

LASERGUARD & LASERGUARD AIR

With LaserGuard and LaserGuard Air, we are expanding the Guardian welding helmet family with the latest models. Designed for both laser and arc welding, they offer solid performance for demanding environments. Combined with a modern design, they provide a reliable solution for everyday welding tasks.

Whether you're working with high-intensity laser or traditional arc welding, they deliver superior protection and visibility.



Customer benefits



Laser Welding – Smart. Clean. Efficient.

Laser welding ensures high-speed, low-distortion joints with excellent quality and minimal rework. The hybrid laser technology adds flexibility and precision to the process. LaserGuard is suitable for both handheld laser welding and conventional arc welding.



Grind Mode – Ready for Every Step

Our laser helmet features a dedicated Grind Mode, activated via an external switch. This allows users to switch quickly and safely between welding and grinding tasks without removing the helmet. It ensures continuous protection, saves time, and supports a more efficient workflow.



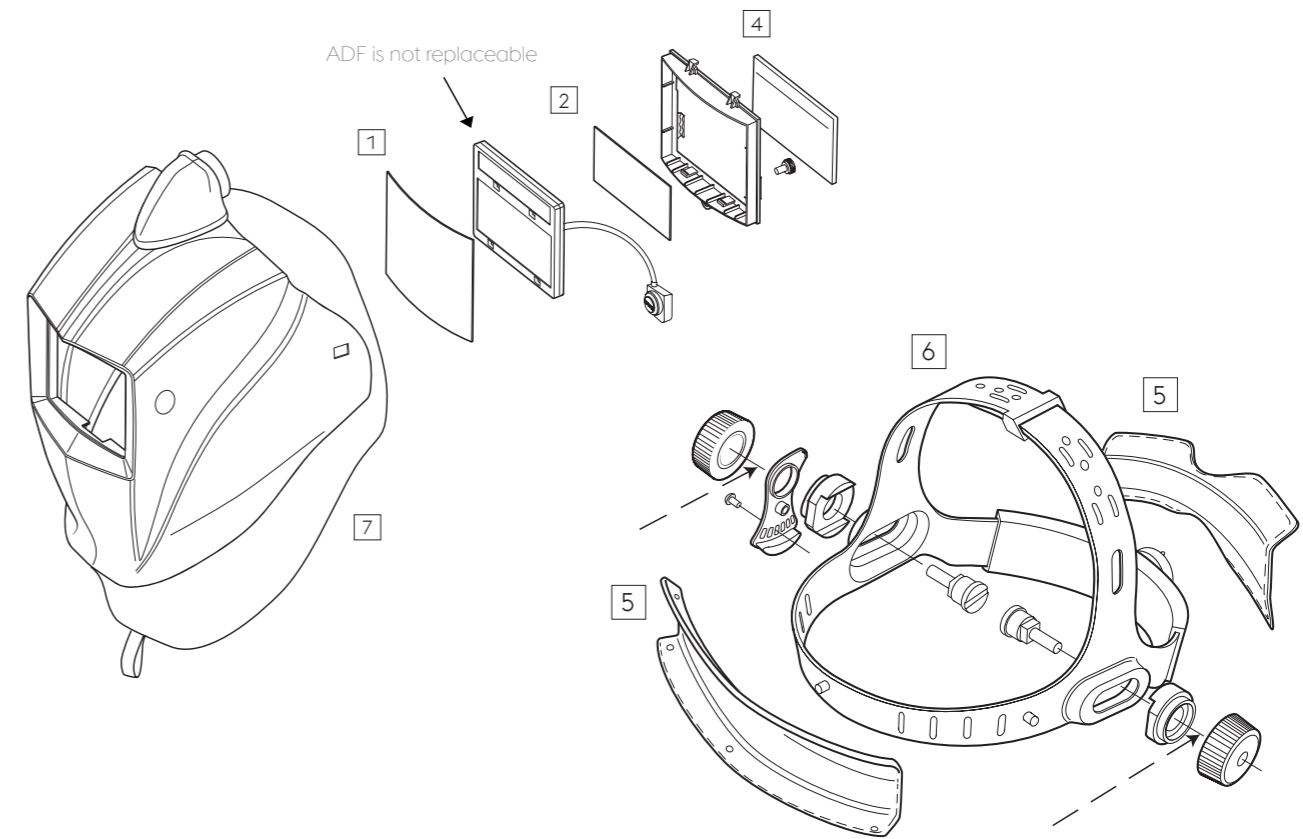
True Colour Technology

See the weld zone in stunning clarity. Our True Colour Technology reduces blue light transmission, giving you a natural, high-contrast view of the arc and workpiece. This means better precision, less eye strain, and faster inspection—so you work smarter and safer.





Mix it. Match it. Breathe Easy.

The Mix-and-Match air is fully compatible with all our fresh air systems, ensuring maximum safety, comfort, and adaptability. LaserGuard is designed with modular flexibility in mind—allowing users to combine components effortlessly for a perfect fit and function.



LASERGUARD

Features	LaserGuard	LaserGuard Air
Helmet		
Open state / Shade range	4/5-8/9-13	
ADF Shade Modes	External grind mode button	
Display - ISO Certification	V1	
Display Colour	True Colour Technology	
Viewing Area	98 x 53 mm	
Delay functions	0,1-0,9 s	
Certification	ISO 16321-2:2021; EN207:2017	
Laser protection (ADF/Shell)	1000-1100 D LB7 IR LB8 / 1000-1100 D LB6 IR LB8	
Compatible with PAPR Systems; PPE Category	<ul style="list-style-type: none"> » Guardian Air; TH3 P R SL » Evolution Air; TH3 P R SL / TH3 A1B1E1 P R SL » Supplied Air; Class 4A (EN 14594:2018) 	

PART LIST

No.	Description	Art. No.	No.	Description	Art. No.
1	Front Cover Lens	32423	5	Sweatband (2pcs. front and rear)	32416
2	Inner lens LaserGuard	95652	6	Headgear Guardian50, 62	32406
4	Dioptr 1.0	32444	7	Face-seal (for all Guardian Air)	57182
4	Dioptr 1.5	32445	*	Battery ADF CR2450	32517
4	Dioptr 2.0	32452			
4	Dioptr 2.5	32456			

* not in illustration

PACKAGING & SHIPMENT

Product name	Packaging units	Art. No.
LaserGuard	6 helmets	89572
LaserGuard Air	in 1 carton unmixed	89570