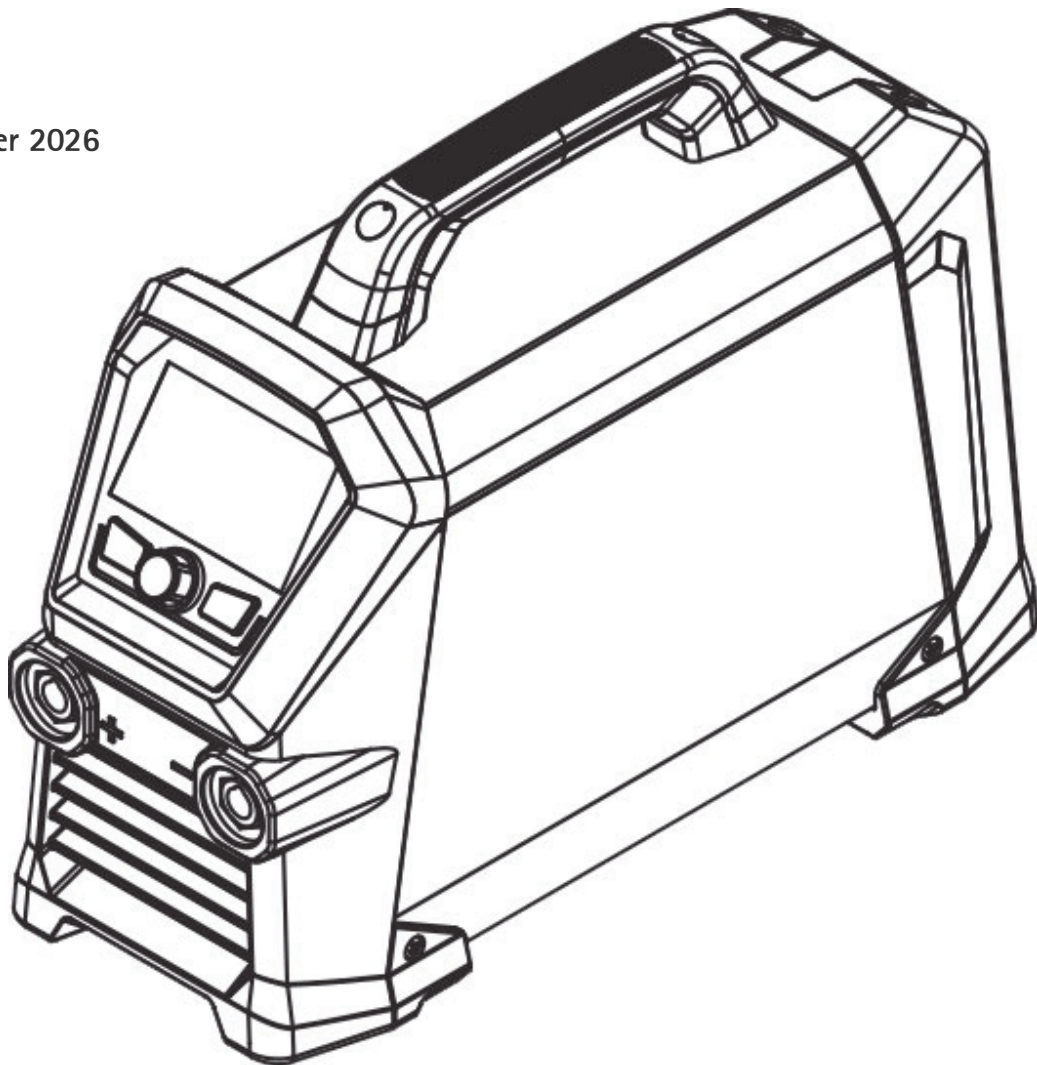


Lasting Connections

CORE 185 MMA



reddot winner 2026



ENGLISH.....	7
ITALIANO.....	61
DEUTSCH.....	115
FRANÇAIS.....	169
ESPAÑOL.....	223

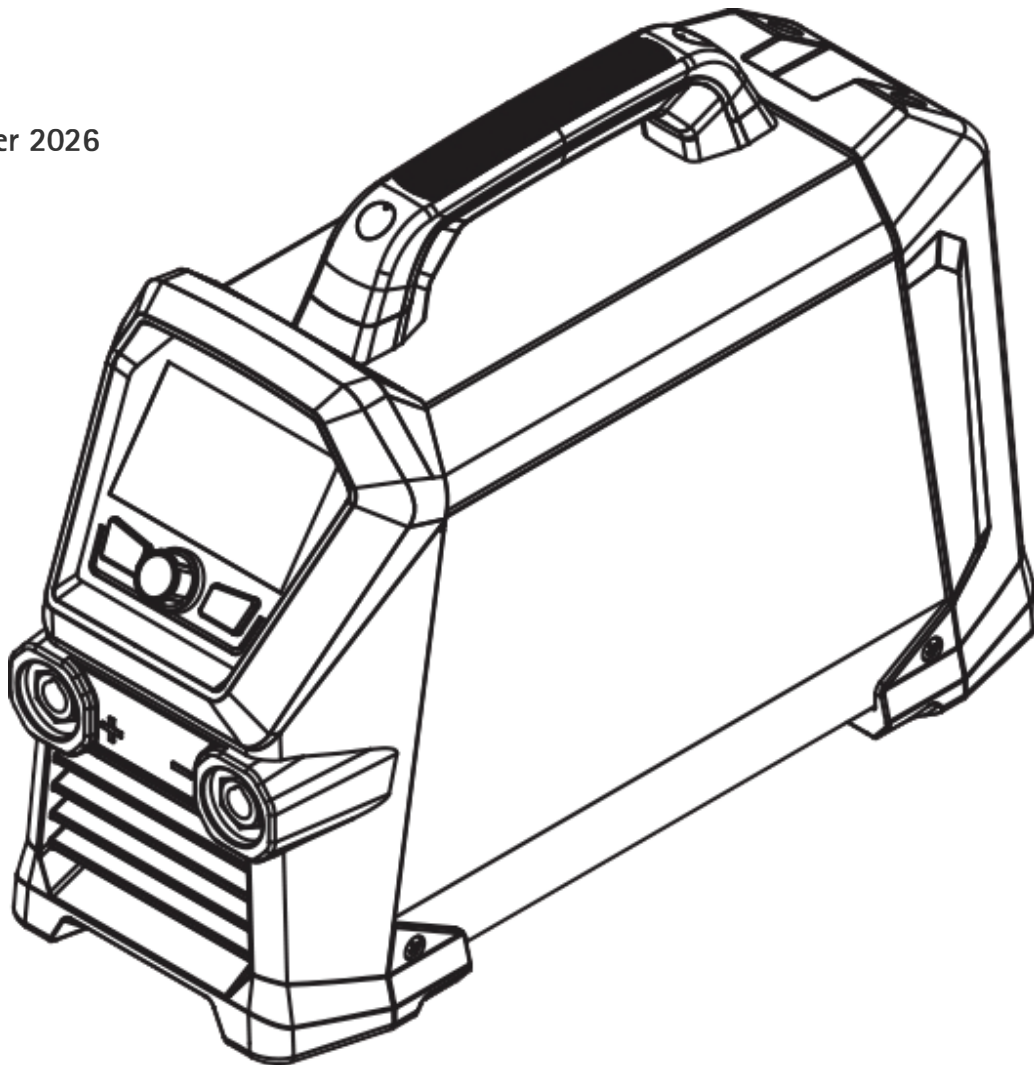
Lasting Connections

CORE 185 MMA

USER MANUAL



reddot winner 2026





91.08.607
03/11/2025
Rev.A



CORE 185 MMA

UKCA - DECLARATION OF CONFORMITY

The builder
voestalpine Böhler Welding Arc Technology S.r.l.
Via Palladio, 19 - 35019 Onara di Tombolo (PD) - ITALY
Tel. +39 049 9413/111 - Fax +39 049 9413/311 - www.voestalpine.com/welding

EN

declares under its sole responsibility that the following product:

CORE 185 MMA **55.22.002**

is in conformity with the relevant UK Statutory Instruments (and their amendments):

2016 No. 1091 Electromagnetic Compatibility Regulations 2016

2016 No. 1101 Electrical Equipment (Safety) Regulations 2016

2012 No. 3032 The Restriction of the Use of Certain Hazardous Substances in Electrical and Electronic Equipment Regulations 2012

2021 No. 745 The Ecodesign for Energy-Related Products and Energy Information Regulations 2021

References to the relevant designated standards used or references to the other technical specifications in relation to which conformity is declared:

EN 50445:2008

EN IEC 63000:2018

EN IEC 60974-1/A1:2019 WELDING POWER SOURCE

EN 60974-10/A1:2015 ELECTROMAGNETIC COMPATIBILITY REQUIREMENTS

The documentation certifying compliance with the directives will be kept available for inspection at the aforementioned manufacturer.

Any operation or modification that has not been previously authorized by voestalpine Böhler Welding Arc Technology S.r.l. will invalidate this certificate.

Onara di Tombolo, 03/11/2025

voestalpine Böhler Welding Arc Technology S.r.l.



Mirco Frasson **Pawel Dawid Lipinski**

Managing Directors

EU DECLARATION OF CONFORMITY

EN

The builder
voestalpine Böhler Welding Arc Technology S.r.l.
Via Palladio, 19 - 35019 Onara di Tombolo (PD) - ITALY
Tel. +39 049 9413/111 - Fax +39 049 9413/311 - www.voestalpine.com/welding

declares under its sole responsibility that the following product:

CORE 185 MMA 55.22.002

conforms to the EU directives:

2014/35/EU LOW VOLTAGE DIRECTIVE

2014/30/EU EMC DIRECTIVE

2011/65/EU RoHS DIRECTIVE

2019/1784/EU EcoDesign

2009/125/EU EcoDesign

and that following harmonized standards have been duly applied:

EN IEC 60974-1/A1:2019 WELDING POWER SOURCE

EN 60974-10/A1:2015 ELECTROMAGNETIC COMPATIBILITY REQUIREMENTS

EN 50445:2008

EN IEC 63000:2018

The documentation certifying compliance with the directives will be kept available for inspection at the aforementioned manufacturer.

Any operation or modification that has not been previously authorized by voestalpine Böhler Welding Arc Technology S.r.l. will invalidate this certificate.

Onara di Tombolo, 03/11/2025

voestalpine Böhler Welding Arc Technology S.r.l.



Mirco Frasson **Pawel Dawid Lipinski**

Managing Directors

INDEX

1. WARNING LABEL	9
1.1 Protection from electrical shock.....	9
1.2 Protection against fumes and gases.....	9
1.3 User's and other persons' protection.....	9
1.4 Prevention when using gas cylinders.....	10
1.5 Electromagnetic fields and interferences.....	10
1.6 Fire/explosion prevention.....	10
2. WARNING	11
2.1 Work environment.....	11
2.2 User's and other persons' protection.....	12
2.3 Protection against fumes and gases.....	13
2.4 Fire/explosion prevention.....	13
2.5 Prevention when using gas cylinders.....	13
2.6 Protection from electrical shock.....	14
2.7 Electromagnetic fields and interferences.....	14
2.8 IP Protection rating.....	15
2.9 Disposal.....	15
3. INSTALLATION	16
3.1 Lifting, transport & unloading.....	16
3.2 Positioning of the equipment.....	16
3.3 Connection.....	16
3.4 Installation.....	17
4. SYSTEM PRESENTATION	19
4.1 Rear panel.....	19
4.2 Sockets panel.....	19
4.3 Front control panel.....	20
5. EQUIPMENT USE	22
5.1 Main Screen.....	22
5.2 MMA process main screen.....	22
5.3 Selecting synergy parameters.....	23
5.4 Pulsed MMA process main screen.....	25
5.5 TIG Lift process main screen.....	26
5.6 TIG LIFT spot welding process main screen.....	26
5.7 Programs screen (JOB POINT).....	27
5.8 LED bar.....	28
5.9 Adaptive maintenance.....	29
6. SETUP	30
7. MAINTENANCE	35
7.1 Carry out the following periodic checks on the power source.....	35
7.2 Responsibility.....	35
8. ALARM CODES	36
9. TROUBLESHOOTING	37
10. OPERATING INSTRUCTIONS	38
10.1 Manual Metal Arc welding (MMA).....	38
10.2 TIG welding (continuous arc).....	39
11. TECHNICAL SPECIFICATIONS	41
12. RATING PLATE	43
13. MEANING RATING PLATE	44
14. DIAGRAM	45
15. SPARE PARTS LIST	46
16. ACCESSORIES	49
17. INSTALLATION KIT/ACCESSORIES	50

SYMBOLS



Warning



Prohibitions



Mandatory



General conditions

1. WARNING LABEL



1.1 Protection from electrical shock



Electric shocks can kill you.

- Avoid touching live parts both inside and outside the welding system while this is active (torches, guns, earth cables, electrodes, wires, rollers and spools are electrically connected to the welding circuit).
- Make sure that the welding system and the welder are electrically isolated by using dry bases and floors that are adequately isolated from earth.
- Ensure the system is connected correctly to a socket and a power source equipped with an earth conductor.
- Do not touch two torches or two electrode holders at the same time.
- If you feel an electric shock, interrupt the welding operations immediately.



The arc striking and stabilizing device is designed for manual or mechanically guided operation.



Increasing the length of torch or welding cables more than 8 m will increase the risk of electric shock.

1.2 Protection against fumes and gases



Fumes, gases and powders produced during the welding process can be noxious for your health.

Under certain circumstances, the fumes caused by welding can cause cancer or harm the foetus of pregnant women.

- Keep your head away from any welding gas and fumes.
- Provide proper ventilation, either natural or forced, in the work area.
- In case of poor ventilation, use masks and breathing apparatus.
- In case of welding in extremely small places the work should be supervised by a colleague standing nearby outside.
- Do not use oxygen for ventilation.
- Ensure that the fumes extractor is working by regularly checking the quantity of harmful exhaust gases versus the values stated in the safety regulations.
- The quantity and the danger level of the fumes depends on the parent metal used, the filler material and on any substances used to clean and degrease the pieces to be welded. Follow the manufacturer's instructions together with the instructions given in the technical data sheets.
- Do not perform welding operations near degreasing or painting stations.
- Position gas cylinders outdoors or in places with good ventilation.

1.3 User's and other persons' protection



The welding process is a noxious source of radiation, noise, heat and gas emissions.

Position a fire-retardant shield to protect the surrounding welding area from rays, sparks and incandescent slags.

Advise any person in the area of welding not to stare at the arc or at the incandescent metal and to get an adequate protection.



Avoid touching items that have just been welded: the heat could cause serious burning or scorching.

Follow all the precautions described above also in all operations carried out after welding since slag may detach from the items while they are cooling off.



Wear masks with side face guards and a suitable protection filter (at least NR10 or above) for the eyes.

1.4 Prevention when using gas cylinders



Inert gas cylinders contain pressurized gas and can explode if the minimum safe conditions for transport, storage and use are not ensured.

- Cylinders must be secured in a vertical position to a wall or other supporting structure, with suitable means so that they cannot fall or accidentally hit anything else.
- Screw the cap on to protect the valve during transport, commissioning and at the end of any welding operation.
- Do not expose cylinders to direct sunlight, sudden changes of temperature, too high or extreme temperatures. Do not expose cylinders to temperatures too low or too high.
- Keep cylinders away from naked flames, electric arcs, torches or electrode guns and incandescent material sprayed by welding.
- Keep cylinders away from welding circuits and electrical circuits in general.
- Keep your head away from the gas outlet when opening the cylinder valve.
- Always close the cylinder valve at the end of the welding operations.
- Never perform welding operations on a pressurized gas cylinder.
- A compressed air cylinder must never be directly coupled to the machine pressure reducer! Pressure might exceed the capacity of the reducer which could consequently explode!

1.5 Electromagnetic fields and interferences



The current passing through the internal and external system cables creates an electromagnetic field in the proximity of the welding cables and the equipment itself.

- Electromagnetic fields can affect the health of people who are exposed to them for a long time (the exact effects are still unknown).
- Electromagnetic fields can interfere with some equipment like pacemakers or hearing aids.
- Persons fitted with pacemakers must consult their doctor before undertaking arc welding operations.

1.6 Fire/explosion prevention



The welding process may cause fires and/or explosions.

- Clear the work area and the surrounding area from any flammable or combustible materials or objects.
- Flammable materials must be at least 11 metres (35 feet) from the welding area or they must be suitably protected.
- Sparks and incandescent particles might easily be sprayed quite far and reach the surrounding areas even through minute openings. Pay particular attention to keep people and property safe.
- Do not perform welding operations on or near containers under pressure.
- Do not perform welding or cutting operations on closed containers or pipes. Pay particular attention during welding operations on pipes or containers even if these are open, empty and have been cleaned thoroughly. Any residue of gas, fuel, oil or similar materials might cause an explosion.
- Do not weld in places where explosive powders, gases or vapours are present.
- Do not cut in places where explosive powders, gases or vapours are present.
- When you finish welding, check that the live circuit cannot accidentally come in contact with any parts connected to the earth circuit.
- Position a fire-fighting device or material near the work area.

2. WARNING



Before performing any operation on the machine, make sure that you have thoroughly read and understood the contents of this booklet. Do not perform modifications or maintenance operations which are not prescribed. Do consult qualified personnel for any doubt or problem concerning the use of the machine, even if not described herein.

Do not perform modifications or maintenance operations which are not prescribed. The manufacturer cannot be held responsible for damages to persons or property caused by misuse or non-application of the contents of this booklet by the user.

The operating instructions must always be at hand wherever the device is being used. In addition to the operating instructions, attention must also be paid to any generally applicable and local regulations regarding accident prevention and environmental protection.

voestalpine Böhler Welding Arc Technology S.r.l. reserves the right to modify this booklet at any time without notice.

All rights of translation and total or partial reproduction by any means whatsoever (including photocopy, film, and microfilm) are reserved and reproduction is prohibited without the explicit written consent of voestalpine Böhler Welding Arc Technology S.r.l.

The directions provided herewith are of vital importance and therefore necessary to ensure the warranties.

The manufacturer accepts no liability in case of misuse or non-application of the directions by the users.



All persons involved in commissioning, operating, maintaining and servicing the device must:

- be suitably qualified
- have sufficient knowledge of welding
- read and follow these operating instructions carefully

Please consult qualified personnel if you have any doubts or difficulties in using the equipment.

2.1 Work environment



All equipment shall be used exclusively for the operations for which it was designed, in the ways and ranges stated on the rating plate and/or in this booklet, according to the national and international directives regarding safety. Other uses than the one expressly declared by the manufacturer shall be considered totally inappropriate and dangerous and in this case the manufacturer disclaims all responsibility.



This unit must be used for professional applications only, in industrial environments. The manufacturer will accept no responsibility for any damages caused by use in domestic environments.



The equipment must be used in environments with a temperature between -10°C and +40°C (between +14°F and +104°F).

The equipment must be transported and stored in environments with a temperature between -25°C and +55°C (between -13°F and 131°F).

The equipment must be used in environments free from dust, acid, gas or any other corrosive substances.

The equipment shall not be used in environments with a relative humidity higher than 50% at 40°C (104°F).

The equipment shall not be used in environments with a relative humidity higher than 90% at 20°C (68°F).

The system must not be used at an higher altitude than 2,000 metres (6,500 feet) above sea level.



Do not use this machine to defrost pipes.

Do not use this equipment to charge batteries and/or accumulators.

Do not use this equipment to jump-start engines.

2.2 User's and other persons' protection



The welding process is a noxious source of radiation, noise, heat and gas emissions. Position a fire-retardant shield to protect the surrounding welding area from rays, sparks and incandescent slags. Advise any person in the area of welding not to stare at the arc or at the incandescent metal and to get an adequate protection.



Wear protective clothing to protect your skin from the arc rays, sparks or incandescent metal. Clothes must cover the whole body and must be:

- intact and in good conditions
- fireproof
- insulating and dry
- well-fitting and without cuffs or turn-ups



Always use regulation shoes that are strong and ensure insulation from water.



Always use regulation gloves ensuring electrical and thermal insulation.



Wear masks with side face guards and a suitable protection filter (at least NR10 or above) for the eyes.



Always wear safety goggles with side guards, especially during the manual or mechanical removal of welding slag.



Do not wear contact lenses!



Use headphones if dangerous noise levels are reached during the welding. If the noise level exceeds the limits prescribed by law, delimit the work area and make sure that anyone getting near it is protected with headphones or earphones.



Always keep the side covers closed while welding. The system must not be modified in any way.



Avoid touching items that have just been welded: the heat could cause serious burning or scorching. Follow all the precautions described above also in all operations carried out after welding since slag may detach from the items while they are cooling off.



Check that the torch is cold before working on or maintaining it.



Ensure the cooling unit is switched off before disconnecting the pipes of the cooling liquid. The hot liquid coming out of the pipes might cause burning or scorching.



Keep a first aid kit ready for use.
Do not underestimate any burning or injury.



Before leaving work, make the area safe, in order to avoid accidental damage to people or property.

2.3 Protection against fumes and gases



Fumes, gases and powders produced during the welding process can be noxious for your health.

Under certain circumstances, the fumes caused by welding can cause cancer or harm the foetus of pregnant women.

- Keep your head away from any welding gas and fumes.
- Provide proper ventilation, either natural or forced, in the work area.
- In case of poor ventilation, use masks and breathing apparatus.
- In case of welding in extremely small places the work should be supervised by a colleague standing nearby outside.
- Do not use oxygen for ventilation.
- Ensure that the fumes extractor is working by regularly checking the quantity of harmful exhaust gases versus the values stated in the safety regulations.
- The quantity and the danger level of the fumes depends on the parent metal used, the filler material and on any substances used to clean and degrease the pieces to be welded. Follow the manufacturer's instructions together with the instructions given in the technical data sheets.
- Do not perform welding operations near degreasing or painting stations.
- Position gas cylinders outdoors or in places with good ventilation.

2.4 Fire/explosion prevention



The welding process may cause fires and/or explosions.

- Clear the work area and the surrounding area from any flammable or combustible materials or objects.
- Flammable materials must be at least 11 metres (35 feet) from the welding area or they must be suitably protected.
- Sparks and incandescent particles might easily be sprayed quite far and reach the surrounding areas even through minute openings. Pay particular attention to keep people and property safe.
- Do not perform welding operations on or near containers under pressure.
- Do not perform welding or cutting operations on closed containers or pipes. Pay particular attention during welding operations on pipes or containers even if these are open, empty and have been cleaned thoroughly. Any residue of gas, fuel, oil or similar materials might cause an explosion.
- Do not weld in places where explosive powders, gases or vapours are present.
- When you finish welding, check that the live circuit cannot accidentally come in contact with any parts connected to the earth circuit.
- Position a fire-fighting device or material near the work area.

2.5 Prevention when using gas cylinders



Inert gas cylinders contain pressurized gas and can explode if the minimum safe conditions for transport, storage and use are not ensured.

- Cylinders must be secured in a vertical position to a wall or other supporting structure, with suitable means so that they cannot fall or accidentally hit anything else.
- Screw the cap on to protect the valve during transport, commissioning and at the end of any welding operation.
- Do not expose cylinders to direct sunlight, sudden changes of temperature, too high or extreme temperatures. Do not expose cylinders to temperatures too low or too high.
- Keep cylinders away from naked flames, electric arcs, torches or electrode guns and incandescent material sprayed by welding.
- Keep cylinders away from welding circuits and electrical circuits in general.
- Keep your head away from the gas outlet when opening the cylinder valve.
- Always close the cylinder valve at the end of the welding operations.
- Never perform welding operations on a pressurized gas cylinder.
- A compressed air cylinder must never be directly coupled to the machine pressure reducer! Pressure might exceed the capacity of the reducer which could consequently explode!

2.6 Protection from electrical shock



Electric shocks can kill you.

- Avoid touching live parts both inside and outside the welding system while this is active (torches, guns, earth cables, electrodes, wires, rollers and spools are electrically connected to the welding circuit).
- Make sure that the welding system and the welder are electrically isolated by using dry bases and floors that are adequately isolated from earth.
- Ensure the system is connected correctly to a socket and a power source equipped with an earth conductor.
- Do not touch two torches or two electrode holders at the same time.
- If you feel an electric shock, interrupt the welding operations immediately.



The arc striking and stabilizing device is designed for manual or mechanically guided operation.

2.7 Electromagnetic fields and interferences



Persons fitted with pacemakers must consult their doctor before undertaking arc welding operations.



The current passing through the internal and external system cables creates an electromagnetic field in the proximity of the welding cables and the equipment itself.

- Electromagnetic fields can affect the health of people who are exposed to them for a long time (the exact effects are still unknown).
- Electromagnetic fields can interfere with some equipment like pacemakers or hearing aids.

2.7.1 EMC classification in accordance with: EN 60974-10/A1:2015.



Class B equipment complies with electromagnetic compatibility requirements in industrial and residential environments, including residential locations where the electrical power is provided by the public low-voltage supply system.



Class A equipment is not intended for use in residential locations where the electrical power is provided by the public low-voltage supply system. There may be potential difficulties in ensuring electromagnetic compatibility of class A equipment in those locations, due to conducted as well as radiated disturbances.

For more informations, check the chapter: RATING PLATE or TECHNICAL SPECIFICATIONS.

2.7.2 Installation, use and area examination

This equipment is manufactured in compliance with the requirements of the harmonized standard EN 60974-10/A1:2015 and is identified as "CLASS A" equipment. This unit must be used for professional applications only, in industrial environments. The manufacturer will accept no responsibility for any damages caused by use in domestic environments.



The user must be an expert in the activity and as such is responsible for installation and use of the equipment according to the manufacturer's instructions. If any electromagnetic interference is noticed, the user must solve the problem, if necessary with the manufacturer's technical assistance.



In any case electromagnetic interference problems must be reduced until they are not a nuisance any longer.



Before installing this equipment, the user must evaluate what electromagnetic problems it might cause in the surrounding area, with specific regard to the health of persons nearby, pace-maker and hearing aid users, for example.

2.7.3 Mains power supply requirements

The high current draw of high-power equipment can affect the quality of mains electrical energy. Connection restrictions or requirements regarding maximum permissible mains impedance (Z_{max}) or minimum supply capacity (S_{sc}) at the point of interface with the public grid (point of common coupling, PCC) may apply for certain types of equipment (see technical data). In this case it is the responsibility of the installer or user of the equipment to ensure, by consultation with the distribution network operator if necessary, that the equipment may be connected. In case of interference, it may be necessary to take further precautions like the filtering of the mains power supply.

It is also necessary to consider the possibility of shielding the power supply cable.

For more informations, check the chapter: TECHNICAL SPECIFICATIONS.

2.7.4 Precautions regarding cables

To minimise the effects of electromagnetic fields follow the following instructions:

- Never coil the cables around your body.
- Do not place your body in between the earth and power cables (keep both on the same side).
- The cables must be kept as short as possible, positioned as close as possible to each other and laid at or approximately at ground level.
- Position the equipment at some distance from the welding area.
- The cables must be kept away from any other cables.

2.7.5 Earthing connection

The earth connection of all the metal components in the welding (cutting) equipment and in the close area must be taken in consideration. The earthing connection must be made according to the local regulations.

2.7.6 Earthing the workpiece

When the workpiece is not earthed for electrical safety reasons or due to its size and position, the earthing of the workpiece may reduce the emissions. It is important to remember that the earthing of the workpiece should neither increase the risk of accidents for the user nor damage other electric equipment. The earthing must be made according to the local regulations.

2.7.7 Shielding

The selective shielding of other cables and equipment present in the surrounding area may reduce the problems due to electromagnetic interference.

The shielding of the entire welding equipment can be taken in considered for special applications.

2.8 IP Protection rating



IP23S

- Enclosure protected against access to dangerous parts by fingers and against ingress of solid bodies objects with diameter equal or greater than 12.5 mm.
- Enclosure protected against rain at an angle of 60°.
- Enclosure protected against harmful effects due to the ingress of water when the moving parts of the equipment are not operating.

2.9 Disposal



Do not dispose of electrical equipment together with normal waste!

In conformity to European Directive 2012/19/EU on Waste Electrical and Electronic Equipment and its implementation according to national law, electrical equipment must be collected separately and disposed of through an authorised recovery and disposal centre at the end of its life cycle. The owner of the equipment is required to identify authorised collection centres on the basis of the information provided by Local Authorities. By applying this European Directive you will improve the environment and human health!

» For further information, refer to the website.

3. INSTALLATION



Installation should be performed only by expert personnel authorised by the manufacturer.



During installation, ensure that the power source is disconnected from the mains.



The multiple connection of power sources (series or parallel) is prohibited.

3.1 Lifting, transport & unloading

- The equipment is supplied with an extendible belt which can be used to move it in the hand or on the shoulder.
- The equipment is not equipped with specific lifting elements.
- Use a fork lift truck paying attention during operations in order to prevent the generator from tipping over.



Do not underestimate the weight of the equipment: see technical specifications.

Do not move or position the suspended load above persons or things.

Do not drop or apply undue pressure on the equipment.

3.2 Positioning of the equipment



Keep to the following rules:

- Provide easy access to the equipment controls and connections.
 - Do not position the equipment in very small spaces.
 - Do not place the equipment on surfaces with inclination exceeding 10° from to the horizontal plane.
 - Position the equipment in a dry, clean and suitably ventilated place.
 - Protect the equipment against pouring rain and sun.
- » Consult the "Prevention when using gas cylinders" section.

3.3 Connection



The equipment is provided with a power supply cable for connection to the mains.

The system can be powered by:

- single-phase 115V
- single-phase 230V

Operation of the equipment is guaranteed for voltage tolerances up to $\pm 15\%$ with respect to the rated value.



To prevent injury to persons or damage to the equipment, the selected mains voltage and fuses must be checked BEFORE connecting the machine to the mains. Also check that the cable is connected to a socket provided with earth contact.



The equipment can be powered by a generating set provided it guarantees a stable power supply voltage of $\pm 15\%$ with respect to the rated voltage declared by the manufacturer, under all possible operating conditions including at maximum rated power. Normally we recommend the use of generating sets with twice rated power of a single phase power source or 1.5 times that of a three-phase power source. The use of electronic control type generating sets is recommended.



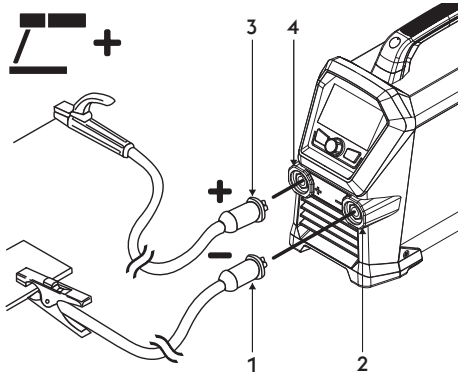
In order to protect users, the equipment must be correctly earthed. The power supply voltage is provided with an earth lead (yellow - green), which must be connected to a plug provided with earth contact. This yellow/green wire shall NEVER be used with other voltage conductors. Verify the existence of the earthing in the equipment used and the good condition of the sockets. Install only certified plugs according to the safety regulations.



The electrical connections must be made by skilled technicians with the specific professional and technical qualifications and in compliance with the regulations in force in the country where the equipment is installed.

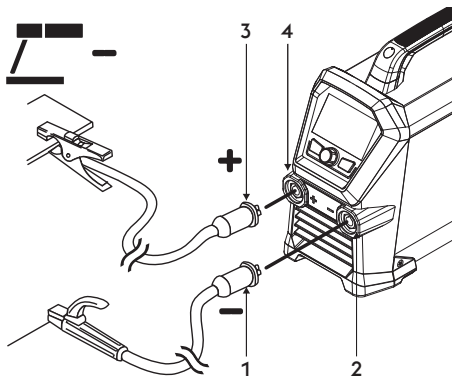
3.4 Installation

3.4.1 Connection for MMA welding



- 1 Earth clamp connector
- 2 Negative power socket (-)
- 3 Electrode holder clamp connector
- 4 Positive power socket (+)

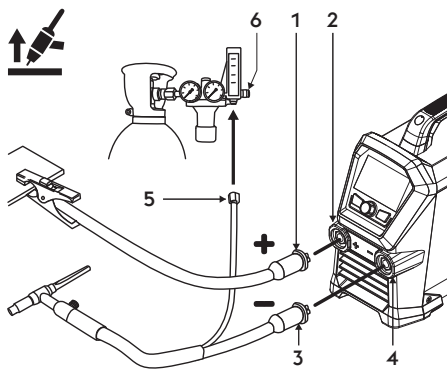
- ▶ Connect the earth clamp to the negative socket (-) of the power source. Insert the plug and turn clockwise until all parts are secured.
- ▶ Connect the electrode holder to the positive socket (+) of the power source. Insert the plug and turn clockwise until all parts are secured.



- 1 Electrode holder clamp connector
- 2 Negative power socket (-)
- 3 Earth clamp connector
- 4 Positive power socket (+)

- ▶ Connect the electrode holder cable connector to the negative (-) socket of the generator. Insert the plug and turn clockwise until all parts are secured.
- ▶ Connect the earth clamp to the positive socket (+) of the power source. Insert the plug and turn clockwise until all parts are secured.

3.4.2 Connection for TIG welding

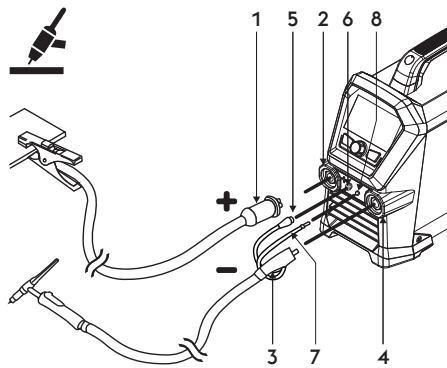


- 1 Earth clamp connector
- 2 Positive power socket (+)
- 3 TIG torch fitting
- 4 Negative power socket (-)
- 5 Gas pipe connector
- 6 Pressure reducer

- ▶ Connect the earth clamp to the positive socket (+) of the power source. Insert the plug and turn clockwise until all parts are secured.
- ▶ Connect the TIG torch coupling to the torch socket of the power source. Insert the plug and turn clockwise until all parts are secured.

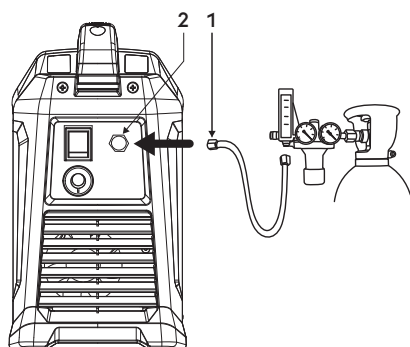
 The protection gas flow can be adjusted using the tap normally found on the torch.

- ▶ Separately connect the torch gas hose connector to the gas main.



- 1 Earth clamp connector
- 2 Positive power socket (+)
- 3 TIG torch fitting
- 4 Torch socket
- 5 Torch signal cable
- 6 Connector
- 7 Torch gas tube
- 8 Connection-union

- ▶ Connect the earth clamp to the positive socket (+) of the power source. Insert the plug and turn clockwise until all parts are secured.
- ▶ Connect the TIG torch connector to the negative socket (-) of the power source. Insert the plug and turn clockwise until all parts are secured.
- ▶ Connect the signal cable of the torch to the appropriate connector.
- ▶ Connect the gas hose of the torch to the appropriate union/connection.

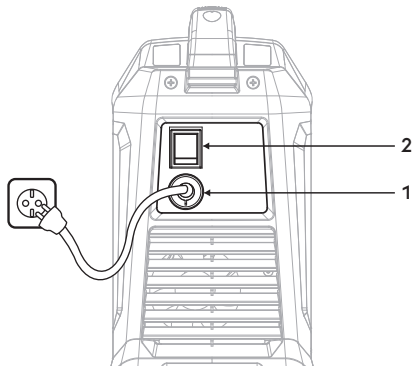


- 1 Gas tube
- 2 Rear gas connection

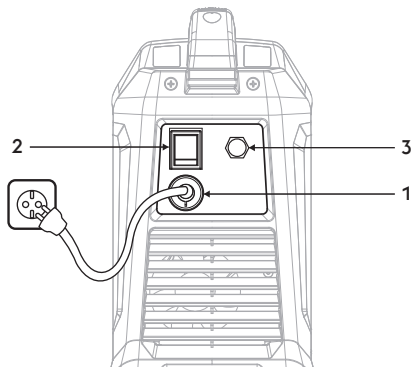
- ▶ Connect the gas hose from the cylinder to the rear gas connection. Adjust the gas flow from 5 to 15 l/min.

4. SYSTEM PRESENTATION

4.1 Rear panel

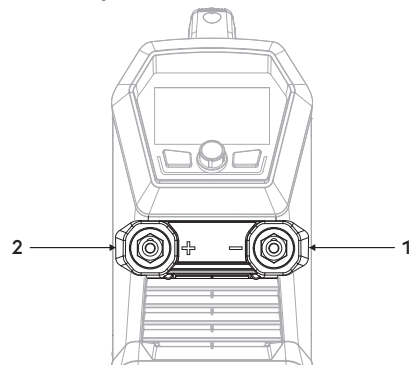


- 1 **Power supply cable**
Connects the system to the mains.
- 2 **Off/On switch**
Turns on electric power.
It has two positions, "O" off, and "I" on.

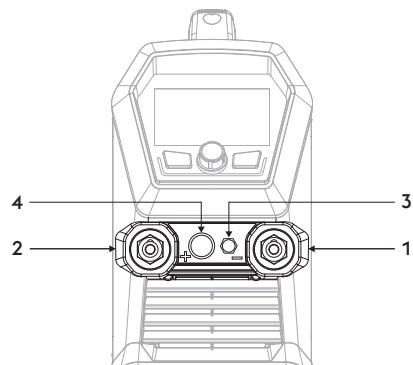


- 1 **Power supply cable**
Connects the system to the mains.
- 2 **Off/On switch**
Turns on electric power.
It has two positions, "O" off, and "I" on.
- 3 **Gas fitting**

4.2 Sockets panel



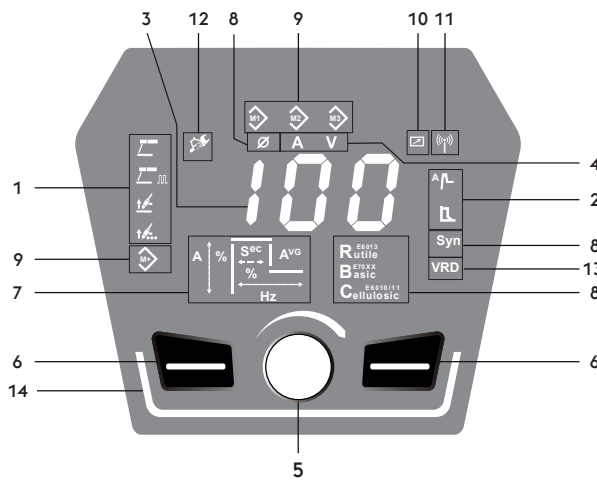
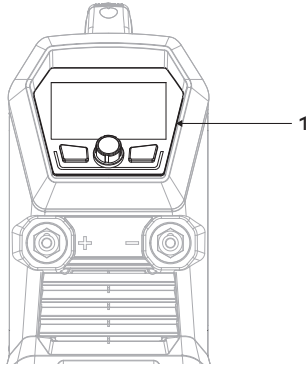
- 1 **Negative power socket (-)**
Process MMA: Connection earth cable
Process TIG: Torch connection
- 2 **Positive power socket (+)**
Process MMA: Connection electrode torch
Process TIG: Connection earth cable



- 1 **Negative power socket (-)**
Process MMA: Connection earth cable
Process TIG: Torch connection
- 2 **Positive power socket (+)**
Process MMA: Connection electrode torch
Process TIG: Connection earth cable
- 3 **Gas fitting**
- 4 **Torch button connection**

4.3 Front control panel

1 Front control panel



1 **Selector of the welding process**
Allows the selection of the welding procedure.

- MMA welding process
- Pulsed MMA welding process
- TIG LIFT welding process
- TIG LIFT spot welding process

2 **Functions**
Let you select the various system functions:

- Hot start
- Arc force

3 **7-segment display**
Allows the general welding machine parameters to be displayed during start-up, settings, current and voltage readings, while welding, and encoding of the alarms.

4 **Measurements selector**
Allows to view the actual welding current or voltage on the display.

- A** Amperes
- V** Volts

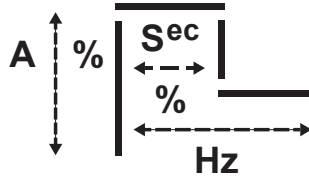
5 **Main adjustment handle.**
Allows the welding current to be continuously adjusted.

6  **Function keys**

Let you select the various system functions:

7 **Welding parameters**

The graph on the panel allows the selection and adjustment of the welding parameters.



EN

8 **Syn** **Material type synergy**

Allows selection of the desired welding mode.

 Electrode diameter synergy

R^{E6013}
utile

B^{E70XX}
asic

C^{E6010/11}
ellulosic

9  **Program storage**

Allows the storage and management of 3 jobs which can be personalised by the operator.

10  **External devices (RC)**

11  **External devices (wireless)**

12  **Maintenance warning**

13 **VRD** **VRD (Voltage Reduction Device)**

Voltage Reduction Device

Allows output voltage to be reduced within the limits set by regulations for use in harsh environments.

Active function (Green)

Default: OFF (icon light off)

Contact the Service Dpt. to request activation instructions (eq-service@voestalpine.com).

14 **LED bars**



System in standby (White)

System switched on and arc ignited (Green)

System in error alarm (Red)

System in warning alarm (Orange) (=25% duty cycle remaining)

System in wireless configuration (Blue)

5. EQUIPMENT USE

5.1 Main Screen



Main Screen

1. Welding process symbol
 - Process selected (Green).
 - Process available (White).
2. Function symbol
 - Function enabled (White).
 - Selection and adjustment of the required parameter (Green.)
3. Selector of the welding process.
4. They allow adjustment of the welding parameters. (press to scroll and select the parameters to change).

Allows the regulation of the welding current. (turn to change the value).

5.2 MMA process main screen



Welding process selection

1. Select the desired process by pressing the button.
2. Process selected (Green).
3. Function symbol
 - Function enabled (White).
 - Selection and adjustment of the required parameter (Green.)
4. They allow adjustment of the welding parameters. (press to scroll and select the parameters to change).

Allows the regulation of the welding current. (turn to change the value).

Welding current

Minimum	Maximum	Default
20 A	Imax	100 A

Parameter setting: Hot start

1. Select the required parameter by pressing the encoder button.
2. Selected function for parameter adjustment (Green).
3. Adjust the value of the selected parameter by rotating the encoder.

Welding parameters

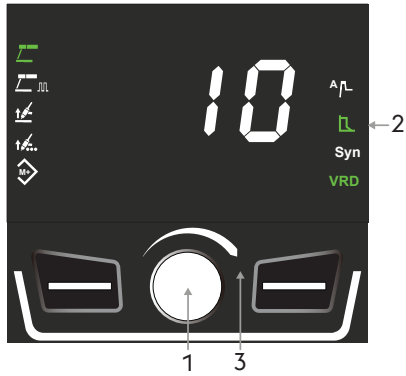
4. Start current.
5. Start time.

Start current

Minimum	Maximum	Default
50%	200%	120%

Start time

Minimum	Maximum	Default
0s	3s	0.5s



Parameter setting: Arc force

1. Select the required parameter by pressing the encoder button.
2. Selected function for parameter adjustment (Green).
3. Adjust the value of the selected parameter by rotating the encoder.

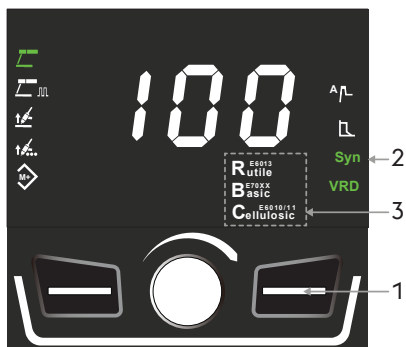
Welding parameters

Arc force

Minimum	Maximum	Default
-10	+10	0

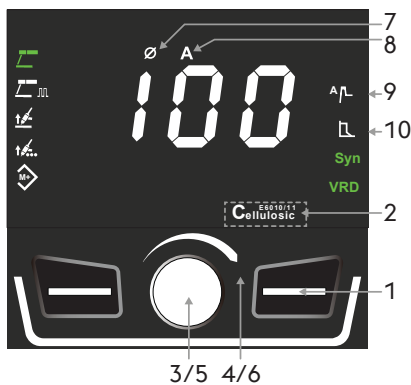
5.3 Selecting synergy parameters

Function only available in the MMA process.



Synergy enabling

1. Press and hold the button for 3 seconds to enable synergy functions.
2. Function enabled (Green).
3. Synergic programs (White).



Parameter setting

1. Press the button to select the desired electrode
 - Ø: active diameter selection.
 - Turn the encoder to select the desired diameter.
 - Welding current adjustment becomes available again after 3 seconds.
2. Select the required program by pressing button..
3. Synergy
4. Press the encoder button to select the electrode diameter parameter.
5. Turn the encoder to select an electrode diameter value.
 - A pre-selection of welding parameter values will be loaded automatically.

Welding parameters can be further adjusted:

6. Press the encoder button to activate adjustment of the desired parameter.
7. Adjust the value of the selected parameter by rotating the encoder.

Welding parameters

8. Electrode diameter synergy.
9. Welding current.
10. Hot start.
11. Arc force.

Rutile electrode

Diameter	Welding current	Hot start	Arc force
2.0	40A	100% 0s	-5
2.5	60A	100% 0s	-5
3.2	100A	100% 0s	-5
4.0	135A	100% 0s	-5

Table of default values

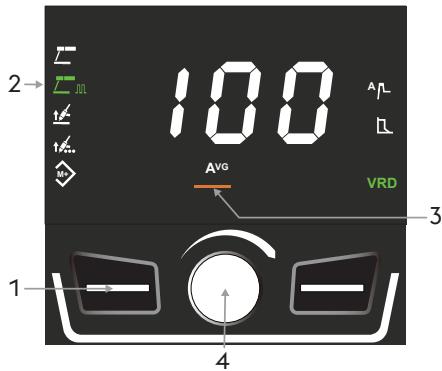
Basic electrode

Diameter	Welding current	Hot start	Arc force
2.0	65A	120% 0,5s	3
2.5	90A	120% 0,5s	3
3.2	130A	120% 0,5s	3
4.0	160A	120% 0,5s	3

Cellulosic electrode

Diameter	Welding current	Hot start	Arc force
2.0	55A	120% 0,5s	7
2.5	75A	120% 0,5s	7
3.2	110A	120% 0,5s	7
4.0	130A	120% 0,5s	7

5.4 Pulsed MMA process main screen

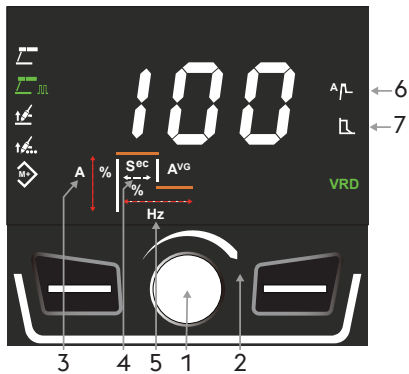


Welding process selection

1. Select the desired process by pressing the button.
2. Process selected (Green).
3. Welding current (average value).
4. Allows the regulation of the welding current.

Welding current

Minimum	Maximum	Default
20 A	I _{max}	100 A



Parameter setting

1. Activate the regulation of the selected parameter by pressing the encoder button.
2. Adjust the value of the selected parameter by rotating the encoder.

Welding parameters

3. Current pulsation.
4. Duty cycle.
5. Pulse frequency.
6. Hot start.
7. Arc force.

Current pulsation

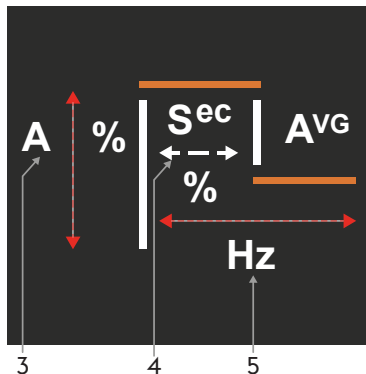
Minimum	Maximum	Default
100%	260%	140%

Duty cycle

Minimum	Maximum	Default
10%	90%	50%

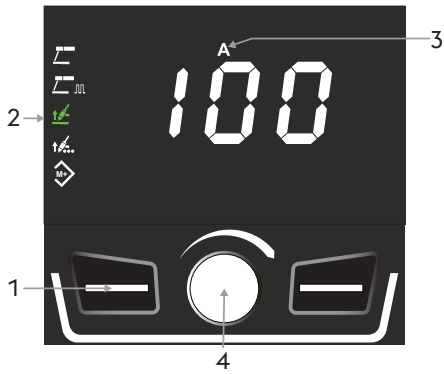
Pulse frequency

Minimum	Maximum	Default
0.2Hz	5Hz	0.2Hz



EN

5.5 TIG Lift process main screen



Welding process selection

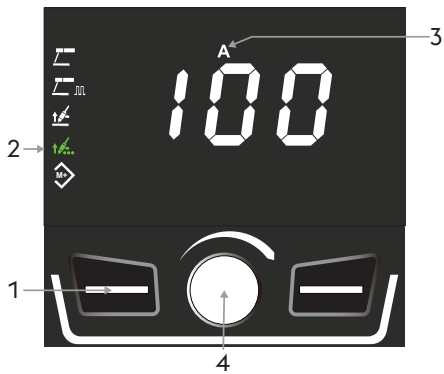
1. Select the desired process by pressing the button.
2. Process selected (Green).
3. Welding current.
4. Allows the regulation of the welding current.

Welding current

Minimum	Maximum	Default
10 A	Imax	100 A

See the setup chapter for parameter settings.

5.6 TIG LIFT spot welding process main screen

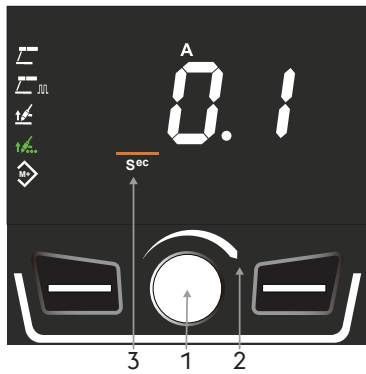


Welding process selection

1. Select the desired process by pressing the button.
2. Process selected (Green).
3. Welding current.
4. Allows the regulation of the welding current.

Welding current

Minimum	Maximum	Default
10 A	Imax	100 A



Parameter setting

1. Activate the regulation of the selected parameter by pressing the encoder button.
2. Adjust the value of the selected parameter by rotating the encoder.

Welding parameters

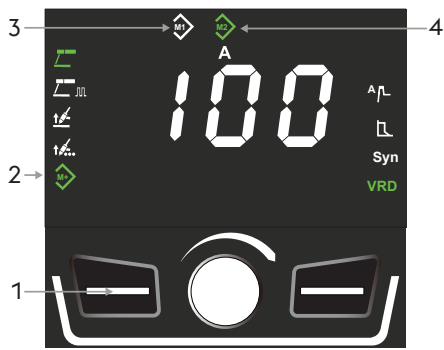
3. Welding time.

Welding time

Minimum	Maximum	Default
0s	60s	0,5s

See the setup chapter for parameter settings.

5.7 Programs screen (JOB POINT)



Main Screen

1. Press and hold the button for 3 seconds.
2. Function enabled (Green).
3. Memory empty (White).
4. Program stored (Green).



Program storage

1. Press the button to select the desired memory slot.
2. Memory empty (White).
3. Press the encoder button to store the welding parameters (3 seconds). The colour of the memory slot icon changes from white to green.



Program retrieval

1. Select the required program by pressing button..
2. Program stored (Green).
3. Changing the welding parameters or changing the welding process is signalled by the colour of the memory slot icon changing to red.
4. Press the encoder button until the slot icon turns green again to restore the initial stored parameters (3 seconds).



Deleting a program

1. Select the required program by pressing button..
2. Program stored (Green).
3. Press the encoder key until the slot icon turns white to delete the job (3 seconds.)

5.8 LED bar



White light LED bar

- ▶ Indicates the presence of voltage at the system's output connectors.
- ▶ System ready to weld.



Green light LED bar

- ▶ Indicates that the system is working and the arc ignited.



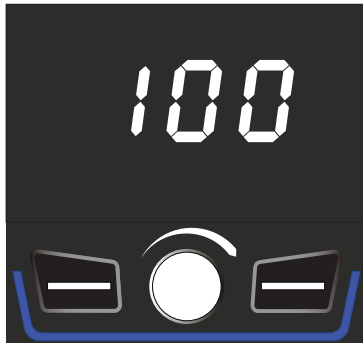
Red light LED bar

- ▶ Indicates the possible intervention of protection devices such as the temperature protection..



Orange light LED bar

- ▶ Indicates that during welding the system has reached 75% of its duty cycle.
- 👉 Momentarily stop welding to prevent the system triggering a thermal alarm.




Blue light LED bar

- ▶ Indicates that the system is connected to a wireless device.

5.9 Adaptive maintenance



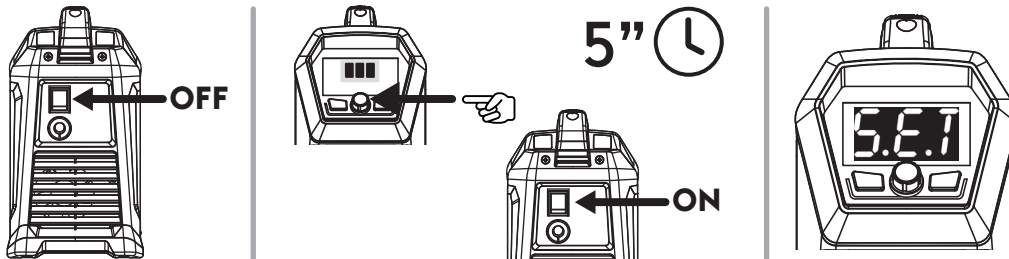
Adaptive maintenance

- ▶ Indicates that the system has already worked with the arc ignited for the set number of hours.
-  Perform ordinary maintenance.
Consult the "Set up" section in your generator manual.

6. SETUP

Permits set-up and adjustment of a series of additional parameters for improved and more accurate control of the welding system.

Entry to set up



- ▶ Set the switch lever to "0" to switch off the generator.
- ▶ Switch on the generator while holding down the encoder key.
- ▶ Press and hold the encoder button for 5 sec.
- ▶ The entry will be confirmed by the writing SEt on the display

Selection and adjustment of the required parameter

- ▶ Rotate the encoder until you display the numerical code for the required parameter.
- ▶ If the encoder key is pressed at this point, the value set for the parameter selected can be displayed and adjusted.

Exit from set up

- ▶ Press the encoder button for 5 seconds to exit setup.

6.9.1 List of set up parameters (TIG)

Pog Post-gas

Permits setting and adjustment of the gas flow at the end of welding.

Minimum	Maximum	Default
0 s	20.0 s	6.0 s

A1 Initial current (%-A)

Allows regulation of the weld starting current.
Allows a hotter or cooler welding pool to be obtained immediately after the arc striking.

Minimum	Maximum	Default
10 %	200 %	25 %

t1 Initial current time

Allows setting of the time for which the initial current is maintained.

Minimum	Maximum	Default
0 s	10 s	0.2 s

t uP Slope-up

Allows you to set a gradual passage between the initial current and the welding current.

Minimum	Maximum	Default
0 s	10.0 s	0.5 s

t dn Slope-down

Allows you to set a gradual passage between the welding current and the final current.

Minimum	Maximum	Default
0s	3s	0.5s

A2 Final current (%-A)

Permits adjustment of the final current.

Minimum	Maximum	Default
10 %	200 %	25 %

t2 Final current time

Makes it possible to set the time for which the final current is maintained.

Minimum	Maximum	Default
0 s	10.0 s	0.2 s

SPo Spot welding

Allows you to enable the "spot welding" process and establish the welding time.
Allows the timing of the welding process.

AcT always active

 Description of functioning with solenoid gas valve.

When using a model with an external gas valve, the gas valve must be opened manually.

- ▶ Touch the workpiece with the electrode to start the pre-gas phase.
- ▶ Arc ignition in Lift mode. Lifting the torch off the workpiece ignites the arc.
- ▶ The arc remains active for the set time.

2T 2 Step

 Description of functioning with solenoid gas valve.

When using a model with an external gas valve, the gas valve must be opened manually.

- ▶ Touch the workpiece with the electrode.
- ▶ Press the torch button to start pre-gas.
- ▶ Arc ignition in Lift mode. Lifting the torch off the workpiece ignites the arc.
- ▶ The arc remains active for the set time.

Minimum	Maximum	Default
0.1 s	60.0 s	0.5 s

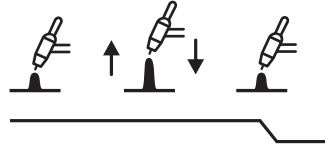
t r t Trigger Tig

AcT always active

 Description of functioning with solenoid gas valve.

When using a model with an external gas valve, the gas valve must be opened manually.

- ▶ Touch the workpiece with the electrode to start the pre-gas phase.
- ▶ Arc ignition in Lift mode. Lifting the torch off the workpiece ignites the arc.
- ▶ Fluctuating the torch extinguishes the arc. Gas continues to flow for the post-gas time.



2T 2 Step

 Description of functioning with solenoid gas valve.

When using a model with an external gas valve, the gas valve must be opened manually.

- ▶ Touch the workpiece with the electrode.
- ▶ Press the torch button to start pre-gas.
- ▶ Arc ignition in Lift mode. Lifting the torch off the workpiece ignites the arc.
- ▶ By releasing the button again, the arc goes out and the gas continues to flow for the post-gas stage.

4T 4 Step

 Description of functioning with solenoid gas valve.

When using a model with an external gas valve, the gas valve must be opened manually.

- ▶ Touch the workpiece with the electrode.
- ▶ Press the torch button to start the pre-gas phase.
- ▶ Arc ignition in Lift mode. Lifting the torch off the workpiece ignites the arc with the pre-set dynamics. The arc remains ignited if the torch button is released.
- ▶ Releasing the button before completion of the dynamics extinguishes the arc immediately.
- ▶ Press the button again to extinguish the arc with the arc extinguishing dynamics. Gas continues to flow for the post-gas time.
- ▶ Releasing the button before the end of the shutdown sequences extinguishes the arc immediately.

6.9.2 Setup parameter list (unit configuration)

di5 Type of measure

Allows the welding current or voltage reading to be set on the display.

Hod Hold Last Parameter

If active, the values of the last welding parameters will be shown on the display for five seconds after the arc is extinguished.

Fn System configuration menu

Allows access to the system configuration menu.

- ▶ Press the encoder button to access the submenu.
- ▶ Turn the encoder to select the desired configuration.
- ▶ Press the encoder button to confirm.
- ▶ The available configurations are as follows.

F1 System configuration

System configuration: F1

- MMA welding process
- TIG LIFT welding process
- Function enabled: Hot start
- Function enabled: Arc force

F2 System configuration

System configuration: F2

- MMA welding process
- TIG LIFT welding process
- TIG LIFT spot welding process
- Function enabled: Hot start
- Function enabled: Arc force

F3 System configuration

System configuration: F3

- MMA welding process
- TIG LIFT welding process
- TIG LIFT spot welding process
- Function enabled: Hot start
- Function enabled: Arc force
- Function enabled: Synergic programs

F4 System configuration

System configuration: F4

- MMA welding process
- Pulsed MMA welding process
- TIG LIFT welding process
- TIG LIFT spot welding process
- Function enabled: Hot start
- Function enabled: Arc force
- Function enabled: Synergic programs

F5 System configuration

System configuration: F5

- MMA welding process
- Pulsed MMA welding process
- TIG LIFT welding process
- TIG LIFT spot welding process
- Function enabled: Hot start
- Function enabled: Arc force
- Function enabled: Programs (JOB POINT)
- Function enabled: Synergic programs

SLP Sleep

If active, the machine switches off after the selected seconds of inactivity.
Set a time value within the range

Value	Inactive time
OFF	Not active
180	180s
300	300s
600	600s
900	900s

Set Adaptive maintenance

If active, illumination of the maintenance symbol on the display indicates that maintenance is recommended.

Consult the "Set up" section in your generator manual.

Value	Function
OFF	Not active
ON	Active
RST	Reset

r5t Reset

Allows you to reset all the parameters to the default values.

- ▶ Press the encoder button to start the procedure.
- ▶ Turn the encoder to the value: ON
- ▶ Press the right function key for 5 seconds.

7. MAINTENANCE



Routine maintenance must be carried out on the system according to the manufacturer's instructions. When the equipment is working, all the access and operating doors and covers must be closed and locked. The system must not be modified in any way. Prevent conductive dust from accumulating near the louvers and over them.



Any maintenance operation must be performed by qualified personnel only. The repair or replacement of any parts in the system by unauthorised personnel will invalidate the product warranty. The repair or replacement of any parts in the system must be carried out only by qualified personnel.



Disconnect the power supply before every operation!

7.1 Carry out the following periodic checks on the power source

7.1.1 System



Clean the power source inside by means of low-pressure compressed air and soft bristle brushes. Check the electric connections and all the connection cables.

7.1.2 For the maintenance or replacement of torch components, electrode holders and/or earth cables:



Check the temperature of the component and make sure that they are not overheated.



Always use gloves in compliance with the safety standards.



Use suitable wrenches and tools.

7.2 Responsibility



Failure to carry out the above maintenance will invalidate all warranties and exempt the manufacturer from any liability. The manufacturer disclaims any responsibility if the user fails to follow these instructions. For any doubts and/or problems do not hesitate to contact your nearest customer service centre.

8. ALARM CODES



ALARM



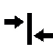

Activation of an alarm or the passing of any critical limit causes a visual signal to appear on the control panel and the immediate shut-down of welding operations.



CAUTION

Exceeding a guard limit causes a visual signal on the control panel but allows the welding operations to continue.

All the alarms and all the guard limits relating to the system are listed below.

 E01	Overtemperature 	 E05	Overcurrent 
 E13	Communication error 	 E36	Torch button pressed during system power-up
 E50	Wire stuck (Automation and robotics) 		

9. TROUBLESHOOTING

System does not switch on

Cause	Solution
» No mains voltage at the socket.	» Check and repair the electrical system as needed. » Use qualified personnel only.
» Faulty plug or cable.	» Replace the faulty component. » Contact the nearest service centre to have the system repaired.
» Line fuse blown.	» Replace the faulty component.
» Faulty on/off switch.	» Replace the faulty component. » Contact the nearest service centre to have the system repaired.
» Faulty electronics.	» Contact the nearest service centre to have the system repaired.

No output power (the system does not weld)

Cause	Solution
» Faulty torch trigger button.	» Replace the faulty component. » Contact the nearest service centre to have the system repaired.
» System overheated (thermal alarm - red LED bar).	» Wait for the system to cool down without switching it off.
» Incorrect earth connection.	» Earth the system correctly. » Read the paragraph "Installation".
» Faulty electronics. (System in standby - white LED bar)	» Contact the nearest service centre to have the system repaired.

Incorrect output power

Cause	Solution
» Incorrect selection in the welding process or faulty selector switch.	» Select the welding process correctly.
» System parameters or functions set incorrectly.	» Reset the system and the welding parameters.
» Faulty potentiometer/encoder for the adjustment of the welding current.	» Replace the faulty component. » Contact the nearest service centre to have the system repaired.
» Mains voltage out of range.	» Connect the system correctly. » Read the paragraph "Connections".
» Faulty electronics.	» Contact the nearest service centre to have the system repaired.

10. OPERATING INSTRUCTIONS

10.1 Manual Metal Arc welding (MMA)

Preparing the edges

To obtain good welding joints it is advisable to work on clean parts, free from oxidations, rust or other contaminating agents.

Choosing the electrode

The diameter of the electrode to be used depends on the thickness of the material, the position, the type of joint and the type of preparation of the piece to be welded.

Electrodes of large diameter obviously require very high currents with consequent high heat supply during the welding.

Type of coating	Property	Use
Rutile	Easy to use	All positions
Acid	High melting speed	Flat
Basic	High quality of joint	All positions
Cellulosic	Better penetration	All positions

Choosing the welding current

The range of welding current related to the type of electrode used is specified by the manufacturer usually on the electrode packaging.

Striking and maintaining the arc

The electric arc is produced by scratching the electrode tip on the workpiece connected to the earth cable and, once the arc has been struck, by rapidly withdrawing the electrode to the normal welding distance.

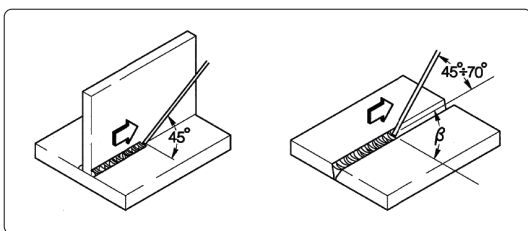
Generally, to improve the arc striking behaviour a higher initial current is given in order to heat suddenly the tip of the electrode and so aid the arc establishing (Hot Start).

Once the arc has been struck, the central part of the electrode starts melting forming tiny globules which are transferred into the molten weld pool on the workpiece surface through the arc stream.

The external coating of the electrode is being consumed and this supplies the shielding gas for the weld pool, ensuring the good quality of the weld.

To stop droplets of molten material short-circuiting the electrode to the weld pool and extinguishing the arc if the electrode accidentally approaches the pool too closely, it is useful to increase welding current (Arc Force) temporarily in order to break a short circuit.

If the electrode sticks to the workpiece, the short circuit current should be reduced to the minimum (antisticking).



Carrying out the welding

Electrode angle depends on the number of runs. The electrode should normally be moved in a weaving motion with pauses at the sides of the bead to avoid an excessive accumulation of filler material at the centre.

Removing the slag

Welding using covered electrodes requires the removal of the slag after each run.

The slag is removed by a small hammer or is brushed away if friable.

10.2 TIG welding (continuous arc)

Description

The TIG (Tungsten Inert Gas) welding process is based on the presence of an electric arc struck between a non-consumable electrode (pure or alloyed tungsten with an approximate melting temperature of 3370 °C) and the workpiece. An inert gas (argon) atmosphere protects the weld pool.

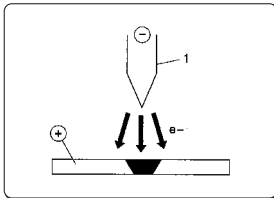
To avoid dangerous inclusions of tungsten in the joint, the electrode must never come in contact with the workpiece; for this reason the welding power source is usually equipped with an arc striking device that generates a high frequency, high voltage discharge between the tip of the electrode and the workpiece. Thus, thanks to the electric spark, ionizing the gas atmosphere, the welding arc is struck without any contact between electrode and workpiece.

Another type of start is also possible, with reduced tungsten inclusions: this is the lift start. Lift starts do not require high frequency, but only an initial low current short circuit between the electrode and the workpiece. When the electrode is lifted, the arc is established and the current increases to the set welding value.

To improve the quality of the filling at the end of the welding bead it is important to control carefully the down slope of the current and it is necessary that the gas still flows in the welding pool for some seconds after the arc is extinguished.

Under many operating conditions, it is useful to be able to use two preset welding currents and to be able to switch easily from one to the other (BILEVEL).

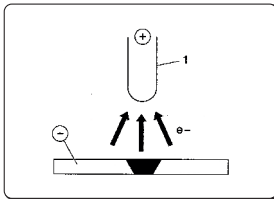
Welding polarity



D.C.S.P. (Direct Current Straight Polarity)

This is the most used polarity and ensures limited wear of the electrode (1), since 70% of the heat is concentrated in the anode (piece).

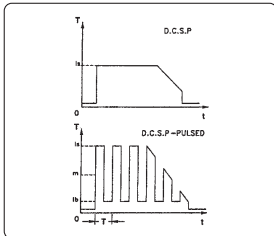
Narrow and deep weld pools are obtained, with high travel speeds and low heat supply.



D.C.R.P. (Direct Current Reverse Polarity)

The reverse polarity is used for welding alloys covered with a layer of refractory oxide with higher melting temperature compared with metals.

High currents cannot be used, since they would cause excessive wear on the electrode.



D.C.S.P.-Pulsed (Direct Current Straight Polarity Pulsed)

The use of pulsed direct current allows better control, in particular operating conditions, of the welding pool width and depth.

The welding pool is formed by the peak pulses (I_p), while the base current (I_b) keeps the arc ignited. This makes it easier to weld thinner metal with less deformation, a better form factor and consequently a reduced risk of hot cracks and gas inclusion.

Increasing the frequency (MF) the arc becomes narrower, more concentrated, more stable and the quality of welding on thin sheets is further increased.

Characteristics of TIG welds

The TIG procedure is very effective for welding both carbon and alloyed steel, for first runs on pipes and for welding where good appearance is important.

Straight polarity is required (D.C.S.P.).

Preparing the edges

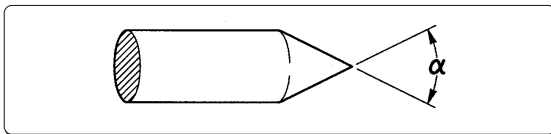
Careful cleaning and preparation of the edges are required.

Choosing and preparing the electrode

You are advised to use cerium or lanthanum electrodes, alternatively electrodes of mixed rare earth oxides with the following diameters:

Current range			Electrode	
(DC-)	(DC+)	(AC)	Ø	α
3-20 A	-	3-20 A	0,5 mm	30°
15-80 A	-	20-30 A	1,0 mm	30-60°
70-150 A	10-20 A	30-80 A	1,6 mm	60-90°
150-250 A	15-30 A	60-130 A	2,4 mm	90-120°
250-400 A	25-40 A	100-180 A	3,2 mm	120-150°
400-500 A	40-55 A	160-240 A	4,0 mm	150-180°
500-750 A	55-80 A	190-300 A	4,8 mm	150-180°
750-1100 A	80-125 A	325-450 A	6,4 mm	150-180°

The electrode must be sharpened as shown in the figure.



Filler metal

The filler rods must have mechanical characteristics comparable to those of the parent metal.

Do not use strips obtained from the parent metal, since they may contain working impurities that can negatively affect the quality of the welds.

Shielding gas

Typically, pure argon (99.99%) is used.

Current range			Gas	
(DC-)	(DC+)	(AC)	Nozzle	Flow
3-20 A	-	3-20 A	n° 4	5-6 l/min
15-80 A	-	20-30 A	n° 5	6-8 l/min
70-150 A	10-20 A	30-80 A	n° 6	7-10 l/min
150-250 A	15-30 A	60-130 A	n° 7	8-12 l/min
250-400 A	25-40 A	100-180 A	n° 8	10-14 l/min
400-500 A	40-55 A	160-240 A	n° 8	12-16 l/min
500-750 A	55-80 A	190-300 A	n° 10	15-20 l/min
750-1100 A	80-125 A	325-450 A	n° 12	20-25 l/min

11. TECHNICAL SPECIFICATIONS


Electrical characteristics			
CORE 185 MMA			U.M.
Power supply voltage U1 (50/60 Hz)	1x115 (±15%)	1x230 (±15%)	Vac
Zmax (@PCC) *	658	658	mΩ
Slow blow line fuse (MMA)	30	30	A
Slow blow line fuse (TIG)	30	30	A
Communication bus	DIGITAL	DIGITAL	
Maximum input power (MMA)	3.24	6.44	kVA
Maximum input power (MMA)	2.68	5.1	kW
Maximum input power (TIG)	3.24	6.44	kVA
Maximum input power (TIG)	2.68	5.1	kW
Power consumption in standby	30	30	W
Power factor (PF) (MMA)	0.99	0.99	
Power factor (PF) (TIG)	0.99	0.99	
Efficiency (μ) (MMA)	87.2	90.3	%
Efficiency (μ) (TIG)	83.8	86.6	%
Cos φ	0.99	0.99	
Max. input current I1max (MMA)	27	27	A
Max. input current I1max (TIG)	18	24.5	A
Effective current I1eff (MMA)	13.5	13.5	A
Adjustment range (MMA)	20-110	20-185	A
Adjustment range (TIG)	10-140	10-185	A
Open circuit voltage (MMA)	76	76	Vdc
Open circuit voltage (TIG)	76	76	Vdc
Open circuit voltage Ur (MMA)	15	15	Vdc
Open circuit voltage Ur (TIG)	15	15	Vdc
Duty cycle			
CORE 185 MMA			U.M.
Duty cycle TIG (40°C)	1x115	1x230	
(X=25%)	140	185	A
(X=60%)	90	120	A
(X=100%)	70	93	A
Duty cycle MMA (40°C)			
(X=25%)	110	185	A
(X=60%)	71	120	A
(X=100%)	55	93	A

Physical characteristics		U.M.
CORE 185 MMA		
IP Protection rating	IP23S	
Insulation class	H	
Dimensions (lxdxh)	429x172x316	mm
Weight	9.5	Kg
Power supply cable section	3x2.5	mm ²
Length of power supply cable	3	m
Power plug type	16A 250V Type F	
Air flow	yes	
Manufacturing Standards	EN IEC 60974-1/A1:2019 EN 60974-10/A1:2015	

** This equipment conforms to the requirements of EN / IEC 61000-3-11 provided maximum permissible mains impedance at the point of interface with the public grid (point of common coupling, PCC) is below or equal to the declared Z_{max} value. If it is connected to a public low voltage system, it is the responsibility of the installer or user of the equipment to ensure, by consultation with the distribution network operator if necessary, that the equipment may be connected.*

** This equipment complies with EN / IEC 61000-3-12.*

12. RATING PLATE



voestalpine Böhler Welding
 Arc Technology s.r.l.
 Via Palladio 19
 Onara (PD), Italy
 www.voestalpine.com/welding


CORE 185^{MMA}

Ser. no:

Par. no:

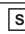
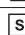

Designed in EU
Assembled in PRC




EVIDENCE OF TAMPERING VOIDS WARRANTY



EN IEC 60974-1
EN IEC 60974-10 Class A

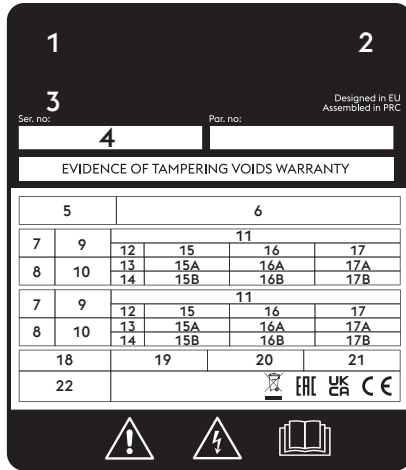
03.08.544

		20A/20.8V - 185A (110A) / 27.4V (24.4V)		
 U ₀ = 76V	X	25%	60%	100%
	I ₂	185A (110A)	120A (71A)	93A (55A)
	U ₂	27.4V (24.4V)	24.8V (22.8V)	23.7V (22.2V)
		10A/10.4V - 185A (140A) / 17.4V (15.6V)		
 U ₀ = 76V	X	25%	60%	100%
	I ₂	185A (140A)	120A (90A)	93A (70A)
	U ₂	17.4V (15.6V)	14.8V (13.6V)	13.7V (12.8V)
^{IP} 1~50/60 Hz		U ₁ 230V (115V)	I _{1max} 27A (27A)	I _{1nom} 13.5A (13.5A)
IP 23 S				

EN

13. MEANING RATING PLATE



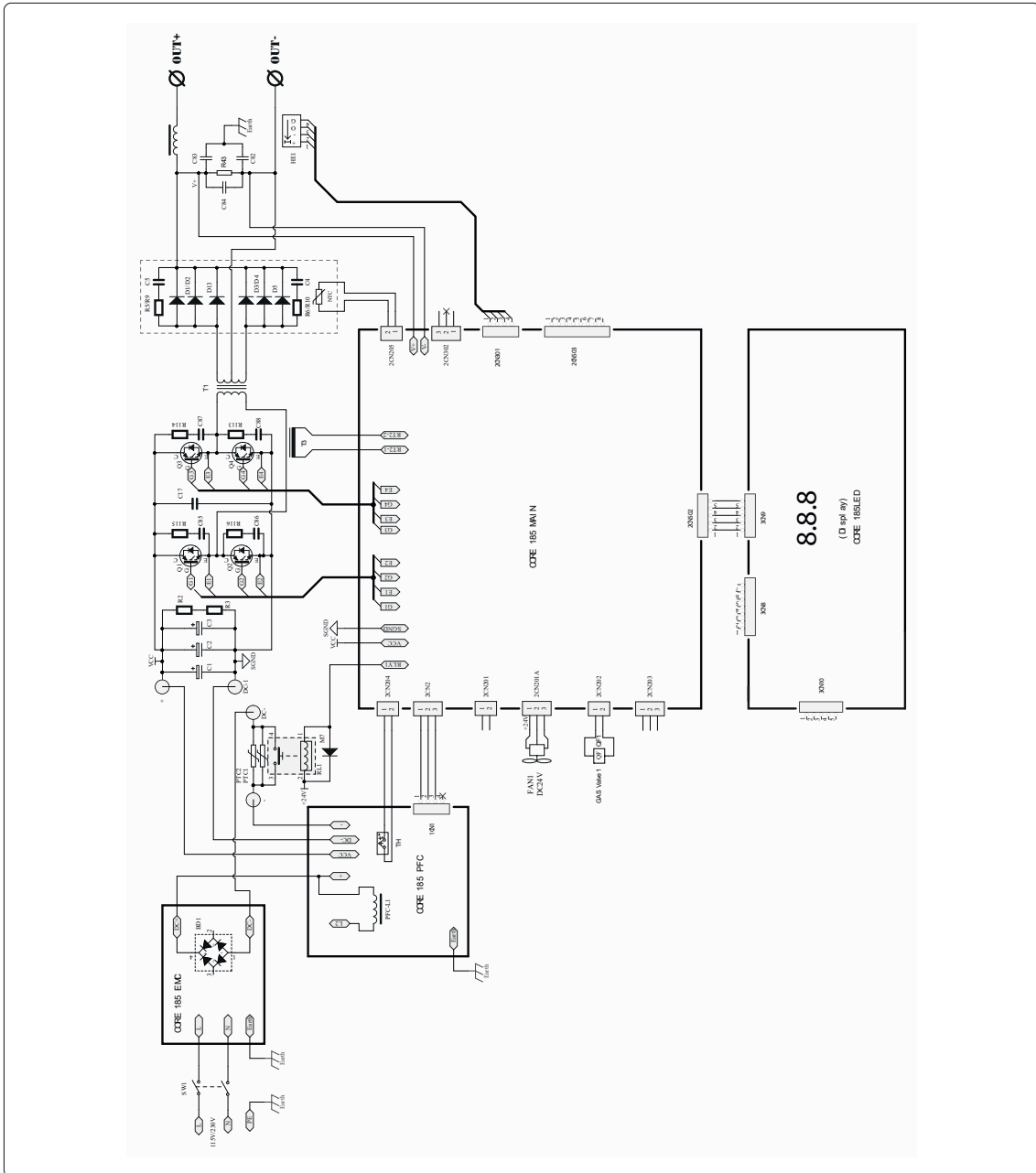
CE EU declaration of conformity
 EAC EAC declaration of conformity
 UKCA UKCA declaration of conformity

- 1 Trademark
- 2 Name and address of manufacturer
- 3 Machine model
- 4 Serial no.
 XXXXXXXXXXXX Year of manufacture
- 5 Welding unit symbol
- 6 Reference to construction standards
- 7 Welding process symbol
- 8 Symbol for equipments suitable for operation in environments with increased electrical shock risk
- 9 Welding current symbol
- 10 Rated no load voltage
- 11 Max-Min current range and corresponding conventional load voltage
- 12 Duty cycle symbol
- 13 Rated welding current symbol
- 14 Rated welding voltage symbol
- 15 Duty cycle values
- 16 Duty cycle values
- 17 Duty cycle values
- 15A Rated welding current values
- 16A Rated welding current values
- 17A Rated welding current values
- 15B Conventional load voltage values
- 16B Conventional load voltage values
- 17B Conventional load voltage values
- 18 Power supply symbol
- 19 Rated power supply voltage
- 20 Maximum rated power supply current
- 21 Maximum effective power supply current
- 22 Protection rating

EN

14. DIAGRAM

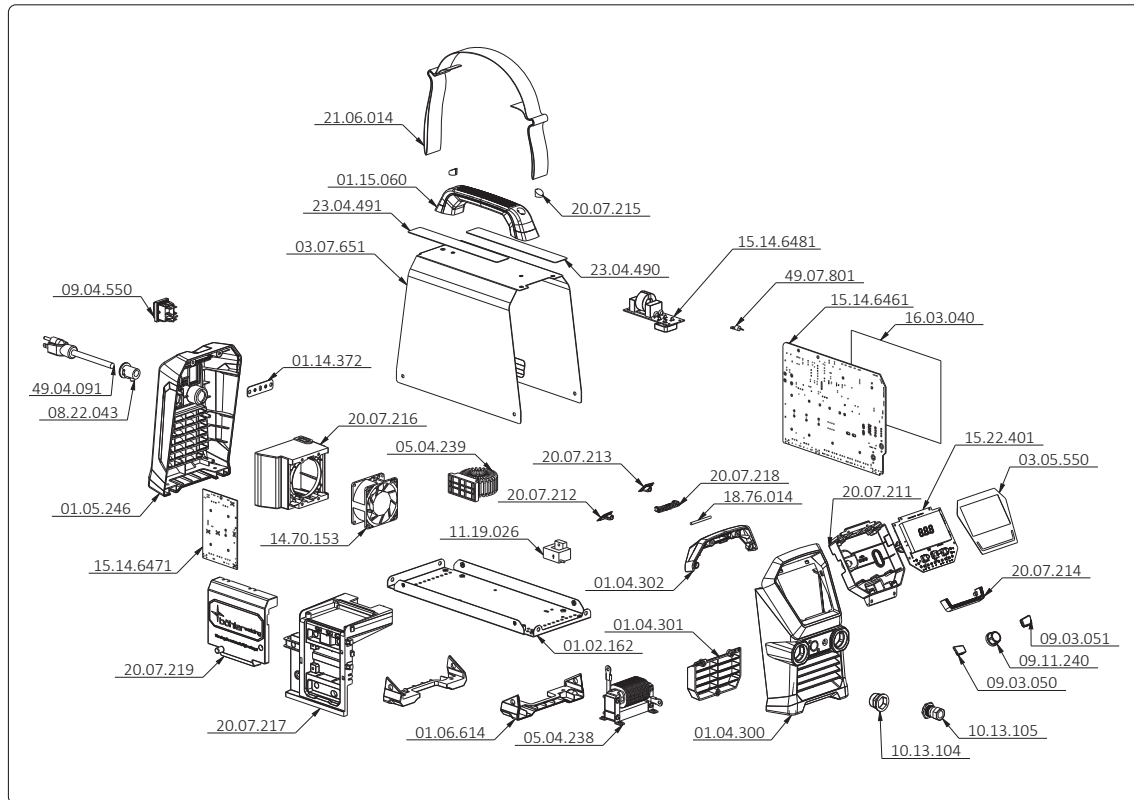
CORE 185 MMA 1x120V 1x230V (55.22.002)



EN

15. SPARE PARTS LIST

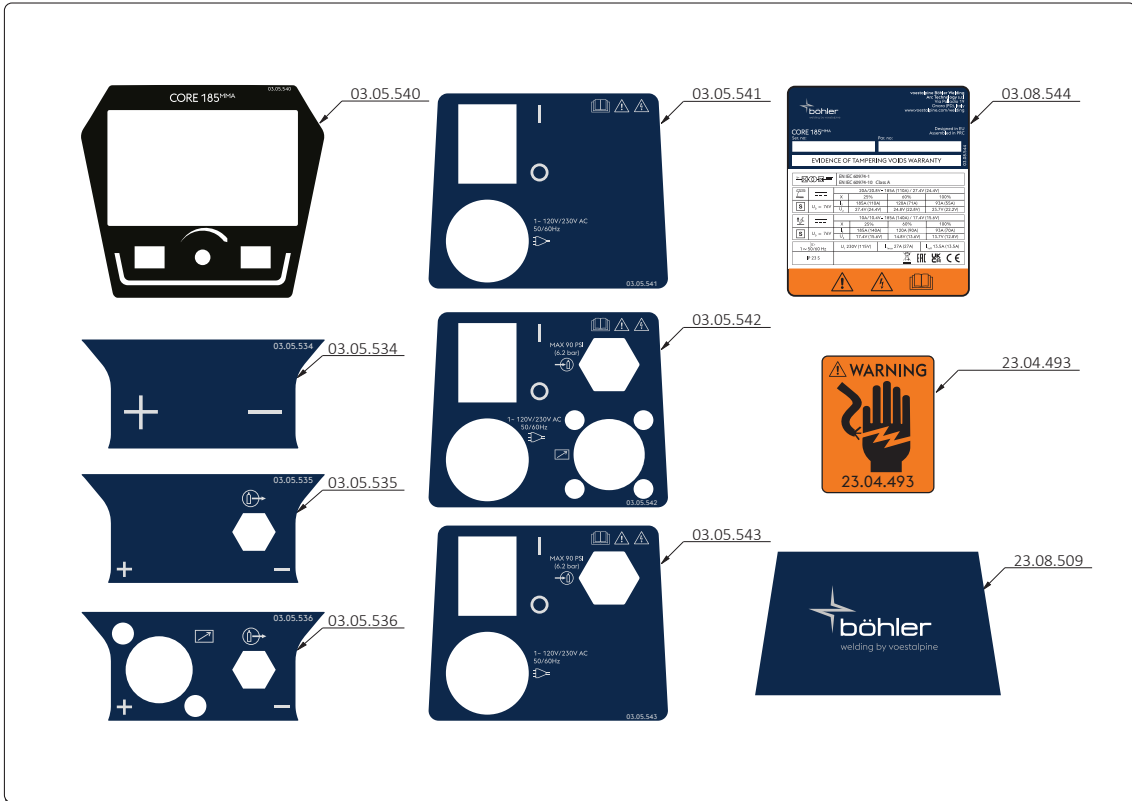
CORE 185 MMA 1x120V 1x230V (55.22.002)



PART NO.	DESCRIPTION
01.02.162	Metal base
01.04.300	Front frame (plastic)
01.04.301	Front grid (plastic)
01.04.302	Front grid (plastic)
01.05.246	Rear frame (plastic)
01.06.614	Bottom frame (plastic)
01.14.372	Grounding bar
01.15.060	Handle
03.05.550	Nameplate
03.07.651	Wraparound - locked cover
05.04.238	Inductance
05.04.239	Inductance
08.22.043	Cable clamp
09.03.050	Push button
09.03.051	Push button
09.04.550	Switch
09.11.240	Knob
10.13.104	Current socket holder
10.13.105	Current socket (panel) - 50-70mm ²
11.19.026	Hall sensor
14.70.153	Cooling fan
15.14.6461	P.C. Board
15.14.6471	P.C. Board

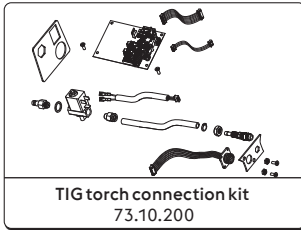
PART NO.	DESCRIPTION
15.14.6481	P.C. Board
15.22.401	User panel
16.03.040	Insulation sheet
18.76.014	Pin
20.07.211	Control panel cover
20.07.212	Front left cap
20.07.213	Front right cap
20.07.214	Front led frame
20.07.215	Cap
20.07.216	Fan holder
20.07.217	P.C. Board support
20.07.218	Holder
20.07.219	Pfc cover
21.06.014	Carrying strap
23.04.490	Electrode parameters label
23.04.491	Information label
49.04.091	Input line cord. 3.8m
49.07.801	Wiring

EN



PART NO.	DESCRIPTION
03.08.544	Rating plate
03.05.534	Front nameplate
03.05.535	Front nameplate
03.05.536	Front nameplate
03.05.540	Front nameplate
03.05.541	Rear nameplate
03.05.542	Rear nameplate
03.05.543	Rear nameplate
23.04.493	Warning label
23.08.509	Side hood label

16. ACCESSORIES

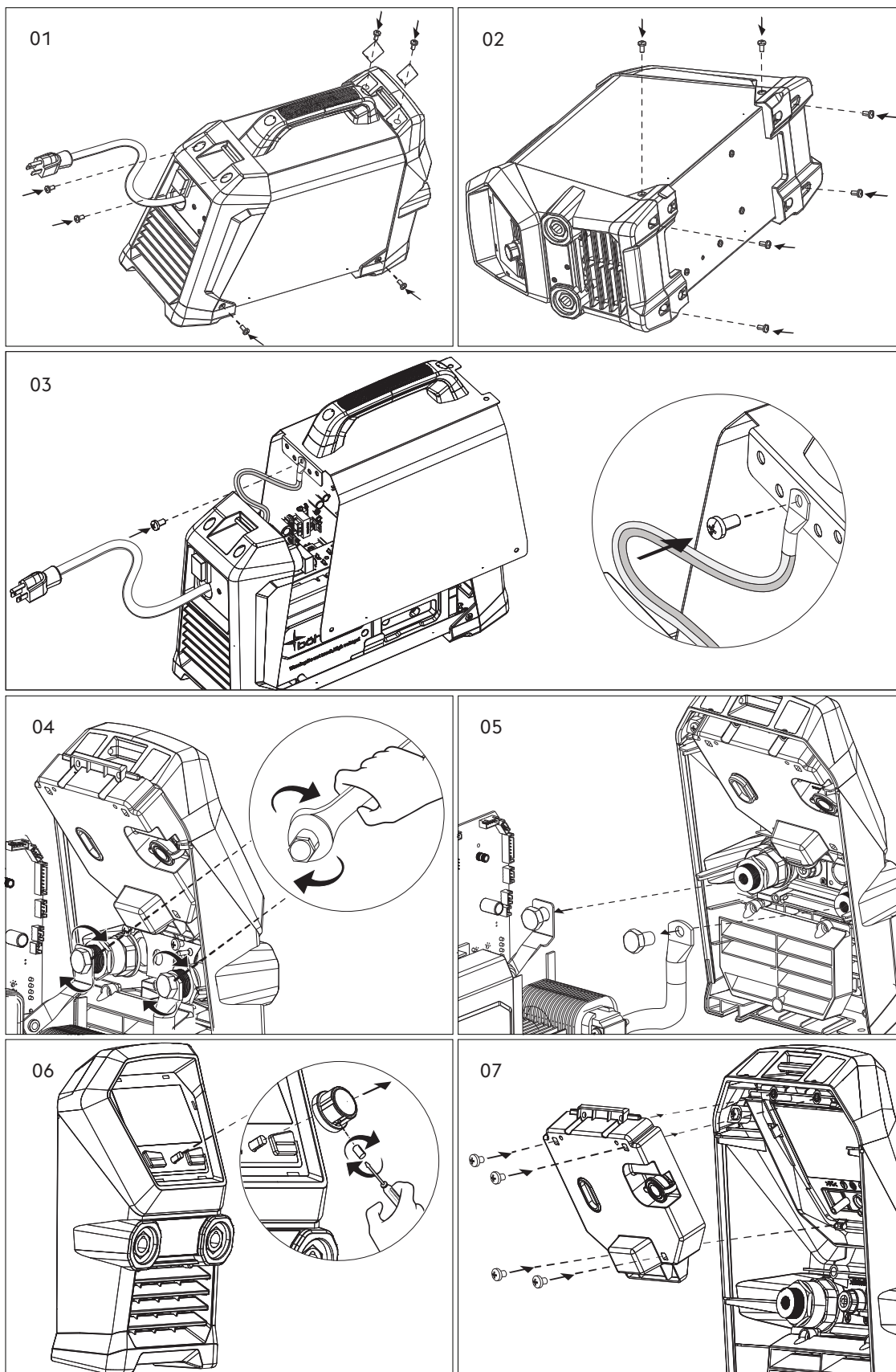


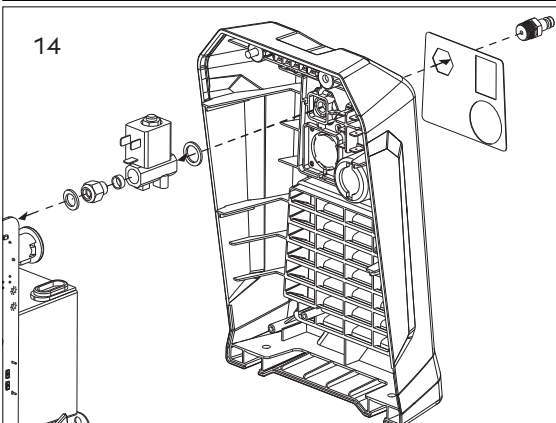
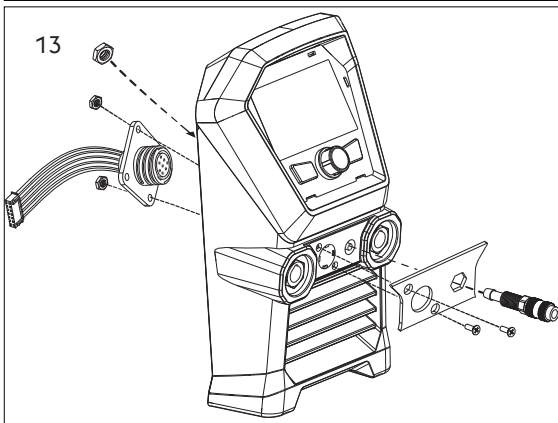
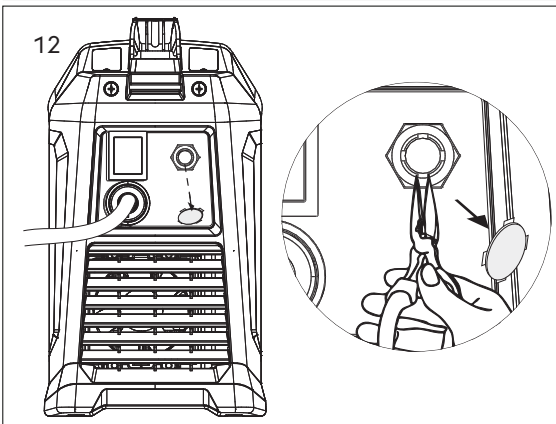
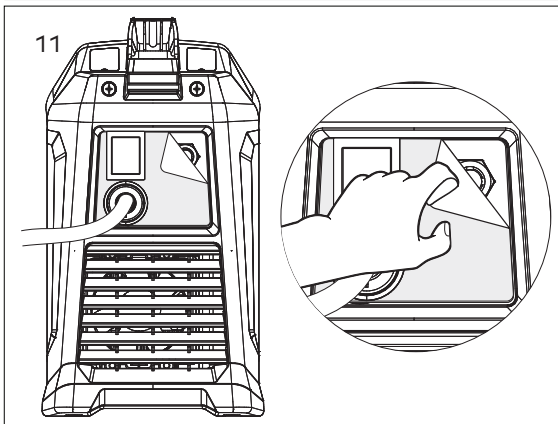
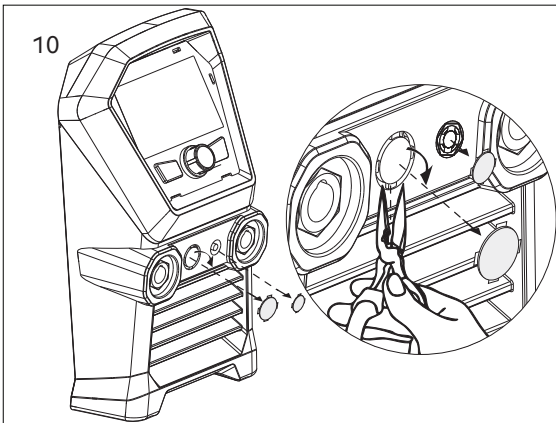
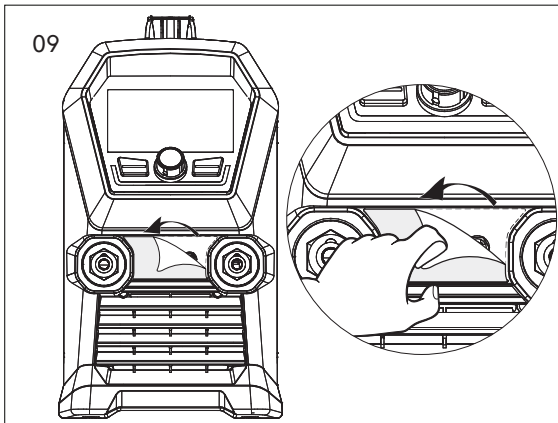
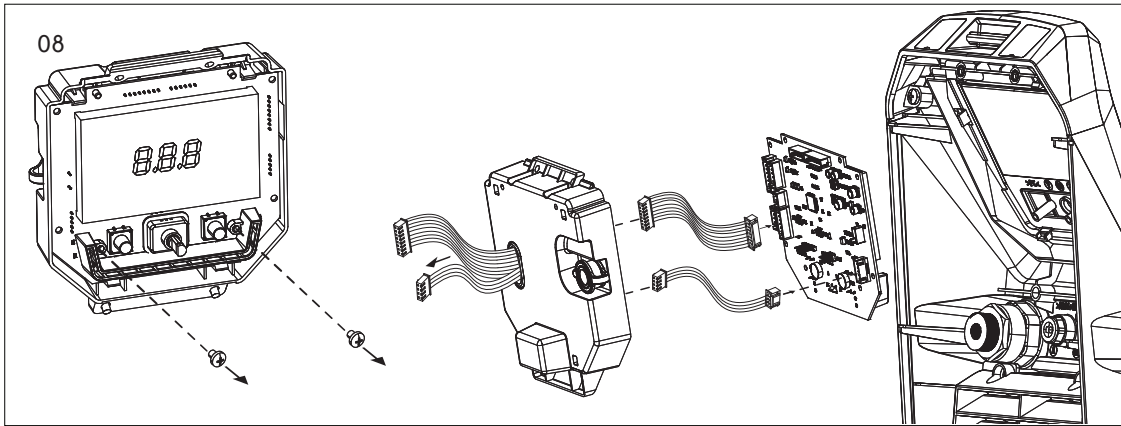
Consult the "Installation kit/accessories" section.

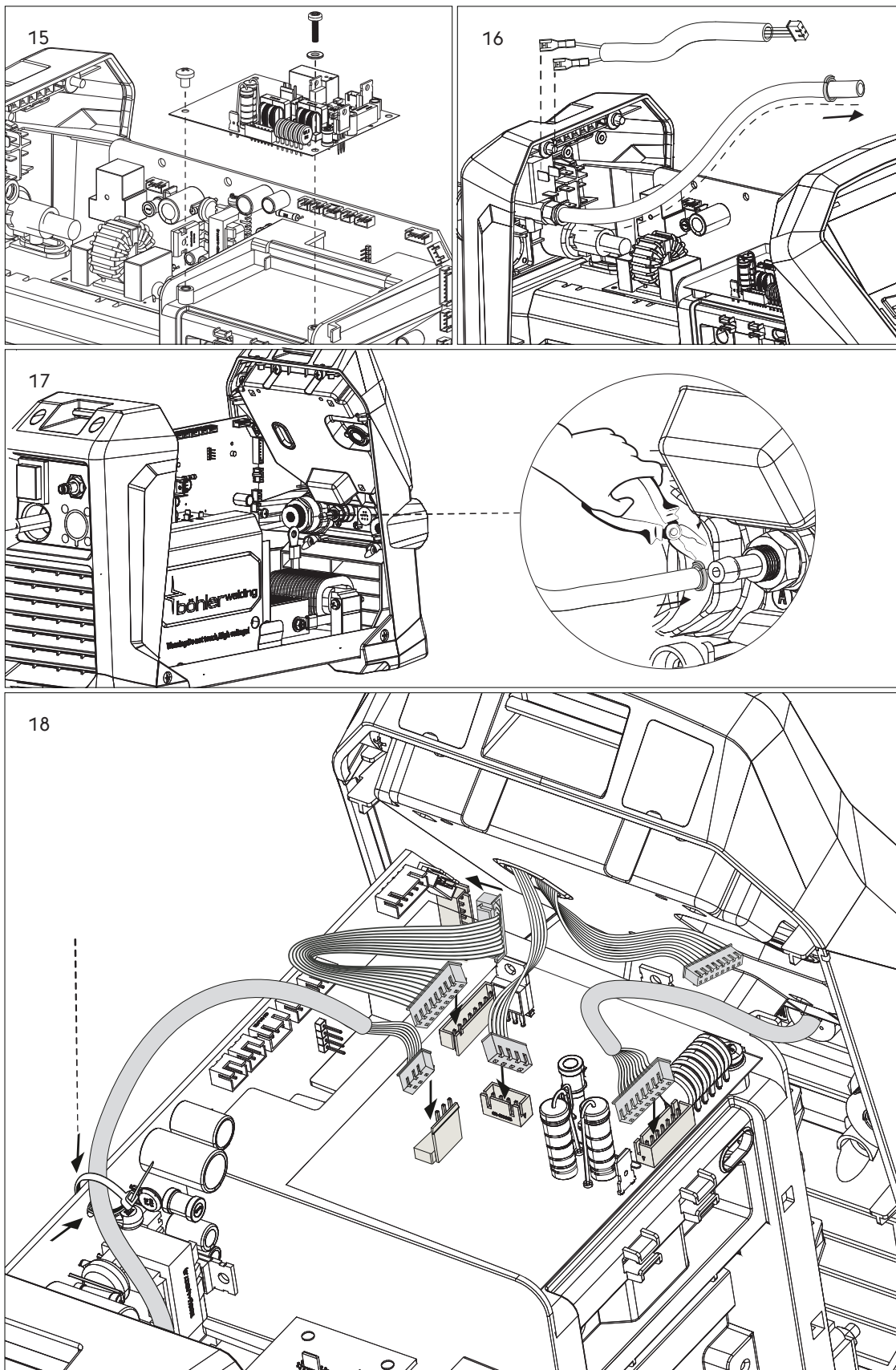
17. INSTALLATION KIT/ACCESSORIES

73.10.200 TIG torch connection kit

EN







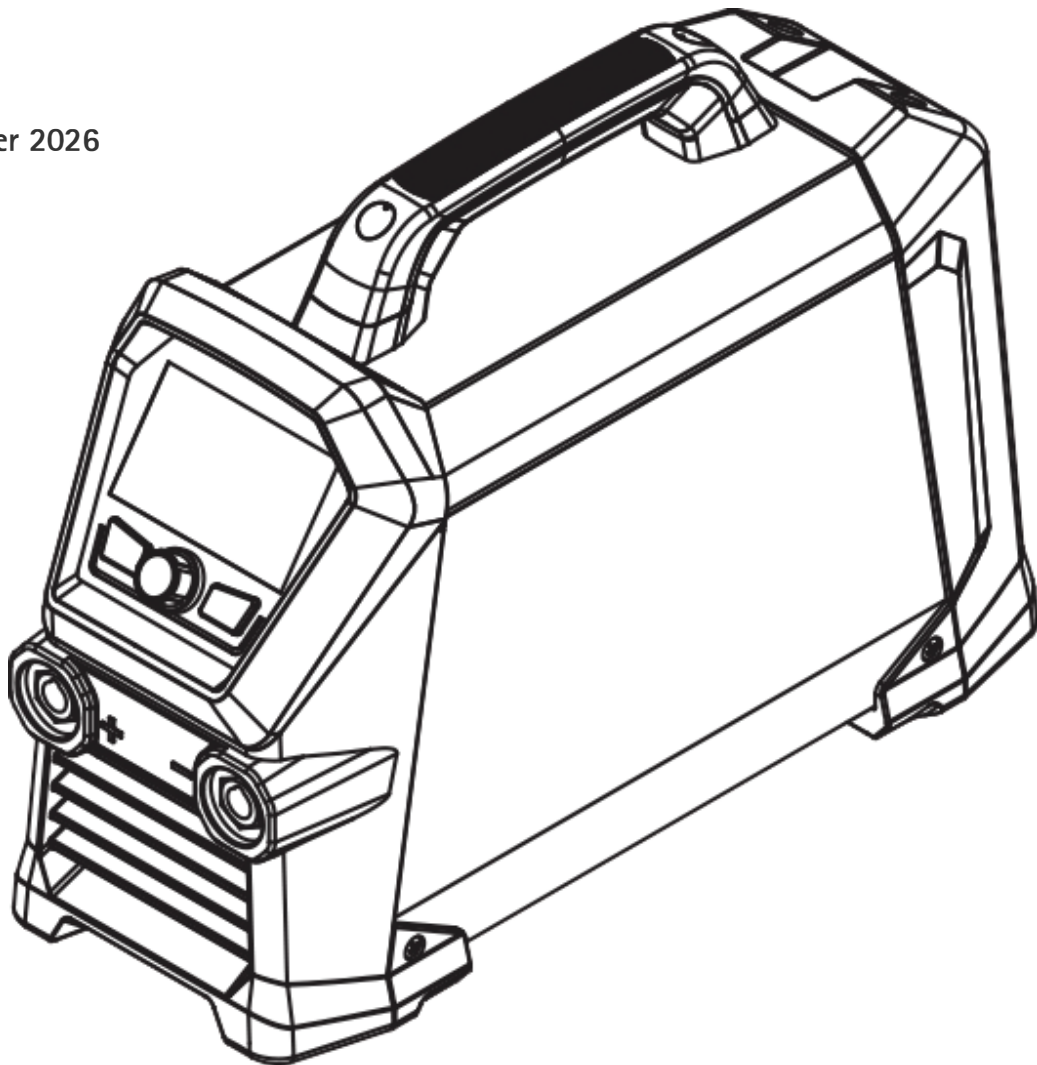
Lasting Connections

CORE 185 MMA

MANUALE UTENTE



reddot winner 2026





91.08.607
03/11/2025
Rev.A



CORE 185 MMA

DICHIARAZIONE DI CONFORMITÀ EU

Il costruttore
voestalpine Böhler Welding Arc Technology S.r.l.
Via Palladio, 19 - 35019 Onara di Tombolo (PD) - ITALIA
Tel. +39 049 9413/111 - Fax +39 049 9413/311 - www.voestalpine.com/welding

IT

dichiara sotto la propria esclusiva responsabilità che il seguente prodotto:

CORE 185 MMA **55.22.002**

è conforme alle direttive EU:

2014/35/EU LOW VOLTAGE DIRECTIVE

2014/30/EU EMC DIRECTIVE

2011/65/EU RoHS DIRECTIVE

2019/1784/EU EcoDesign

2009/125/EU EcoDesign

e che sono state applicate le norme:

EN IEC 60974-1/A1:2019 WELDING POWER SOURCE

EN 60974-10/A1:2015 ELECTROMAGNETIC COMPATIBILITY REQUIREMENTS

EN 50445:2008

EN IEC 63000:2018

La documentazione attestante la conformità alle direttive sarà tenuta a disposizione per ispezioni presso il sopracitato costruttore.

Ogni intervento o modifica non autorizzati dalla voestalpine Böhler Welding Arc Technology S.r.l. faranno decadere la validità di questa dichiarazione.

Onara di Tombolo, 03/11/2025

voestalpine Böhler Welding Arc Technology S.r.l.



Mirco Frasson **Pawel Dawid Lipinski**

Managing Directors

INDICE

1. ETICHETTA AVVERTENZE.....	8
1.1 Protezione da shock elettrico.....	8
1.2 Protezione da fumi e gas.....	8
1.3 Protezione personale e di terzi.....	9
1.4 Prevenzione nell'uso delle bombole di gas.....	9
1.5 Campi elettromagnetici ed interferenze.....	9
1.6 Prevenzione incendio/scoppio.....	10
2. AVVERTENZE.....	11
2.1 Ambiente di utilizzo.....	11
2.2 Protezione personale e di terzi.....	11
2.3 Protezione da fumi e gas.....	12
2.4 Prevenzione incendio/scoppio.....	13
2.5 Prevenzione nell'uso delle bombole di gas.....	13
2.6 Protezione da shock elettrico.....	13
2.7 Campi elettromagnetici ed interferenze.....	14
2.8 Grado di protezione IP.....	15
2.9 Smaltimento.....	15
3. INSTALLAZIONE.....	16
3.1 Modalità di sollevamento, trasporto e scarico.....	16
3.2 Posizionamento dell'impianto.....	16
3.3 Allacciamento.....	16
3.4 Messa in servizio.....	17
4. PRESENTAZIONE DELL'IMPIANTO.....	19
4.1 Pannello posteriore.....	19
4.2 Pannello prese.....	19
4.3 Pannello comandi frontale.....	20
5. UTILIZZO DELL'IMPIANTO.....	22
5.1 Schermata principale.....	22
5.2 Schermata principale processo MMA.....	22
5.3 Selezione parametri sinergie.....	23
5.4 Schermata principale processo MMA Pulsato.....	25
5.5 Schermata principale processo TIG LIFT.....	26
5.6 Schermata principale processo TIG LIFT Puntatura.....	26
5.7 Schermata programmi (JOB POINT).....	27
5.8 Barra led.....	28
5.9 Manutenzione adattativa.....	29
6. SETUP.....	30
7. MANUTENZIONE.....	35
7.1 Controlli periodici.....	35
7.2 Responsabilità.....	35
8. CODIFICA ALLARMI.....	36
9. DIAGNOSTICA E SOLUZIONI.....	37
10. ISTRUZIONI OPERATIVE.....	38
10.1 Saldatura con elettrodo rivestito (MMA).....	38
10.2 Saldatura TIG (arco continuo).....	39
11. CARATTERISTICHE TECNICHE.....	41
12. TARGA DATI.....	43
13. SIGNIFICATO TARGA DATI.....	44
14. SCHEMA.....	45
15. LISTA RICAMBI.....	46
16. ACCESSORI.....	49
17. INSTALLAZIONE KIT/ACCESSORI.....	50

SIMBOLOGIA



Avvertenze



Divieti



Obblighi



Indicazioni generali

1. ETICHETTA AVVERTENZE



1.1 Protezione da shock elettrico



Uno shock da scarica elettrica può essere mortale.

- Evitare di toccare parti normalmente in tensione interne o esterne all'impianto di saldatura mentre l'impianto stesso è alimentato (torce, pinze, cavi massa, elettrodi, fili, rulli e bobine sono elettricamente collegati al circuito di saldatura).
- Assicurare l'isolamento elettrico dell'impianto e dell'operatore utilizzando piani e basamenti asciutti e sufficientemente isolati dal potenziale di terra e di massa.
- Assicurarsi che l'impianto venga allacciato correttamente ad una spina e ad una rete provvista del conduttore di protezione a terra.
- Non toccare contemporaneamente due torce o due pinze portaelettrodo.
- Interrompere immediatamente le operazioni di saldatura se si avverte la sensazione di scossa elettrica.



Il dispositivo di innesco e stabilizzazione dell'arco è progettato per il funzionamento a guida manuale o meccanica.



L'aumento della lunghezza della torcia o dei cavi di saldatura ad oltre 8m aumenterà il rischio di scossa elettrica.

1.2 Protezione da fumi e gas



Fumi, gas e polveri prodotti dal processo di saldatura possono risultare dannosi alla salute.

I fumi prodotti durante il processo di saldatura possono, in determinate circostanze, provocare il cancro o danni al feto nelle donne in gravidanza.

- Tenere la testa lontana dai gas e dai fumi di saldatura.
- Prevedere una ventilazione adeguata, naturale o forzata, nella zona di lavoro.
- In caso di aerazione insufficiente utilizzare maschere dotate di respiratori.
- Nel caso di saldature in ambienti angusti è consigliata la sorveglianza dell'operatore da parte di un collega situato esternamente.
- Non usare ossigeno per la ventilazione.
- Verificare l'efficacia dell'aspirazione controllando periodicamente l'entità delle emissioni di gas nocivi con i valori ammessi dalle norme di sicurezza.
- La quantità e la pericolosità dei fumi prodotti è riconducibile al materiale base utilizzato, al materiale d'apporto e alle eventuali sostanze utilizzate per la pulizia e lo sgrassaggio dei pezzi da saldare. Seguire attentamente le indicazioni del costruttore e le relative schede tecniche.
- Non eseguire operazioni di saldatura nei pressi di luoghi di sgrassaggio o verniciatura.
- Posizionare le bombole di gas in spazi aperti o con un buon ricircolo d'aria.

1.3 Protezione personale e di terzi



Il processo di saldatura è fonte nociva di radiazioni, rumore, calore ed esalazioni gassose.

Sistemare una parete divisoria ignifuga per proteggere la zona di saldatura da raggi, scintille e scorie incandescenti.

Avvertire le eventuali terze persone di non fissare con lo sguardo la saldatura e di proteggersi dai raggi dell'arco e dal metallo incandescente.



Evitare di toccare i pezzi appena saldati, l'elevato calore potrebbe causare gravi ustioni o scottature.

Mantenere tutte le precauzioni precedentemente descritte anche nelle lavorazioni post saldatura in quanto, dai pezzi lavorati che si stanno raffreddando, potrebbero staccarsi scorie.



Utilizzare maschere con protezioni laterali per il viso e filtro di protezione idoneo (almeno NR10 o maggiore) per gli occhi.

1.4 Prevenzione nell'uso delle bombole di gas



Le bombole di gas inerte contengono gas sotto pressione e possono esplodere nel caso non vengano assicurate le condizioni minime di trasporto, mantenimento e uso.

- Le bombole devono essere vincolate verticalmente a pareti o ad altro, con mezzi idonei, per evitare cadute o urti meccanici accidentali.
- Avvitare il cappuccio a protezione della valvola durante il trasporto, la messa in servizio e ogni qualvolta le operazioni di saldatura siano terminate.
- Evitare che le bombole siano esposte direttamente ai raggi solari e a sbalzi elevati di temperatura. Non esporre le bombole a temperature troppo rigide o troppo alte.
- Evitare che le bombole entrino in contatto con fiamme libere, con archi elettrici, con torce o pinze porta elettrodo, con le proiezioni incandescenti prodotte dalla saldatura.
- Tenere le bombole lontano dai circuiti di saldatura e dai circuiti di corrente in genere.
- Tenere la testa lontano dal punto di fuoriuscita del gas quando si apre la valvola della bombola.
- Chiudere sempre la valvola della bombola quando le operazioni di saldatura sono terminate.
- Non eseguire mai saldature su una bombola di gas in pressione.
- Non collegare mai una bombola di aria compressa direttamente al riduttore della macchina! La pressione potrebbe superare la capacità del riduttore che quindi potrebbe esplodere!

1.5 Campi elettromagnetici ed interferenze



Il passaggio della corrente attraverso i cavi interni ed esterni all'impianto, crea un campo elettromagnetico nelle immediate vicinanze dei cavi e dell'impianto stesso.

- I campi elettromagnetici possono avere effetti (ad oggi sconosciuti) sulla salute di chi ne subisce una esposizione prolungata.
- I campi elettromagnetici possono interferire con altre apparecchiature quali pace-maker o apparecchi acustici.
- I portatori di apparecchiature elettroniche vitali (pace-maker) devono consultare il medico prima di avvicinarsi alle operazioni di saldatura ad arco.

1.6 Prevenzione incendio/scoppio



Il processo di saldatura può essere causa di incendio e/o scoppio.

- Sgomberare dalla zona di lavoro e circostante i materiali o gli oggetti infiammabili o combustibili.
- I materiali infiammabili devono trovarsi ad almeno 11 metri (35 piedi) dalla zona di lavoro o devono essere opportunamente protetti.
- Le proiezioni di scintille e di particelle incandescenti possono facilmente raggiungere le zone circostanti anche attraverso piccole aperture. Porre particolare attenzione nella messa in sicurezza di cose e persone.
- Non eseguire saldature sopra o in prossimità di recipienti in pressione.
- Non eseguire operazioni di saldatura su recipienti o tubi chiusi. Porre comunque particolare attenzione nella saldatura di tubi o recipienti anche nel caso questi siano stati aperti, svuotati e accuratamente puliti. Residui di gas, carburante, olio o simili potrebbe causare esplosioni.
- Non saldare in atmosfera contenente polveri, gas o vapori esplosivi.
- Non tagliare in atmosfera contenente polveri, gas o vapori esplosivi.
- Accertarsi, a fine lavoro, che il circuito in tensione non possa accidentalmente toccare parti collegate al circuito di massa.
- Predisporre nelle vicinanze della zona di lavoro un'attrezzatura o un dispositivo antincendio.

2. AVVERTENZE



Prima di iniziare qualsiasi operazione siate sicuri di aver ben letto e compreso questo manuale.

Non apportate modifiche e non eseguite manutenzioni non descritte. Il produttore non si fa carico di danni a persone o cose, occorsi per incuria nella lettura o nella messa in pratica di quanto scritto in questo manuale.

Conservare sempre le istruzioni per l'uso sul luogo d'impiego dell'apparecchio. Oltre alle istruzioni per l'uso, attenersi alle norme generali e ai regolamenti locali vigenti in materia di prevenzione degli incidenti e tutela dell'ambiente.

La **voestalpine Böhler Welding Arc Technology S.r.l.** si riserva il diritto di apportare modifiche in qualsiasi momento e senza alcun preavviso.

I diritti di traduzione, di riproduzione e di adattamento, totale o parziale e con qualsiasi mezzo (compresi le copie fotostatiche, i film ed i microfilm) sono riservati e vietati senza l'autorizzazione scritta della **voestalpine Böhler Welding Arc Technology S.r.l.**

Quanto esposto è di vitale importanza e pertanto necessario affinché le garanzie possano operare. Nel caso l'operatore non si attenesse a quanto descritto, il costruttore declina ogni responsabilità.



Tutte le persone addette alla messa in funzione, all'utilizzo, alla manutenzione e alla riparazione dell'apparecchio devono

- essere in possesso di apposita qualifica
- disporre delle competenze necessarie in materia di saldatura
- leggere integralmente e osservare scrupolosamente le presenti istruzioni per l'uso.

Per ogni dubbio o problema circa l'utilizzo dell'impianto, anche se qui non descritto, consultare personale qualificato.

2.1 Ambiente di utilizzo



Ogni impianto deve essere utilizzato esclusivamente per le operazioni per cui è stato progettato, nei modi e nei campi previsti in targa dati e/o in questo manuale, secondo le direttive nazionali e internazionali relative alla sicurezza. Un utilizzo diverso da quello espressamente dichiarato dal costruttore è da considerarsi totalmente inappropriato e pericoloso e in tal caso il costruttore declina ogni responsabilità.



Questo apparecchio deve essere usato solo a scopo professionale in un ambiente industriale. Il costruttore non risponderà di danni provocati dall'uso dell'impianto in ambienti domestici.



L'impianto deve essere utilizzato in ambienti con temperatura compresa tra -10°C e $+40^{\circ}\text{C}$ (tra $+14^{\circ}\text{F}$ e $+104^{\circ}\text{F}$).

L'impianto deve essere trasportato e immagazzinato in ambienti con temperatura compresa tra -25°C e $+55^{\circ}\text{C}$ (tra -13°F e 131°F).

L'impianto deve essere utilizzato in ambienti privi di polvere, acidi, gas o altre sostanze corrosive.

L'impianto deve essere utilizzato in ambienti con umidità relativa non superiore al 50% a 40°C (104°F).

L'impianto deve essere utilizzato in ambienti con umidità relativa non superiore al 90% a 20°C (68°F).

L'impianto deve essere utilizzato ad una altitudine massima sul livello del mare di 2000m (6500 piedi).



Non utilizzare tale apparecchiatura per scongelare tubi.

Non utilizzare tale apparecchiatura per caricare batterie e/o accumulatori.

Non utilizzare tale apparecchiatura per far partire motori.

2.2 Protezione personale e di terzi



Il processo di saldatura è fonte nociva di radiazioni, rumore, calore ed esalazioni gassose. Sistemare una parete divisoria ignifuga per proteggere la zona di saldatura da raggi, scintille e scorie incandescenti. Avvertire le eventuali terze persone di non fissare con lo sguardo la saldatura e di proteggersi dai raggi dell'arco e dal metallo incandescente.


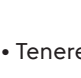


Indossare indumenti di protezione per proteggere la pelle dai raggi dell'arco e dalle scintille o dal metallo incandescente. Gli indumenti utilizzati devono coprire tutto il corpo e devono essere:

- integri e in buono stato
- ignifughi
- isolanti e asciutti
- aderenti al corpo e privi di risvolti

-  Utilizzare sempre calzature a normativa, resistenti e in grado di garantire l'isolamento dall'acqua.
-  Utilizzare sempre guanti a normativa, in grado di garantire l'isolamento elettrico e termico.
-  Utilizzare maschere con protezioni laterali per il viso e filtro di protezione idoneo (almeno NR10 o maggiore) per gli occhi.
-  Indossare sempre occhiali di sicurezza con schermi laterali specialmente nell'operazione manuale o meccanica di rimozione delle scorie di saldatura.
-  Non utilizzare lenti a contatto!
-  Utilizzare cuffie antirumore se il processo di saldatura diviene fonte di rumorosità pericolosa. Se il livello di rumorosità supera i limiti di legge, delimitare la zona di lavoro ed accertarsi che le persone che vi accedono siano protette con cuffie o auricolari.
-  Tenere sempre i pannelli laterali chiusi durante le operazioni di saldatura. L'impianto non deve essere sottoposto ad alcun tipo di modifica.
-  Evitare di toccare i pezzi appena saldati, l'elevato calore potrebbe causare gravi ustioni o scottature.
-  Mantenere tutte le precauzioni precedentemente descritte anche nelle lavorazioni post saldatura in quanto, dai pezzi lavorati che si stanno raffreddando, potrebbero staccarsi scorie.
-  Assicurarsi che la torcia si sia raffreddata prima di eseguire lavorazioni o manutenzioni.
-  Assicurarsi che il gruppo di raffreddamento sia spento prima di sconnettere i tubi di mandata e ritorno del liquido refrigerante. Il liquido caldo in uscita potrebbe causare gravi ustioni o scottature.
-  Provvedere ad un'attrezzatura di pronto soccorso.
Non sottovalutare scottature o ferite.
-  Prima di lasciare il posto di lavoro, porre in sicurezza l'area di competenza in modo da impedire danni accidentali a cose o persone.

2.3 Protezione da fumi e gas

-  Fumi, gas e polveri prodotti dal processo di saldatura possono risultare dannosi alla salute.
 -  I fumi prodotti durante il processo di saldatura possono, in determinate circostanze, provocare il cancro o danni al feto nelle donne in gravidanza.
- Tenere la testa lontana dai gas e dai fumi di saldatura.
 - Prevedere una ventilazione adeguata, naturale o forzata, nella zona di lavoro.
 - In caso di aerazione insufficiente utilizzare maschere dotate di respiratori.
 - Nel caso di saldature in ambienti angusti è consigliata la sorveglianza dell'operatore da parte di un collega situato esternamente.
 - Non usare ossigeno per la ventilazione.
 - Verificare l'efficacia dell'aspirazione controllando periodicamente l'entità delle emissioni di gas nocivi con i valori ammessi dalle norme di sicurezza.
 - La quantità e la pericolosità dei fumi prodotti è riconducibile al materiale base utilizzato, al materiale d'apporto e alle eventuali sostanze utilizzate per la pulizia e lo sgrassaggio dei pezzi da saldare. Seguire attentamente le indicazioni del costruttore e le relative schede tecniche.
 - Non eseguire operazioni di saldatura nei pressi di luoghi di sgrassaggio o verniciatura.
 - Posizionare le bombole di gas in spazi aperti o con un buon ricircolo d'aria.

2.4 Prevenzione incendio/scoppio



Il processo di saldatura può essere causa di incendio e/o scoppio.

- Sgomberare dalla zona di lavoro e circostante i materiali o gli oggetti infiammabili o combustibili.
- I materiali infiammabili devono trovarsi ad almeno 11 metri (35 piedi) dalla zona di lavoro o devono essere opportunamente protetti.
- Le proiezioni di scintille e di particelle incandescenti possono facilmente raggiungere le zone circostanti anche attraverso piccole aperture. Porre particolare attenzione nella messa in sicurezza di cose e persone.
- Non eseguire saldature sopra o in prossimità di recipienti in pressione.
- Non eseguire operazioni di saldatura su recipienti o tubi chiusi. Porre comunque particolare attenzione nella saldatura di tubi o recipienti anche nel caso questi siano stati aperti, svuotati e accuratamente puliti. Residui di gas, carburante, olio o simili potrebbe causare esplosioni.
- Non saldare in atmosfera contenente polveri, gas o vapori esplosivi.
- Accertarsi, a fine lavoro, che il circuito in tensione non possa accidentalmente toccare parti collegate al circuito di massa.
- Predisporre nelle vicinanze della zona di lavoro un'attrezzatura o un dispositivo antincendio.

2.5 Prevenzione nell'uso delle bombole di gas



Le bombole di gas inerte contengono gas sotto pressione e possono esplodere nel caso non vengano assicurate le condizioni minime di trasporto, mantenimento e uso.

- Le bombole devono essere vincolate verticalmente a pareti o ad altro, con mezzi idonei, per evitare cadute o urti meccanici accidentali.
- Evitare il cappuccio a protezione della valvola durante il trasporto, la messa in servizio e ogni qualvolta le operazioni di saldatura siano terminate.
- Evitare che le bombole siano esposte direttamente ai raggi solari e a sbalzi elevati di temperatura. Non esporre le bombole a temperature troppo rigide o troppo alte.
- Evitare che le bombole entrino in contatto con fiamme libere, con archi elettrici, con torce o pinze porta elettrodo, con le proiezioni incandescenti prodotte dalla saldatura.
- Tenere le bombole lontano dai circuiti di saldatura e dai circuiti di corrente in genere.
- Tenere la testa lontano dal punto di fuoriuscita del gas quando si apre la valvola della bombola.
- Chiudere sempre la valvola della bombola quando le operazioni di saldatura sono terminate.
- Non eseguire mai saldature su una bombola di gas in pressione.
- Non collegare mai una bombola di aria compressa direttamente al riduttore della macchina! La pressione potrebbe superare la capacità del riduttore che quindi potrebbe esplodere!

2.6 Protezione da shock elettrico



Uno shock da scarica elettrica può essere mortale.

- Evitare di toccare parti normalmente in tensione interne o esterne all'impianto di saldatura mentre l'impianto stesso è alimentato (torce, pinze, cavi massa, elettrodi, fili, rulli e bobine sono elettricamente collegati al circuito di saldatura).
- Assicurare l'isolamento elettrico dell'impianto e dell'operatore utilizzando piani e basamenti asciutti e sufficientemente isolati dal potenziale di terra e di massa.
- Assicurarsi che l'impianto venga allacciato correttamente ad una spina e ad una rete provvista del conduttore di protezione a terra.
- Non toccare contemporaneamente due torce o due pinze portaelettrodo.
- Interrompere immediatamente le operazioni di saldatura se si avverte la sensazione di scossa elettrica.



Il dispositivo di innesco e stabilizzazione dell'arco è progettato per il funzionamento a guida manuale o meccanica.

2.7 Campi elettromagnetici ed interferenze



I portatori di apparecchiature elettroniche vitali (pace-maker) devono consultare il medico prima di avvicinarsi alle operazioni di saldatura ad arco.



Il passaggio della corrente attraverso i cavi interni ed esterni all'impianto, crea un campo elettromagnetico nelle immediate vicinanze dei cavi e dell'impianto stesso.

- I campi elettromagnetici possono avere effetti (ad oggi sconosciuti) sulla salute di chi ne subisce una esposizione prolungata.
- I campi elettromagnetici possono interferire con altre apparecchiature quali pace-maker o apparecchi acustici.

2.7.1 Classificazione EMC in accordo con la norma: EN 60974-10/A1:2015.



L'apparecchiatura di Classe B è conforme con i requisiti di compatibilità elettromagnetica in ambienti industriali e residenziali, incluse aree residenziali dove l'energia elettrica è fornita da un sistema pubblico a bassa tensione.



L'apparecchiatura di Classe A non è intesa per l'uso in aree residenziali dove l'energia elettrica è fornita da un sistema pubblico a bassa tensione. Può essere potenzialmente difficile assicurare la compatibilità elettromagnetica di apparecchiature di classe A in questi aree, a causa di disturbi irradiati e condotti.

Per maggiori informazioni consultare: TARGA DATI o CARATTERISTICHE TECNICHE.

2.7.2 Installazione, uso e valutazione dell'area

Questo apparecchio è costruito in conformità alle indicazioni contenute nella norma armonizzata: EN 60974-10/A1:2015 ed è identificato come di "CLASSE A". Questo apparecchio deve essere usato solo a scopo professionale in un ambiente industriale. Il costruttore non risponderà di danni provocati dall'uso dell'impianto in ambienti domestici.



L'utilizzatore deve essere un esperto del settore ed in quanto tale è responsabile dell'installazione e dell'uso dell'apparecchio secondo le indicazioni del costruttore. Qualora vengano rilevati dei disturbi elettromagnetici, spetta all'utilizzatore dell'apparecchio risolvere la situazione avvalendosi dell'assistenza tecnica del costruttore.



In tutti i casi i disturbi elettromagnetici devono essere ridotti fino al punto in cui non costituiscono più un fastidio.



Prima di installare questo apparecchio, l'utilizzatore deve valutare i potenziali problemi elettromagnetici che si potrebbero verificare nell'area circostante e in particolare la salute delle persone circostanti, per esempio: utilizzatori di pace-maker e di apparecchi acustici.

2.7.3 Requisiti alimentazione di rete

Apparecchiature ad elevata potenza possono influenzare la qualità dell'energia della rete di distribuzione a causa della corrente assorbita. Conseguentemente, alcune restrizioni di connessione o alcuni requisiti riguardanti la massima impedenza di rete ammessa (Z_{max}) o la minima potenza d'installazione (S_{sc}) disponibile al punto di interfaccia con la rete pubblica (punto di accoppiamento comune - Point of Common Coupling PCC) possono essere applicati per alcuni tipi di apparecchiature (vedi dati tecnici). In questo caso è responsabilità dell'installatore o dell'utilizzatore assicurarsi, con la consultazione del gestore della rete se necessario, che l'apparecchiatura possa essere connessa. In caso di interferenza potrebbe essere necessario prendere ulteriori precauzioni quali il filtraggio dell'alimentazione di rete.

Si deve inoltre considerare la possibilità di schermare il cavo d'alimentazione.

Per maggiori informazioni consultare: CARATTERISTICHE TECNICHE.

2.7.4 Precauzioni riguardo i cavi

Per minimizzare gli effetti dei campi elettromagnetici, seguire le seguenti regole:

- Evitare di arrotolare i cavi intorno al corpo.
- Evitare di fraporsi tra il cavo di massa e il cavo di potenza (tenere entrambi dallo stesso lato).
- I cavi devono essere tenuti più corti possibile e devono essere posizionati vicini e scorrere su o vicino il livello del suolo.
- Posizionare l'impianto ad una certa distanza dalla zona di lavoro.
- I cavi devono essere posizionati lontano da eventuali altri cavi presenti.

2.7.5 Collegamento equipotenziale

Il collegamento a massa di tutti i componenti metallici nell'impianto di saldatura e nelle sue vicinanze deve essere preso in considerazione. Rispettare le normative nazionali riguardanti il collegamento equipotenziale.

2.7.6 Messa a terra del pezzo in lavorazione

Dove il pezzo in lavorazione non è collegato a terra, per motivi di sicurezza elettrica o a causa della dimensione e posizione, un collegamento a massa tra il pezzo e la terra potrebbe ridurre le emissioni. Bisogna prestare attenzione affinché la messa a terra del pezzo in lavorazione non aumenti il rischio di infortunio degli utilizzatori o danneggi altri apparecchi elettrici. Rispettare le normative nazionali riguardanti la messa a terra.

2.7.7 Schermatura

La schermatura selettiva di altri cavi e apparecchi presenti nell'area circostante può alleviare i problemi di interferenza.

La schermatura dell'intero impianto di saldatura può essere presa in considerazione per applicazioni speciali.

2.8 Grado di protezione IP



IP23S

- Involucro protetto contro l'accesso a parti pericolose con un dito e contro corpi solidi estranei di diametro maggiore o uguale a 12,5 mm.
- Involucro protetto contro pioggia a 60° sulla verticale.
- Involucro protetto dagli effetti dannosi dovuti all'ingresso d'acqua, quando le parti mobili dell'apparecchiatura non sono in moto.

2.9 Smaltimento



Non collocare l'apparecchiatura elettrica tra i normali rifiuti!

In osservanza alla Direttiva Europea 2012/19/EU sui Rifiuti di Apparecchiature Elettriche ed Elettroniche e alla sua implementazione in accordo con le leggi nazionali, le apparecchiature elettriche che hanno raggiunto la fine del ciclo di vita devono essere raccolte separatamente e inviate ad un centro di recupero e smaltimento. Il proprietario dell'apparecchiatura dovrà identificare i centri di raccolta autorizzati informandosi presso le Amministrazioni Locali. L'applicazione della Direttiva Europea permetterà di migliorare l'ambiente e la salute umana.

» Per maggiori informazioni consultare il sito.

3. INSTALLAZIONE



L'installazione può essere effettuata solo da personale esperto ed abilitato dal produttore.



Per l'installazione assicurarsi che il generatore sia scollegato dalla rete di alimentazione.



È vietata la connessione (in serie o parallelo) dei generatori.

3.1 Modalità di sollevamento, trasporto e scarico

- L'impianto è provvisto di una cinghia allungabile che ne permette la movimentazione sia a mano che a spalla.
- L'impianto non è provvisto di elementi specifici per il sollevamento.
- Utilizzare un elevatore a forche ponendo la massima attenzione nello spostamento, al fine di evitare il ribaltamento del generatore.



Non sottovalutare il peso dell'impianto, vedi caratteristiche tecniche.

Non far transitare o sostare il carico sospeso sopra a persone o cose.

Non lasciare cadere o appoggiare con forza l'impianto o la singola unità.

3.2 Posizionamento dell'impianto



Osservare le seguenti norme:

- Facile accesso ai comandi ed ai collegamenti.
 - Non posizionare l'attrezzatura in ambienti angusti.
 - Non posizionare mai l'impianto su di un piano con inclinazione maggiore di 10° dal piano orizzontale.
 - Collocare l'impianto in un luogo asciutto, pulito e con ventilazione appropriata.
 - Proteggere l'impianto contro la pioggia battente e contro il sole.
- » Consultare la sezione "Prevenzione nell'uso delle bombole di gas".

3.3 Allacciamento



Il generatore è provvisto di un cavo di alimentazione per l'allacciamento alla rete.

L'impianto può essere alimentato con:

- 115V monofase
- 230V monofase

Il funzionamento dell'apparecchiatura è garantito per tensioni che si discostano fino al $\pm 15\%$ dal valore nominale.



Per evitare danni alle persone o all'impianto, occorre controllare la tensione di rete selezionata e i fusibili PRIMA di collegare la macchina alla rete. Inoltre occorre assicurarsi che il cavo venga collegato a una presa fornita di contatto di terra.



È possibile alimentare l'impianto attraverso un gruppo elettrogeno purché questo garantisca una tensione di alimentazione stabile tra il $\pm 15\%$ rispetto al valore di tensione nominale dichiarato dal costruttore, in tutte le condizioni operative possibili e alla massima potenza erogabile dal generatore. Di norma, si consiglia l'uso di gruppi elettrogeni di potenza pari a 2 volte la potenza del generatore se monofase e pari a 1.5 volte se trifase. Si consiglia l'uso di gruppi elettrogeni a controllo elettronico.



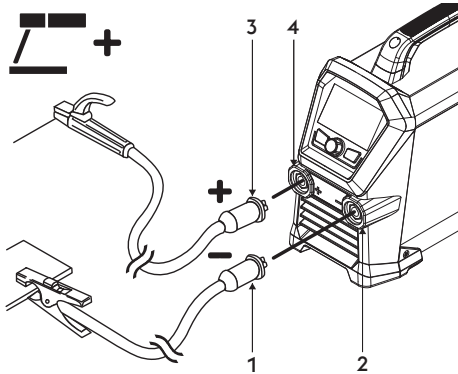
Per la protezione degli utenti, l'impianto deve essere correttamente collegato a terra. Il cavo di alimentazione è provvisto di un conduttore (giallo - verde) per la messa a terra, che deve essere collegato ad una spina dotata di contatto a terra. Questo filo giallo/verde non deve MAI essere usato insieme ad altro filo per prelievi di tensione. Controllare l'esistenza della "messa a terra" nell'impianto utilizzato ed il buono stato della presa di corrente. Montare solo spine omologate secondo le normative di sicurezza.



L'impianto elettrico deve essere realizzato da personale tecnico in possesso di requisiti tecnico-professionali specifici e in conformità alle leggi dello stato in cui si effettua l'installazione.

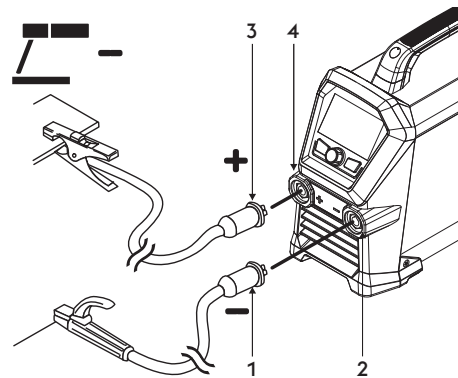
3.4 Messa in servizio

3.4.1 Collegamento per saldatura MMA



- 1 Connettore pinza massa
- 2 Presa negativa di potenza (-)
- 3 Connettore pinza portaelettrodo
- 4 Presa positiva di potenza (+)

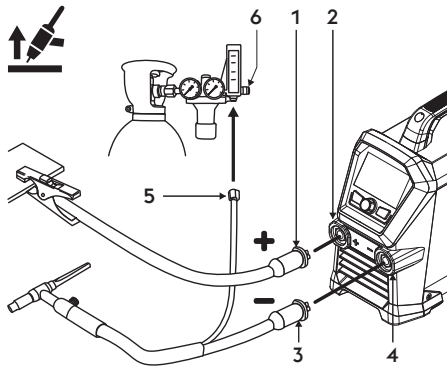
- ▶ Collegare il connettore del cavo della pinza di massa alla presa negativa (-) del generatore. Inserire la spina e ruotare in senso orario fino al completo fissaggio delle parti.
- ▶ Collegare il connettore del cavo della pinza portaelettrodo alla presa positiva (+) del generatore. Inserire la spina e ruotare in senso orario fino al completo fissaggio delle parti.



- 1 Connettore pinza portaelettrodo
- 2 Presa negativa di potenza (-)
- 3 Connettore pinza massa
- 4 Presa positiva di potenza (+)

- ▶ Collegare il connettore del cavo della pinza portaelettrodo alla presa negativa (-) del generatore. Inserire la spina e ruotare in senso orario fino al completo fissaggio delle parti.
- ▶ Collegare il connettore del cavo della pinza di massa alla presa positiva (+) del generatore. Inserire la spina e ruotare in senso orario fino al completo fissaggio delle parti.

3.4.2 Collegamento per saldatura TIG

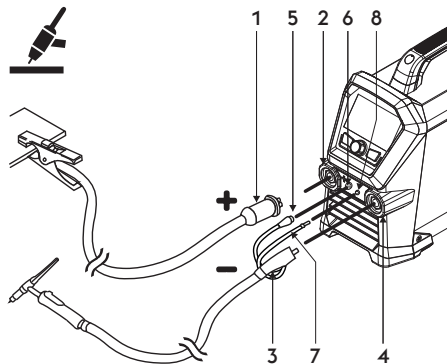


- 1 Connettore pinza massa
- 2 Presa positiva di potenza (+)
- 3 Attacco torcia TIG
- 4 Presa negativa di potenza (-)
- 5 Connettore tubo gas
- 6 Riduttore pressione

- ▶ Collegare il connettore del cavo della pinza di massa alla presa positiva (+) del generatore. Inserire la spina e ruotare in senso orario fino al completo fissaggio delle parti.
- ▶ Collegare l'attacco della torcia TIG alla presa torcia del generatore. Inserire la spina e ruotare in senso orario fino al completo fissaggio delle parti.

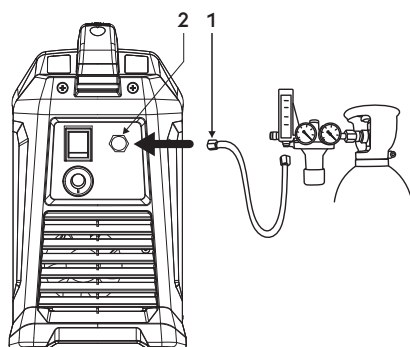
La regolazione del flusso del gas di protezione si attua agendo su un rubinetto generalmente posto sulla torcia.

- ▶ Collegare separatamente il connettore del tubo del gas della torcia alla distribuzione del gas stesso.



- 1 Connettore pinza massa
- 2 Presa positiva di potenza (+)
- 3 Attacco torcia TIG
- 4 Presa torcia
- 5 Cavo segnale torcia
- 6 Connettore
- 7 Tubo gas torcia
- 8 Raccordo-innesto

- ▶ Collegare il connettore del cavo della pinza di massa alla presa positiva (+) del generatore. Inserire la spina e ruotare in senso orario fino al completo fissaggio delle parti.
- ▶ Collegare il connettore della torcia TIG alla presa negativa (-) del generatore. Inserire la spina e ruotare in senso orario fino al completo fissaggio delle parti.
- ▶ Collegare il cavo di segnale della torcia all'apposito connettore.
- ▶ Collegare il tubo gas della torcia all'apposito raccordo/innesto.

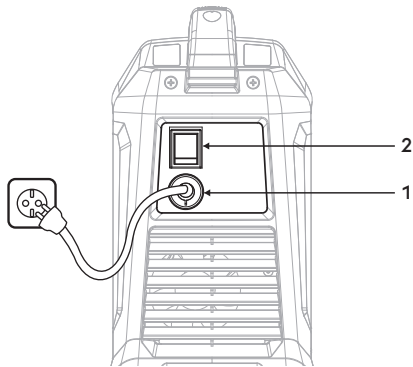


- 1 Tubo gas
- 2 Raccordo gas posteriore

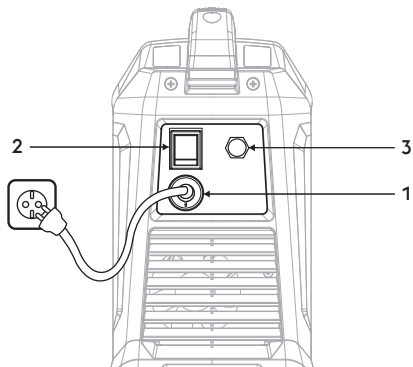
- ▶ Collegare il tubo gas proveniente dalla bombola al raccordo gas posteriore. Regolare il flusso gas da 5 a 15 l/min.

4. PRESENTAZIONE DELL'IMPIANTO

4.1 Pannello posteriore

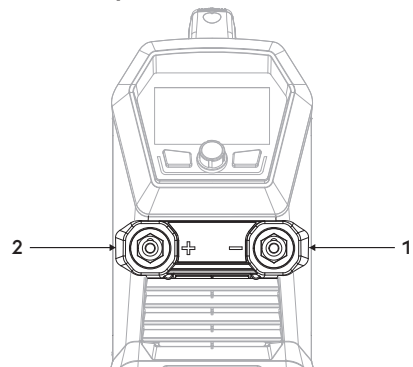


- 1 **Cavo di alimentazione**
Permette di alimentare l'impianto collegandolo alla rete.
- 2 **Interruttore di accensione**
Comanda l'accensione elettrica dell'impianto.
Ha due posizioni: "O" spento; "I" acceso.

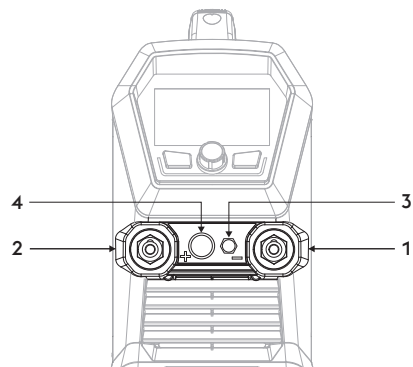


- 1 **Cavo di alimentazione**
Permette di alimentare l'impianto collegandolo alla rete.
- 2 **Interruttore di accensione**
Comanda l'accensione elettrica dell'impianto.
Ha due posizioni: "O" spento; "I" acceso.
- 3 **Attacco gas**

4.2 Pannello prese



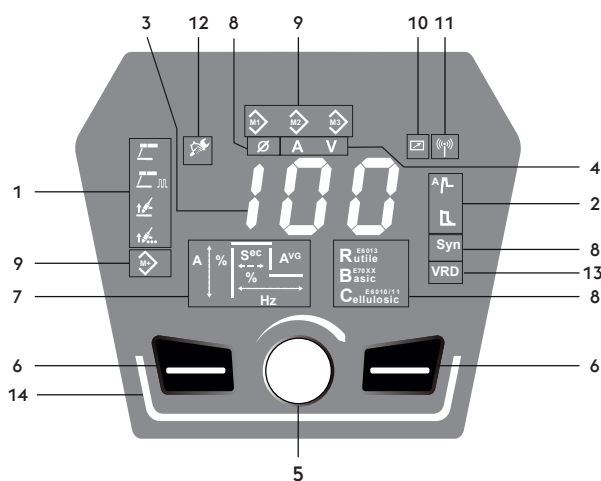
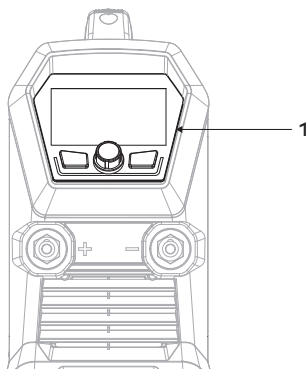
- 1 **Pres a negativa di potenza (-)**
Processo MMA: Connessione cavo di massa
Processo TIG: Connessione torcia
- 2 **Pres a positiva di potenza (+)**
Processo MMA: Connessione torcia ad elettrodo
Processo TIG: Connessione cavo di massa







- 1 **Pres a negativa di potenza (-)**
Processo MMA: Connessione cavo di massa
Processo TIG: Connessione torcia
- 2 **Pres a positiva di potenza (+)**
Processo MMA: Connessione torcia ad elettrodo
Processo TIG: Connessione cavo di massa
- 3 **Attacco gas**
- 4 **Innesto pulsante torcia**

4.3 Pannello comandi frontale

1 Pannello comandi frontale



1 **Selettore processo di saldatura**

Permette la selezione del procedimento di saldatura.

-  Processo di saldatura MMA
-  Processo di saldatura MMA Pulsato
-  Processo di saldatura TIG LIFT
-  Processo di saldatura TIG LIFT Puntatura

2 **Funzioni**

Permettono la selezione delle varie funzionalità dell'impianto:

-  Hot start
-  Arc force

3 **888 Display a 7 segmenti**

Permette di visualizzare le generalità della saldatrice in fase di partenza, le impostazioni e le letture di corrente e di tensione in saldatura, la codifica degli allarmi.

4 **Selettore Misure**

Permette di visualizzare sul display la corrente o la tensione reale di saldatura.

- A** Ampere
- V** Volt

5 **Manopola di regolazione principale**

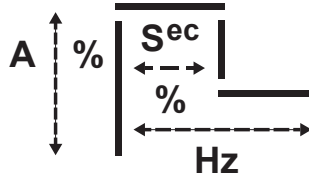
Permette di regolare con continuità la corrente di saldatura.

6  **Tasti funzione**

Permettono la selezione delle varie funzionalità dell'impianto:

7 **Parametri di saldatura**

Il grafico riportato sul pannello permette la selezione e la regolazione dei parametri di saldatura.



8 **Syn** Sinergia tipo di materiale

Permette la selezione della modalità di saldatura desiderata.

 Sinergia diametro elettrodo

R^{E6013}
Rutile

B^{E70XX}
Basic

C^{E6010/11}
Cellulosic

9  **Memorizzazione programma**

Permette la memorizzazione e la gestione di 3 job personalizzabili dall'operatore.

10  **Dispositivi esterni (RC)**

11  **Dispositivi esterni (wireless)**

12  **Allarme manutenzione**

13 **VRD** VRD (Voltage Reduction Device)

Dispositivo di riduzione tensione.

Permette di ridurre la tensione di uscita nei limiti previsti dalla normativa per l'utilizzo nei luoghi gravosi.

Funzione attiva (Verde)

Default:OFF (luce icona off)

Contattare il Service Dpt. per richiedere le istruzioni di attivazione (eq-service@voestalpine.com).

14 **Barre led**



Impianto acceso in stand by (Bianco)

Impianto acceso e arco innescato (Verde)

Impianto in allarme errore (Rosso)

Impianto in allarme warning (Arancione) (=25% ciclo di lavoro rimanente)

Impianto in configurazione wireless (Blu)

5. UTILIZZO DELL'IMPIANTO

5.1 Schermata principale



Schermata principale

1. Simbolo del processo di saldatura
 - Processo selezionato (Verde).
 - Processo disponibile (Bianco).
2. Simbolo della funzione
 - Funzione Abilitata (Bianco).
 - Selezione e regolazione del parametro desiderato (Verde.)
3. Selettore processo di saldatura.
4. Permette la selezione e la regolazione dei parametri di saldatura. (premere per scorrere e selezionare i parametri da aggiustare).
Permette la regolazione della corrente di saldatura. (ruotare per cambiare il valore).

5.2 Schermata principale processo MMA



Selezione processo di saldatura

1. Selezionare il processo desiderato premendo il tasto.
2. Processo selezionato (Verde).
3. Simbolo della funzione
 - Funzione Abilitata (Bianco).
 - Selezione e regolazione del parametro desiderato (Verde.)
4. Permette la selezione e la regolazione dei parametri di saldatura. (premere per scorrere e selezionare i parametri da aggiustare).
Permette la regolazione della corrente di saldatura. (ruotare per cambiare il valore).

Corrente di saldatura

Minimo	Massimo	Default
20 A	I _{max}	100 A

Impostazione dei parametri: Hot start

1. Selezionare il parametro desiderato premendo il tasto encoder.
2. Funzione selezionata per regolazione parametri (Verde).
3. Regolare il valore del parametro selezionato ruotando l'encoder.

Parametri di saldatura

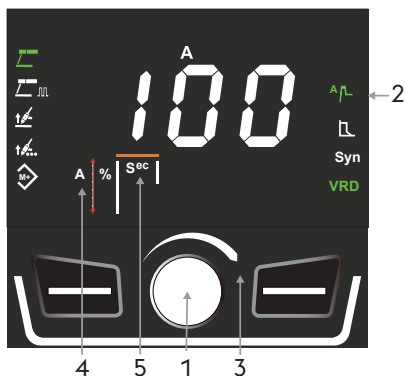
4. Corrente di start.
5. Tempo di start.

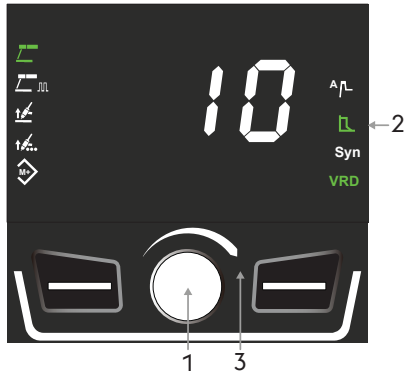
Corrente di start

Minimo	Massimo	Default
50%	200%	120%

Tempo di start

Minimo	Massimo	Default
0s	3s	0.5s





Impostazione dei parametri: Arc force

1. Selezionare il parametro desiderato premendo il tasto encoder.
2. Funzione selezionata per regolazione parametri (Verde).
3. Regolare il valore del parametro selezionato ruotando l'encoder.

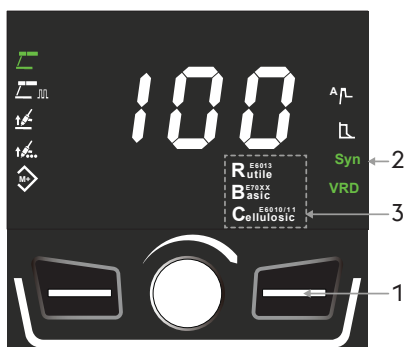
Parametri di saldatura

Arc force

Minimo	Massimo	Default
-10	+10	0

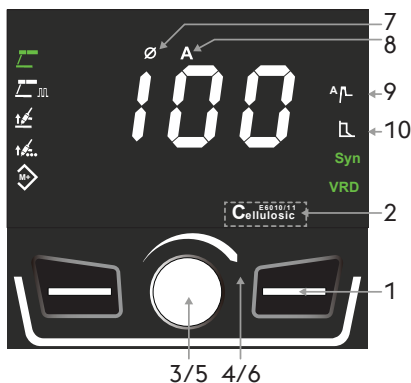
5.3 Selezione parametri sinergie

Funzionalità disponibile solo con processo MMA.



Abilitazione sinergia

1. Premere e tenere premuto il pulsante per 3 secondi per abilitare le funzioni delle sinergie.
2. Funzione Abilitata (Verde).
3. Sinergie (Bianco).



Impostazione dei parametri

1. Selezionare elettrodo desiderato premendo tasto
 - \emptyset : selezione diametro attivo.
 - Selezionare diametro desiderato ruotando encoder.
 - Dopo 3 secondi la regolazione corrente di saldatura torna disponibile.
2. Selezionare il programma desiderato premendo il tasto.
3. Sinergia
4. Selezionare il parametro diametro elettrodo premendo il tasto encoder.
5. Selezionare un valore diametro elettrodo ruotando l'encoder.
 - Automaticamente una preselezione di valori di parametri di saldatura verranno caricati.

I parametri di saldatura possono essere ulteriormente regolati:

6. Attivare la regolazione del parametro desiderato premendo il tasto encoder.
7. Regolare il valore del parametro selezionato ruotando l'encoder.

Parametri di saldatura

8. Sinergia diametro elettrodo.
9. Corrente di saldatura.
10. Hot start.
11. Arc force.

Elettrodo Rutilico

Diametro	Corrente di saldatura	Hot start	Arc force
2.0	40A	100% 0s	-5
2.5	60A	100% 0s	-5
3.2	100A	100% 0s	-5
4.0	135A	100% 0s	-5

Tabella valori default

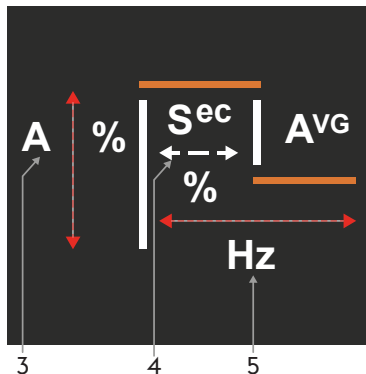
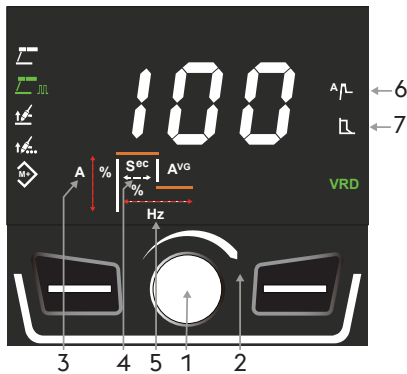
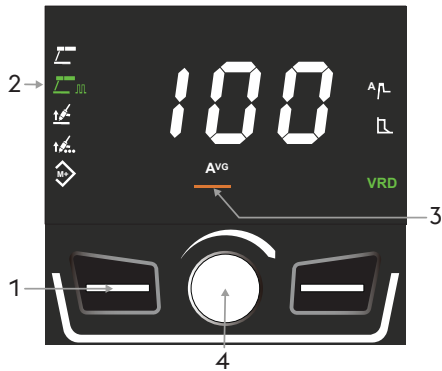
Elettrodo Basico

Diametro	Corrente di saldatura	Hot start	Arc force
2.0	65A	120% 0,5s	3
2.5	90A	120% 0,5s	3
3.2	130A	120% 0,5s	3
4.0	160A	120% 0,5s	3

Elettrodo Cellulosico

Diametro	Corrente di saldatura	Hot start	Arc force
2.0	55A	120% 0,5s	7
2.5	75A	120% 0,5s	7
3.2	110A	120% 0,5s	7
4.0	130A	120% 0,5s	7

5.4 Schermata principale processo MMA Pulsato



Selezione processo di saldatura

1. Selezionare il processo desiderato premendo il tasto.
2. Processo selezionato (Verde).
3. Corrente di saldatura (valore medio).
4. Permette la regolazione della corrente di saldatura.

Corrente di saldatura

Minimo	Massimo	Default
20 A	I _{max}	100 A

Impostazione dei parametri

1. Attivare la regolazione del parametro selezionato premendo il tasto encoder.
2. Regolare il valore del parametro selezionato ruotando l'encoder.

Parametri di saldatura

3. Pulsazione di corrente.
4. Duty cycle.
5. Frequenza di pulsazione.
6. Hot start.
7. Arc force.

Pulsazione di corrente

Minimo	Massimo	Default
100%	260%	140%

Duty cycle

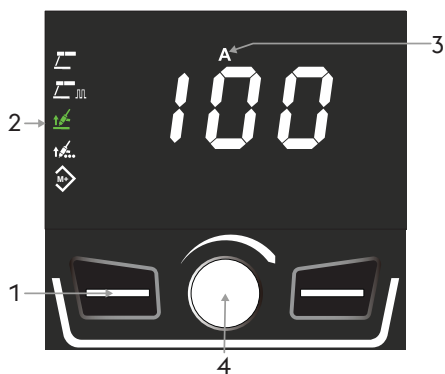
Minimo	Massimo	Default
10%	90%	50%

Frequenza di pulsazione

Minimo	Massimo	Default
0.2Hz	5Hz	0.2Hz

IT

5.5 Schermata principale processo TIG LIFT



Selezione processo di saldatura

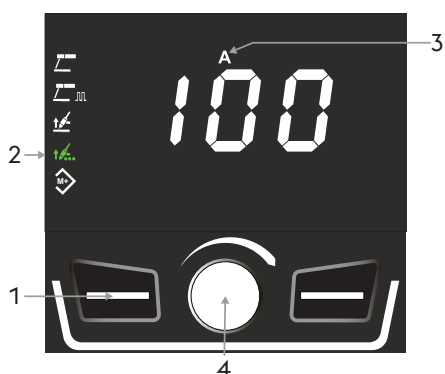
1. Selezionare il processo desiderato premendo il tasto.
2. Processo selezionato (Verde).
3. Corrente di saldatura.
4. Permette la regolazione della corrente di saldatura.

Corrente di saldatura

Minimo	Massimo	Default
10 A	Imax	100 A

Per l'impostazione dei parametri consultare il capitolo set up.

5.6 Schermata principale processo TIG LIFT Puntatura



Selezione processo di saldatura

1. Selezionare il processo desiderato premendo il tasto.
2. Processo selezionato (Verde).
3. Corrente di saldatura.
4. Permette la regolazione della corrente di saldatura.

Corrente di saldatura

Minimo	Massimo	Default
10 A	Imax	100 A

Impostazione dei parametri

1. Attivare la regolazione del parametro selezionato premendo il tasto encoder.
2. Regolare il valore del parametro selezionato ruotando l'encoder.

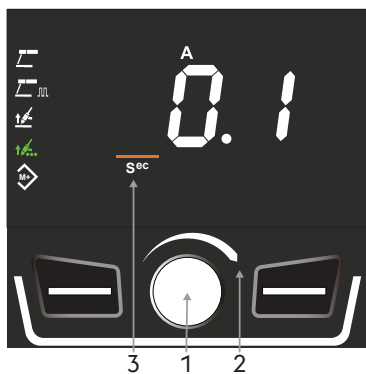
Parametri di saldatura

3. Tempo di saldatura.

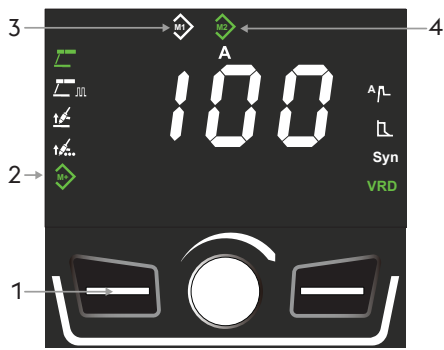
Tempo di saldatura

Minimo	Massimo	Default
0s	60s	0,5s

Per l'impostazione dei parametri consultare il capitolo set up.



5.7 Schermata programmi (JOB POINT)



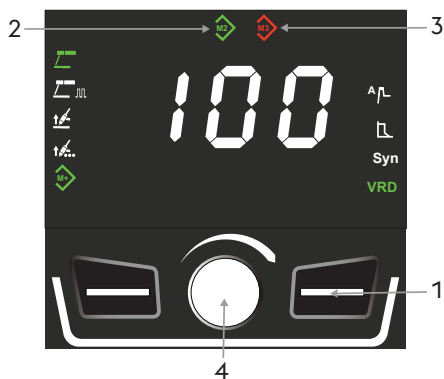
Schermata principale

1. Premere e tenere premuto il pulsante per 3 secondi.
2. Funzione Abilitata (Verde).
3. Memoria vuota (Bianco).
4. Programma memorizzato (Verde).



Memorizzazione programma

1. Selezionare lo slot di memoria desiderato premendo il tasto.
2. Memoria vuota (Bianco).
3. Per memorizzare i parametri di saldatura premere il tasto encoder (3 secondi). Il colore dell'icona dello slot di memoria cambierà da bianco a verde.



Richiamo programmi

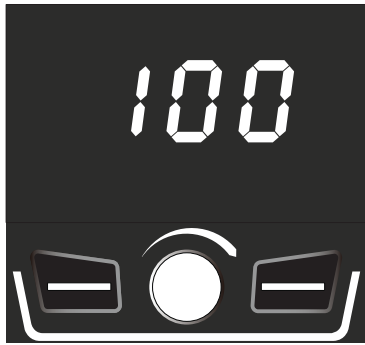
1. Selezionare il programma desiderato premendo il tasto.
2. Programma memorizzato (Verde).
3. La modifica dei parametri di saldatura oppure e la variazione del processo di saldatura, viene segnalata con il cambio di colore dell'icona dello slot di memoria in rosso.
4. Premere il tasto encoder fino a che l'icona dello slot ritorna verde per ripristinare i parametri iniziali memorizzati (3 secondi).



Cancellazione programma

1. Selezionare il programma desiderato premendo il tasto.
2. Programma memorizzato (Verde).
3. Cancellare il job premerendo il tasto encoder fino a che l'icona dello slot diventa bianca (3 secondi.)

5.8 Barra led



Barra led luce bianca

- ▶ Indica la presenza di tensione sulle prese d'uscita dell'impianto.
- ▶ Impianto pronto per saldare.



Barra led luce verde

- ▶ Indica impianto acceso e arco innescato.



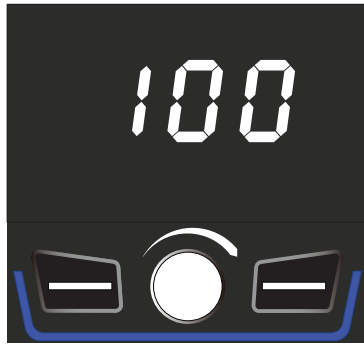
Barra led luce rossa

- ▶ Indica l'eventuale intervento dei dispositivi di protezione quali la protezione termica..



Barra led luce arancione

- ▶ Indica che l'impianto in saldatura ha raggiunto il 75% del suo ciclo di lavoro.
- ☞ Si consiglia l'interruzione momentanea della saldatura per evitare di mandare l'impianto in allarme termico.



Barra led luce blu

- ▶ Indica che l'impianto è collegato ad un dispositivo wireless.

5.9 Manutenzione adattativa



Manutenzione adattativa

- ▶ Indica che l'impianto ha già lavorato con arco acceso un congruo numero di ore.

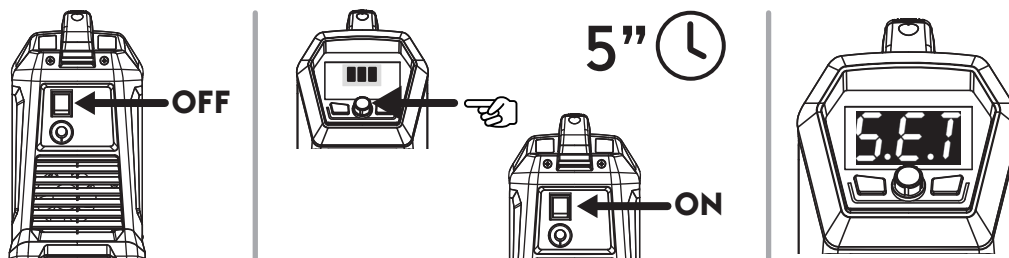
☞ Si consiglia di eseguire la manutenzione ordinaria.

Consultare la sezione "Set up" presente nel manuale del generatore.

6. SETUP

Permette l'impostazione e la regolazione di una serie di parametri aggiuntivi per una migliore e più precisa gestione dell'impianto di saldatura.

Ingresso a set up



- ▶ Spegnere il generatore impostando la levetta dell'interruttore "0".
- ▶ Accendere il generatore mantenendo premuto il tasto encoder.
- ▶ Mantenere premuto il pulsante encoder per 5 sec.
- ▶ L'entrata sarà confermata dalla scritta SEt sul display.

Selezione e regolazione del parametro desiderato

- ▶ Avviene ruotando l'encoder fino a visualizzare il codice numerico relativo al parametro desiderato.
- ▶ La pressione del tasto encoder, a questo punto, permette la visualizzazione del valore impostato per il parametro selezionato e la sua regolazione.

Uscita da set up

- ▶ Per uscire dal set up premere il tasto encoder per 5 secondi.

6.9.1 Elenco parametri a set up (TIG)

Pog Post gas

Permette di impostare e regolare il flusso di gas a fine saldatura.

Minimo	Massimo	Default
0 s	20.0 s	6.0 s

A1 Corrente iniziale (%-A)

Permette la regolazione della corrente di inizio saldatura.

Consente di ottenere un bagno di saldatura più o meno caldo nelle fasi immediatamente successive all'innesco.

Minimo	Massimo	Default
10 %	200 %	25 %

t1 Tempo corrente iniziale

Permette di impostare il tempo nel quale la corrente iniziale viene mantenuta.

Minimo	Massimo	Default
0 s	10 s	0.2 s

t uP Rampa di salita

Permette di impostare un passaggio graduale tra la corrente iniziale e la corrente di saldatura.

Minimo	Massimo	Default
0 s	10.0 s	0.5 s

t dn Rampa di discesa

Permette di impostare un passaggio graduale tra la corrente di saldatura e la corrente finale.

Minimo	Massimo	Default
0s	3s	0.5s

A2 Corrente finale (%-A)

Permette la regolazione della corrente finale.

Minimo	Massimo	Default
10 %	200 %	25 %

t2 Tempo corrente finale


Permette di impostare il tempo nel quale la corrente finale viene mantenuta.

Minimo	Massimo	Default
0 s	10.0 s	0.2 s

SPo Puntatura

Permette di abilitare il processo "puntatura" e di stabilire il tempo di saldatura. Consente la temporizzazione del processo di saldatura.

AcT sempre attiva

 Descrizione funzionamento con elettrovalvola gas.

Se si usa modello con rubinetto gas esterno è necessario aprire la valvola gas manualmente.

- ▶ Toccare con l'elettrodo il pezzo da saldare per far partire la fase di pre-gas.
- ▶ Innesco dell'arco in modalità Lift. Alzando la torcia dal pezzo si ha l'innesco dell'arco.
- ▶ L'arco resta attivo per il tempo prefissato.

2T 2 Tempi

 Descrizione funzionamento con elettrovalvola gas.

Se si usa modello con rubinetto gas esterno è necessario aprire la valvola gas manualmente.

- ▶ Toccare con l'elettrodo il pezzo da saldare.
- ▶ Alla pressione del pulsante torcia abbiamo il pre-gas.
- ▶ Innesco dell'arco in modalità Lift. Alzando la torcia dal pezzo si ha l'innesco dell'arco.
- ▶ L'arco resta attivo per il tempo prefissato.

Minimo	Massimo	Default
0.1 s	60.0 s	0.5 s

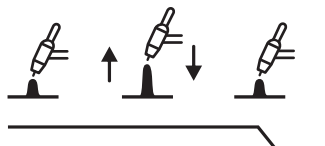
t r t Trigger Tig

AcT sempre attiva

 Descrizione funzionamento con elettrovalvola gas.

Se si usa modello con rubinetto gas esterno è necessario aprire la valvola gas manualmente.

- ▶ Toccare con l'elettrodo il pezzo da saldare per far partire la fase di pre-gas.
- ▶ Innescò dell'arco in modalità Lift. Alzando la torcia dal pezzo si ha l'innescò dell'arco.
- ▶ Effettuando una fluttuazione della torcia si ha lo spegnimento dell'arco mentre il gas continua a fluire per il tempo di post-gas.



2T 2 Tempi

 Descrizione funzionamento con elettrovalvola gas.

Se si usa modello con rubinetto gas esterno è necessario aprire la valvola gas manualmente.

- ▶ Toccare con l'elettrodo il pezzo da saldare.
- ▶ Alla pressione del pulsante torcia abbiamo il pre-gas.
- ▶ Innescò dell'arco in modalità Lift. Alzando la torcia dal pezzo si ha l'innescò dell'arco.
- ▶ Rilasciando il pulsante si ha lo spegnimento dell'arco mentre il gas continua a fluire per il tempo di post-gas.

4T 4 Tempi

 Descrizione funzionamento con elettrovalvola gas.

Se si usa modello con rubinetto gas esterno è necessario aprire la valvola gas manualmente.

- ▶ Toccare con l'elettrodo il pezzo da saldare.
- ▶ Premere il pulsante torcia per far partire la fase di pre-gas.
- ▶ Innescò dell'arco in modalità Lift. Alzando la torcia dal pezzo si ha l'innescò dell'arco con le dinamiche preimpostate. Rilasciando il pulsante torcia l'arco rimane attivo.
- ▶ Il rilascio del pulsante prima del completamento delle dinamiche provoca l'estinzione immediata dell'arco.
- ▶ Alla seconda pressione del pulsante si ha lo spegnimento dell'arco con le dinamiche di spegnimento arco, mentre il gas continua a fluire per il tempo di post-gas.
- ▶ Il rilascio del pulsante prima della fine delle sequenze di spegnimento provoca l'estinzione immediata dell'arco.

6.9.2 Elenco parametri a set up (configurazione unità)

di5 Tipo misura

Permette di impostare sul display la lettura della corrente di saldatura o della tensione.

Hod Hold Last Parameter

Se attivo, valori degli ultimi parametri di saldatura saranno visualizzati a display per cinque secondi dopo lo spegnimento dell'arco.

Fn Menù configurazione dell'impianto

Permette l'accesso al menù di configurazione impianto.

- ▶ Premere il tasto encoder per accedere al sottomenù.
- ▶ Ruotare l'encoder per selezionare la configurazione desiderata.
- ▶ Premere l'encoder per confermare.
- ▶ Di seguito le configurazioni disponibili.

- F1 Configurazione dell'impianto**
Configurazione dell'impianto: F1
- Processo di saldatura MMA
 - Processo di saldatura TIG LIFT
 - Funzione Abilitata: Hot start
 - Funzione Abilitata: Arc force
- F2 Configurazione dell'impianto**
Configurazione dell'impianto: F2
- Processo di saldatura MMA
 - Processo di saldatura TIG LIFT
 - Processo di saldatura TIG LIFT Puntatura
 - Funzione Abilitata: Hot start
 - Funzione Abilitata: Arc force
- F3 Configurazione dell'impianto**
Configurazione dell'impianto: F3
- Processo di saldatura MMA
 - Processo di saldatura TIG LIFT
 - Processo di saldatura TIG LIFT Puntatura
 - Funzione Abilitata: Hot start
 - Funzione Abilitata: Arc force
 - Funzione Abilitata: Sinergie
- F4 Configurazione dell'impianto**
Configurazione dell'impianto: F4
- Processo di saldatura MMA
 - Processo di saldatura MMA Pulsato
 - Processo di saldatura TIG LIFT
 - Processo di saldatura TIG LIFT Puntatura
 - Funzione Abilitata: Hot start
 - Funzione Abilitata: Arc force
 - Funzione Abilitata: Sinergie
- F5 Configurazione dell'impianto**
Configurazione dell'impianto: F5
- Processo di saldatura MMA
 - Processo di saldatura MMA Pulsato
 - Processo di saldatura TIG LIFT
 - Processo di saldatura TIG LIFT Puntatura
 - Funzione Abilitata: Hot start
 - Funzione Abilitata: Arc force
 - Funzione Abilitata: Programmi (JOB POINT)
 - Funzione Abilitata: Sinergie

SLP Sleep

Se attiva, dopo il tempo selezionato in secondi di inutilizzo, la macchina si pone in modalità spento. Impostare un valore di tempo compreso nel range

Valore	Tempo di inattività
OFF	Non attiva
180	180s
300	300s
600	600s
900	900s

Se r Manutenzione adattativa

Se attivo, l'accensione del simbolo di manutenzione a display indica che è consigliato eseguire la manutenzione.

Consultare la sezione "Set up" presente nel manuale del generatore.

Valore	Funzione
OFF	Non attiva
ON	Attiva
RST	Reset

rSt Reset

Permette di reimpostare tutti i parametri ai valori di default.

- ▶ Premere il tasto encoder per iniziare la procedura.
- ▶ Ruotare l'encoder fino al valore: ON
- ▶ Premere tasto funzione destro per 5 secondi.

7. MANUTENZIONE



L'impianto deve essere sottoposto ad una manutenzione ordinaria secondo le indicazioni del costruttore. Tutti gli sportelli di accesso e servizio e i coperchi devono essere chiusi e ben fissati quando l'apparecchio è in funzione. L'impianto non deve essere sottoposto ad alcun tipo di modifica. Evitare che si accumuli polvere metallica in prossimità e sulle alette di areazione.



L'eventuale manutenzione deve essere eseguita esclusivamente da personale qualificato. La riparazione o la sostituzione di parti dell'impianto da parte di personale non autorizzato comporta l'immediata invalidazione della garanzia del prodotto. L'eventuale riparazione o sostituzione di parti dell'impianto deve essere eseguita esclusivamente da personale tecnico qualificato.



Togliere l'alimentazione all'impianto prima di ogni intervento!

7.1 Controlli periodici

7.1.1 Impianto



Effettuare la pulizia interna utilizzando aria compressa a bassa pressione e pennelli a setola morbida. Controllare le connessioni elettriche e tutti i cavi di collegamento.

7.1.2 Per la manutenzione o la sostituzione dei componenti delle torce, della pinza portaelettrodo e/o del cavo massa:



Controllare la temperatura dei componenti ed accertarsi che non siano surriscaldati.



Utilizzare sempre guanti a normativa.



Utilizzare chiavi ed attrezzi adeguati.

7.2 Responsabilità



In mancanza di detta manutenzione, decadranno tutte le garanzie e comunque il costruttore viene sollevato da qualsiasi responsabilità. Nel caso l'operatore non si attenesse a quanto descritto, il costruttore declina ogni responsabilità. Per ogni dubbio e/o problema non esitare a consultare il più vicino centro di assistenza tecnica.

8. CODIFICA ALLARMI



ALLARME






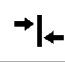



L'intervento di un allarme o il superamento di un limite di guardia critico causa una segnalazione visiva sul pannello comandi ed il blocco immediato delle operazioni di saldatura.



ATTENZIONE

Il superamento di un limite di guardia causa una segnalazione visiva sul pannello comandi ma consente di continuare le operazioni di saldatura.

Di seguito sono elencati tutti gli allarmi e i tutti i limiti di guardia relativi all'impianto.

 E01	Sovratemperatura		 E05	Sovracorrente	
 E13	Errore di comunicazione		 E36	Pulsante torcia premuto durante accensione impianto	
 E50	Filo incollato (automazione e robotica)				

9. DIAGNOSTICA E SOLUZIONI
Impianto non si accende

Causa	Soluzione
» Tensione di rete non presente sulla presa di alimentazione.	» Eseguire una verifica e procedere alla riparazione dell'impianto elettrico. » Rivolgersi a personale specializzato.
» Spina o cavo di alimentazione difettoso.	» Sostituire il componente danneggiato. » Rivolgersi al più vicino centro di assistenza per la riparazione dell'impianto.
» Fusibile di linea bruciato.	» Sostituire il componente danneggiato.
» Interruttore di accensione difettoso.	» Sostituire il componente danneggiato. » Rivolgersi al più vicino centro di assistenza per la riparazione dell'impianto.
» Elettronica difettosa.	» Rivolgersi al più vicino centro di assistenza per la riparazione dell'impianto.

Assenza di potenza in uscita (l'impianto non salda)

Causa	Soluzione
» Pulsante torcia difettoso.	» Sostituire il componente danneggiato. » Rivolgersi al più vicino centro di assistenza per la riparazione dell'impianto.
» Impianto surriscaldato (allarme termico - barra led rossa).	» Attendere il raffreddamento dell'impianto senza spegnere l'impianto.
» Collegamento di massa non corretto.	» Eseguire il corretto collegamento di massa. » Consultare il capitolo "Messa in servizio".
» Elettronica difettosa. (Impianto in stanb by - barra led bianca)	» Rivolgersi al più vicino centro di assistenza per la riparazione dell'impianto.

Erogazione di potenza non corretta

Causa	Soluzione
» Errata selezione del processo di saldatura o selettore difettoso.	» Eseguire la corretta selezione del processo di saldatura.
» Errate impostazioni dei parametri e delle funzioni dell'impianto.	» Eseguire un reset dell'impianto e reimpostare i parametri di saldatura.
» Potenzimetro/encoder per la regolazione della corrente di saldatura difettoso.	» Sostituire il componente danneggiato. » Rivolgersi al più vicino centro di assistenza per la riparazione dell'impianto.
» Tensione di rete fuori range.	» Eseguire il corretto allacciamento dell'impianto. » Consultare il capitolo "Allacciamento".
» Elettronica difettosa.	» Rivolgersi al più vicino centro di assistenza per la riparazione dell'impianto.

10. ISTRUZIONI OPERATIVE

10.1 Saldatura con elettrodo rivestito (MMA)

Preparazione dei lembi

Per ottenere buone saldature è sempre consigliabile operare su parti pulite, libere da ossido, ruggine o altri agenti contaminanti.

Scelta dell'elettrodo

Il diametro dell'elettrodo da impiegare dipende dallo spessore del materiale, dalla posizione, dal tipo di giunto e dal tipo di cianfrino.

Elettrodi di grosso diametro richiedono correnti elevate con conseguente elevato apporto termico nella saldatura.

Tipo di rivestimento	Proprietà	Impiego
Rutilo	Facilità d'impiego	Tutte le posizioni
Acido	Alta velocità fusione	Piano
Basico	Caratt. meccaniche	Tutte le posizioni
Cellulosico	Maggiore penetrazione	Tutte le posizioni

Scelta della corrente di saldatura

Il range della corrente di saldatura relativa al tipo di elettrodo impiegato viene specificato dal costruttore sul contenitore stesso degli elettrodi.

Accensione e mantenimento dell'arco

L'arco elettrico si stabilisce sfregando la punta dell'elettrodo sul pezzo da saldare collegato al cavo massa e, una volta scoccato l'arco, ritraendo rapidamente la bacchetta fino alla distanza di normale saldatura.

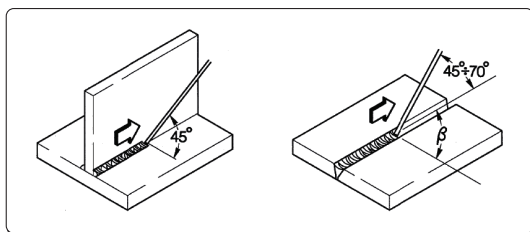
Per migliorare l'accensione dell'arco è utile, in generale, un incremento iniziale di corrente rispetto alla corrente base di saldatura (Hot Start).

Una volta instauratosi l'arco elettrico inizia la fusione della parte centrale dell'elettrodo che si deposita sotto forma di gocce sul pezzo da saldare.

Il rivestimento esterno dell'elettrodo fornisce, consumandosi, il gas protettivo per la saldatura che risulta così di buona qualità.

Per evitare che le gocce di materiale fuso, cortocircuitando l'elettrodo col bagno di saldatura, a causa di un accidentale avvicinamento tra i due, provochino lo spegnimento dell'arco è molto utile un momentaneo aumento della corrente di saldatura fino al termine del cortocircuito (Arc Force).

Nel caso in cui l'elettrodo rimanga incollato al pezzo da saldare è utile ridurre al minimo la corrente di cortocircuito (anti-sticking).



Esecuzione della saldatura

L'angolo di inclinazione dell'elettrodo varia a seconda del numero delle passate, il movimento dell'elettrodo viene eseguito normalmente con oscillazioni e fermate ai lati del cordone in modo da evitare un accumulo eccessivo di materiale d'apporto al centro.

Asportazione della scoria

La saldatura mediante elettrodi rivestiti impone l'asportazione della scoria successivamente ad ogni passata.

L'asportazione viene effettuata mediante un piccolo martello o attraverso la spazzolatura nel caso di scoria friabile.

10.2 Saldatura TIG (arco continuo)

Descrizione

Il procedimento di saldatura TIG (Tungsten Inert Gas) basa i suoi principi su di un arco elettrico che scocca tra un elettrodo infusibile (tungsteno puro o legato, avente temperatura di fusione a circa 3370°C) ed il pezzo; una atmosfera di gas inerte (Argon) provvede alla protezione del bagno.

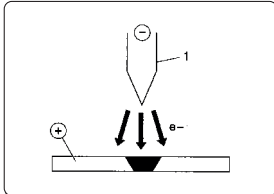
Per evitare pericolose inclusioni di tungsteno nel giunto l'elettrodo non deve mai venire a contatto con il pezzo da saldare, per questo motivo si crea tramite un generatore H.F. una scarica che permette l'innesco a distanza dell'arco elettrico.

Esiste anche un altro tipo di partenza, con inclusioni di tungsteno ridotte: la partenza in lift, che non prevede alta frequenza ma una situazione iniziale di corto circuito a bassa corrente tra l'elettrodo e il pezzo; nel momento in cui si solleva l'elettrodo si instaura l'arco e la corrente aumenta fino al valore di saldatura impostato.

Per migliorare la qualità della parte finale del cordone di saldatura è utile poter controllare con precisione la discesa della corrente di saldatura ed è necessario che il gas fluisca nel bagno di saldatura per alcuni secondi dopo l'estinzione dell'arco.

In molte condizioni operative è utile poter disporre di 2 correnti di saldatura preimpostate e di poter passare facilmente da una all'altra (BILEVEL).

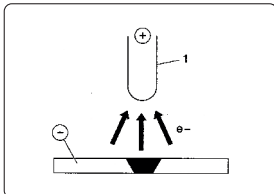
Polarità di saldatura



D.C.S.P. (Direct Current Straight Polarity)

È la polarità più usata (polarità diretta), consente una limitata usura dell'elettrodo in quanto il 70% del calore si concentra sull'anodo (pezzo).

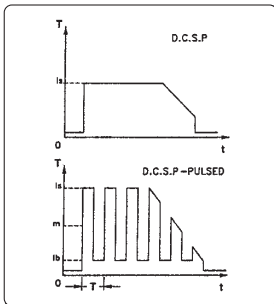
Si ottengono bagni stretti e profondi con elevate velocità di avanzamento e, conseguentemente, basso apporto termico.



D.C.R.P. (Direct Current Reverse Polarity)

La polarità è inversa e consente la saldatura di leghe ricoperte da uno strato di ossido refrattario con temperatura di fusione superiore a quella del metallo.

Non si possono usare elevate correnti in quanto provocherebbero una elevata usura dell'elettrodo.



D.C.S.P.-Pulsed (Direct Current Straight Polarity Pulsed)

L'adozione di una corrente continua pulsata permette un miglior controllo del bagno di saldatura in particolari condizioni operative.

Il bagno di saldatura viene formato dagli impulsi di picco (I_p), mentre la corrente di base (I_b) mantiene l'arco acceso; questo facilita la saldatura di piccoli spessori con minori deformazioni, migliore fattore di forma e conseguente minor pericolo di cricche a caldo e di inclusioni gassose.

Con l'aumentare della frequenza (media frequenza) si ottiene un arco più stretto, più concentrato e più stabile ed una ulteriore maggiore qualità della saldatura di spessori sottili.

Caratteristiche delle saldature TIG

Il procedimento TIG risulta molto efficace nella saldatura degli acciai sia al carbonio che legati, per la prima passata sui tubi e nelle saldature che debbono presentare ottimo aspetto estetico.

È richiesta la polarità diretta (D.C.S.P.).

Preparazione dei lembi

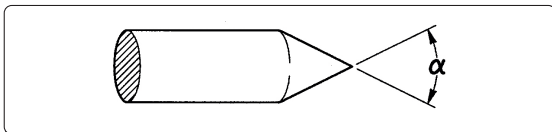
Il procedimento richiede un'attenta pulizia dei lembi e una loro accurata preparazione.

Scelta e preparazione dell'elettrodo

Si consiglia l'uso di elettrodi ceriati o lantaniati, in alternativa elettrodi di ossidi misti di terre rare con i seguenti diametri:

Gamma di corrente			Elettrodo	
(DC-)	(DC+)	(AC)	Ø	α
3-20 A	-	3-20 A	0,5 mm	30°
15-80 A	-	20-30 A	1,0 mm	30-60°
70-150 A	10-20 A	30-80 A	1,6 mm	60-90°
150-250 A	15-30 A	60-130 A	2,4 mm	90-120°
250-400 A	25-40 A	100-180 A	3,2 mm	120-150°
400-500 A	40-55 A	160-240 A	4,0 mm	150-180°
500-750 A	55-80 A	190-300 A	4,8 mm	150-180°
750-1100 A	80-125 A	325-450 A	6,4 mm	150-180°

L'elettrodo va appuntito come indicato in figura.



Materiale d'apporto

Le bacchette d'apporto devono possedere proprietà meccaniche paragonabili a quelle del materiale base.

È sconsigliato l'uso di strisce ricavate dal materiale base, in quanto possono contenere impurità dovute alla lavorazione, tali da compromettere le saldature.

Gas di protezione

Praticamente viene usato sempre argon puro (99.99%).

Gamma di corrente			Gas	
(DC-)	(DC+)	(AC)	Ugello	Flusso
3-20 A	-	3-20 A	n° 4	5-6 l/min
15-80 A	-	20-30 A	n° 5	6-8 l/min
70-150 A	10-20 A	30-80 A	n° 6	7-10 l/min
150-250 A	15-30 A	60-130 A	n° 7	8-12 l/min
250-400 A	25-40 A	100-180 A	n° 8	10-14 l/min
400-500 A	40-55 A	160-240 A	n° 8	12-16 l/min
500-750 A	55-80 A	190-300 A	n° 10	15-20 l/min
750-1100 A	80-125 A	325-450 A	n° 12	20-25 l/min

11. CARATTERISTICHE TECNICHE


Caratteristiche elettriche			U.M.
CORE 185 MMA			
Tensione di alimentazione U1 (50/60 Hz)	1x115 (±15%)	1x230 (±15%)	Vac
Zmax (@PCC) *	658	658	mΩ
Fusibile linea ritardato (MMA)	30	30	A
Fusibile linea ritardato (TIG)	30	30	A
Tipo di comunicazione	DIGITALE	DIGITALE	
Potenza massima assorbita (MMA)	3.24	6.44	kVA
Potenza massima assorbita (MMA)	2.68	5.1	kW
Potenza massima assorbita (TIG)	3.24	6.44	kVA
Potenza massima assorbita (TIG)	2.68	5.1	kW
Potenza assorbita in stato inattivo	30	30	W
Fattore di potenza (PF) (MMA)	0.99	0.99	
Fattore di potenza (PF) (TIG)	0.99	0.99	
Rendimento (μ) (MMA)	87.2	90.3	%
Rendimento (μ) (TIG)	83.8	86.6	%
Cos φ	0.99	0.99	
Corrente massima assorbita I1max (MMA)	27	27	A
Corrente massima assorbita I1max (TIG)	18	24.5	A
Corrente effettiva I1eff (MMA)	13.5	13.5	A
Gamma di regolazione (MMA)	20-110	20-185	A
Gamma di regolazione (TIG)	10-140	10-185	A
Tensione a vuoto Uo (MMA)	76	76	Vdc
Tensione a vuoto Uo (TIG)	76	76	Vdc
Tensione a vuoto Ur (MMA)	15	15	Vdc
Tensione a vuoto Ur (TIG)	15	15	Vdc
Ciclo di lavoro			
CORE 185 MMA			U.M.
	1x115	1x230	
Ciclo di lavoro TIG (40°C)			
(X=25%)	140	185	A
(X=60%)	90	120	A
(X=100%)	70	93	A
Ciclo di lavoro MMA (40°C)			
(X=25%)	110	185	A
(X=60%)	71	120	A
(X=100%)	55	93	A

Caratteristiche fisiche CORE 185 MMA		U.M.
Grado di protezione IP	IP23S	
Classe isolamento	H	
Dimensioni (lxwxh)	429x172x316	mm
Peso	9.5	Kg
Sezione cavo di alimentazione	3x2.5	mm ²
Lunghezza cavo di alimentazione	3	m
Tipologia spina di alimentazione	16A 250V Type F	
Ventilazione	si	
Norme di costruzione	EN IEC 60974-1/A1:2019 EN 60974-10/A1:2015	

** Questa apparecchiatura è conforme ai requisiti della normativa EN / IEC 61000-3-11 se la massima impedenza di rete ammessa al punto di interfacciamento con la rete pubblica (punto di accoppiamento comune - point of common coupling, PCC) è inferiore o uguale al valore Z_{max} dichiarato. Se l'apparecchiatura è connessa alla rete pubblica a bassa tensione, è responsabilità dell'installatore o dell'utilizzatore assicurarsi, con l'eventuale consultazione del gestore della rete se necessario, che l'apparecchiatura possa essere connessa.*

** Questa apparecchiatura è conforme ai requisiti della normativa EN / IEC 61000-3-12.*

12. TARGA DATI



voestalpine Böhler Welding
 Arc Technology s.r.l.
 Via Palladio 19
 Onara (PD), Italy
 www.voestalpine.com/welding


CORE 185^{MMA}

Ser. no:

Par. no:

Designed in EU
Assembled in PRC

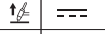
EVIDENCE OF TAMPERING VOIDS WARRANTY



EN IEC 60974-1
EN IEC 60974-10 Class A

20A/20.8V - 185A (110A) / 27.4V (24.4V)

X	25%	60%	100%
I ₂	185A (110A)	120A (71A)	93A (55A)
U ₂	27.4V (24.4V)	24.8V (22.8V)	23.7V (22.2V)



10A/10.4V - 185A (140A) / 17.4V (15.6V)

X	25%	60%	100%
I ₂	185A (140A)	120A (90A)	93A (70A)
U ₂	17.4V (15.6V)	14.8V (13.6V)	13.7V (12.8V)


1~50/60 Hz

IP 23 S


U₁ 230V (115V)

I_{rated} 27A (27A)

I_{max} 13.5A (13.5A)

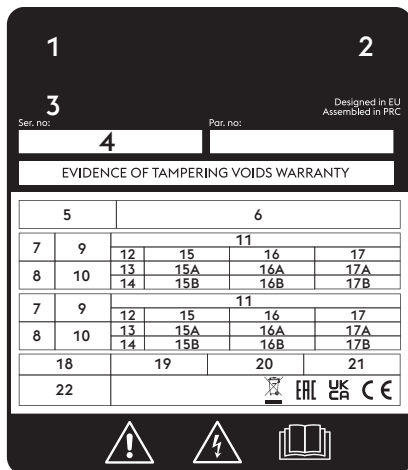


03.08.544



IT

13. SIGNIFICATO TARGA DATI

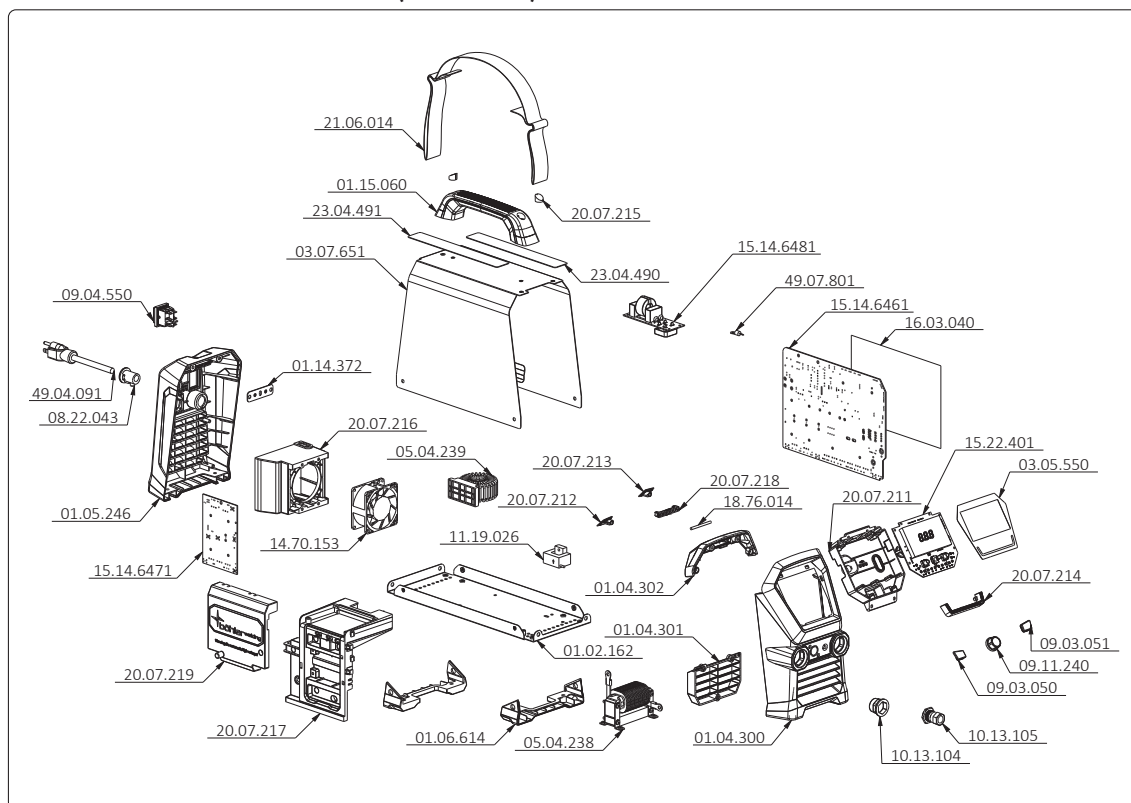


- CE Dichiarazione di conformità EU
- EAC Dichiarazione di conformità EAC
- UKCA Dichiarazione di conformità UKCA

- 1 Marchio di fabbricazione
- 2 Nome ed indirizzo del costruttore
- 3 Modello dell'apparecchiatura
- 4 N° di serie
XXXXXXXXXXXX Anno di fabbricazione
- 5 Simbolo del tipo di saldatrice
- 6 Riferimento alle norme di costruzione
- 7 Simbolo del processo di saldatura
- 8 Simbolo per le saldatrici idonee a lavorare in un ambiente a rischio accresciuto di scossa elettrica
- 9 Simbolo della corrente di saldatura
- 10 Tensione nominale a vuoto
- 11 Gamma della corrente nominale di saldatura massima e minima e della corrispondente tensione convenzionale di carico
- 12 Simbolo del ciclo di lavoro
- 13 Simbolo della corrente nominale di saldatura
- 14 Simbolo della tensione nominale di saldatura
- 15 Valori del ciclo di lavoro
- 16 Valori del ciclo di lavoro
- 17 Valori del ciclo di lavoro
- 15A Valori della corrente nominale di saldatura
- 16A Valori della corrente nominale di saldatura
- 17A Valori della corrente nominale di saldatura
- 15B Valori della tensione convenzionale di carico
- 16B Valori della tensione convenzionale di carico
- 17B Valori della tensione convenzionale di carico
- 18 Simbolo per l'alimentazione
- 19 Tensione nominale d'alimentazione
- 20 Massima corrente nominale d'alimentazione
- 21 Massima corrente efficace d'alimentazione
- 22 Grado di protezione

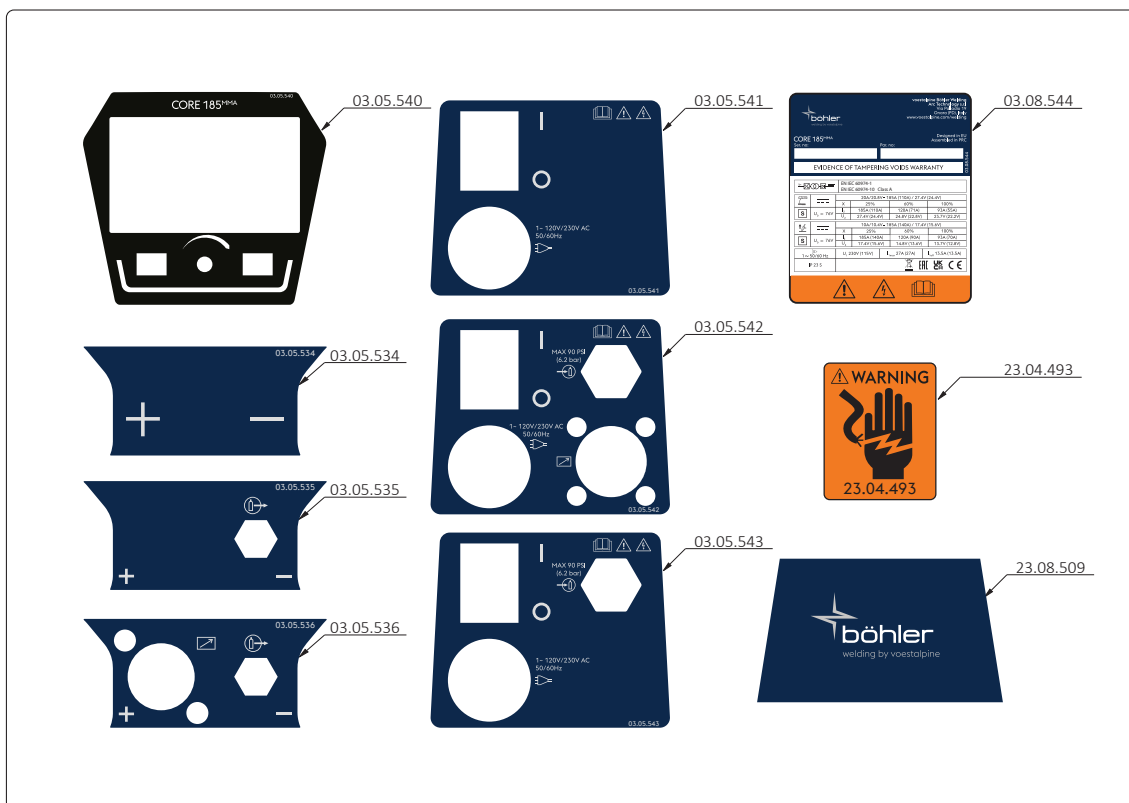
15. LISTA RICAMBI

CORE 185 MMA 1x120V 1x230V (55.22.002)



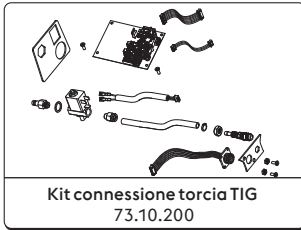
CODICE	DESCRIZIONE
01.02.162	Cofano inferiore
01.04.300	Cornice plastica frontale
01.04.301	Tassello plastico frontale
01.04.302	Tassello plastico frontale
01.05.246	Cornice plastica posteriore
01.06.614	Cornice plastica inferiore
01.14.372	Barra messa a terra
01.15.060	Manico
03.05.550	Targa comandi
03.07.651	Cofano fisso
05.04.238	Induttanza
05.04.239	Induttanza
08.22.043	Pressacavo
09.03.050	Pulsante
09.03.051	Pulsante
09.04.550	Interruttore
09.11.240	Manopola
10.13.104	Supporto prese
10.13.105	Presafissa 50-70mm ²
11.19.026	Sensore hall
14.70.153	Ventilatore
15.14.6461	Scheda elettronica
15.14.6471	Scheda elettronica

CODICE	DESCRIZIONE
15.14.6481	Scheda elettronica
15.22.401	Pannello comandi
16.03.040	Foglio di isolamento
18.76.014	Perno
20.07.211	Guscio pannello comandi
20.07.212	Tappo frontale SX
20.07.213	Tappo frontale DX
20.07.214	Cornice led frontale
20.07.215	Tappo
20.07.216	Supporto ventola
20.07.217	Supporto scheda
20.07.218	Supporto
20.07.219	Copertura pfc
21.06.014	Cinghia
23.04.490	Etichetta parametri elettrodo
23.04.491	Etichetta informativa
49.04.091	Cavo alimentazione 3.8m
49.07.801	Cablaggio



CODICE	DESCRIZIONE
03.08.544	Targa dati
03.05.534	Targa frontale
03.05.535	Targa frontale
03.05.536	Targa frontale
03.05.540	Targa frontale
03.05.541	Targa posteriore
03.05.542	Targa posteriore
03.05.543	Targa posteriore
23.04.493	Etichetta segnalazione
23.08.509	Etichetta laterale cofano

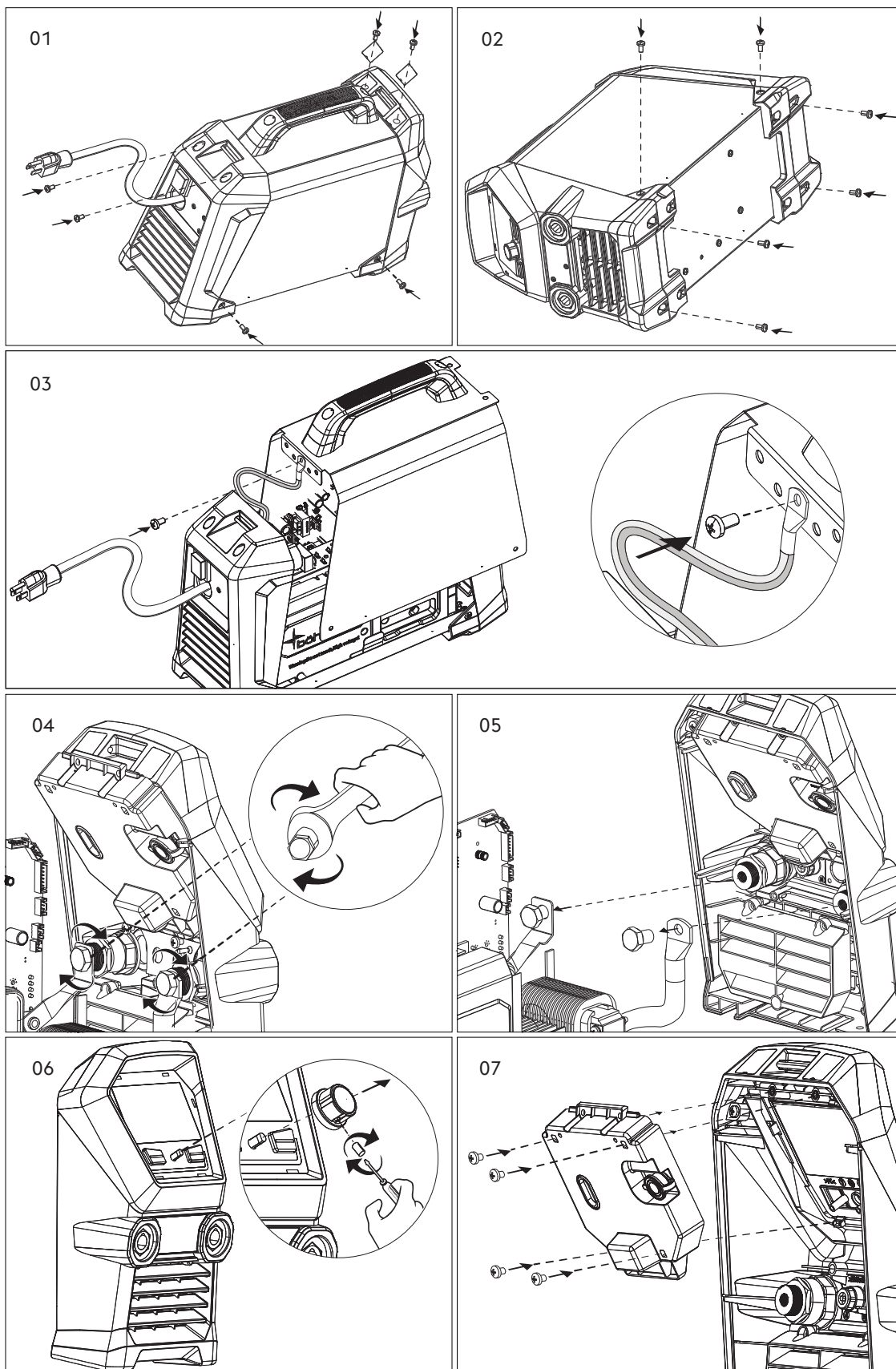
16. ACCESSORI

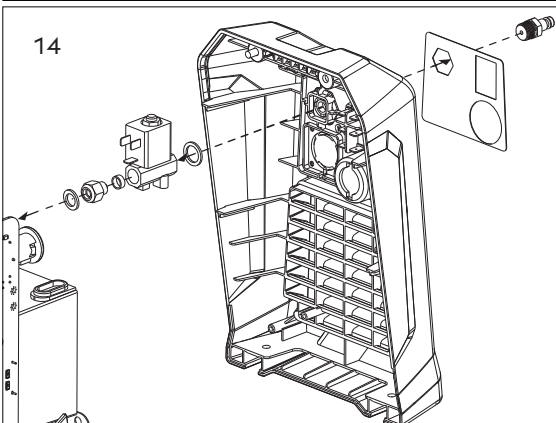
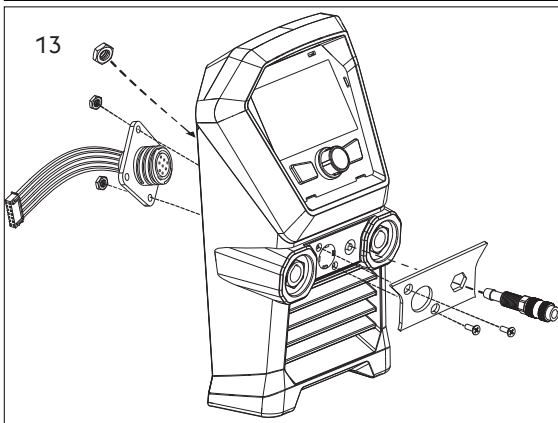
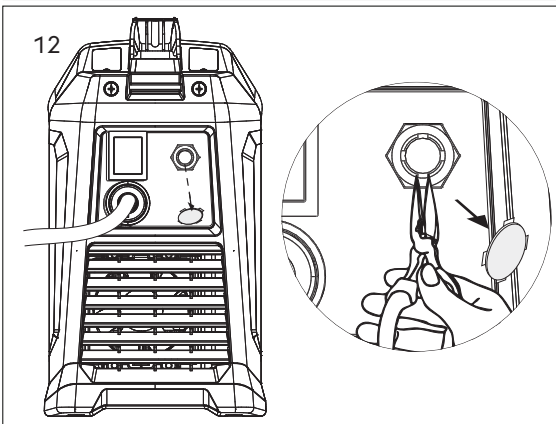
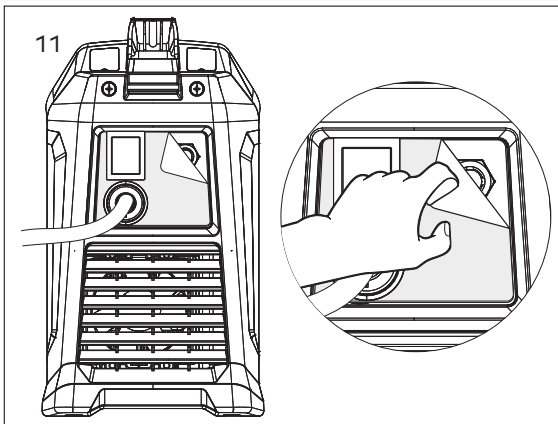
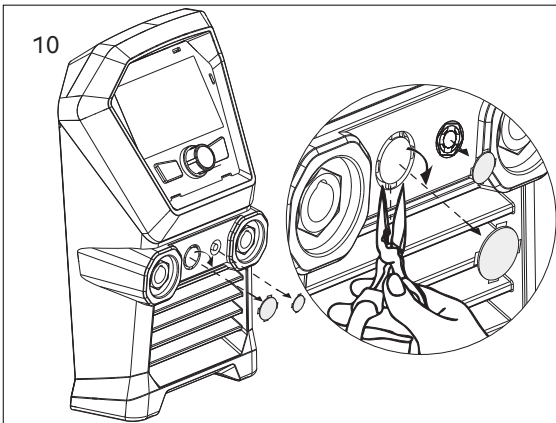
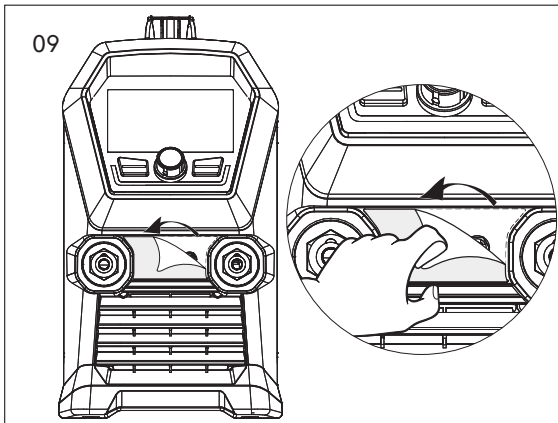
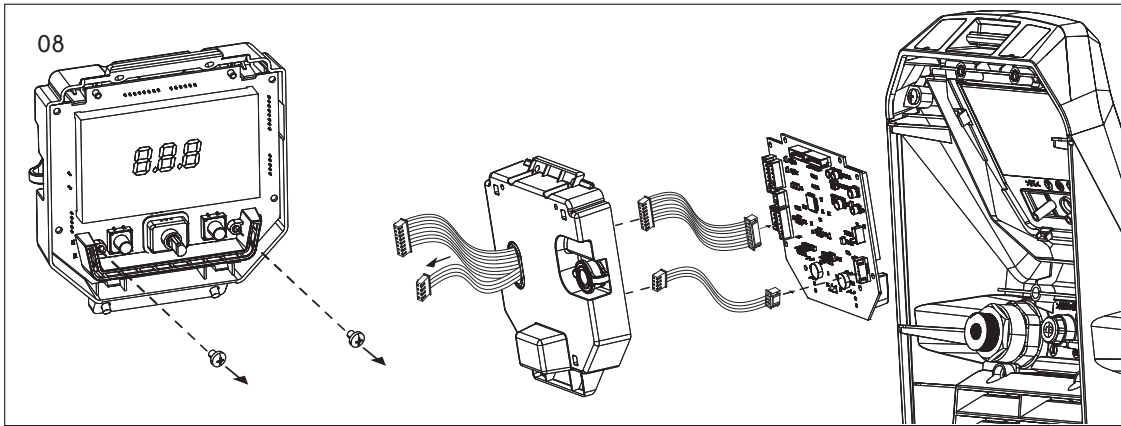


Consultare sezione "Installazione kit/accessori".

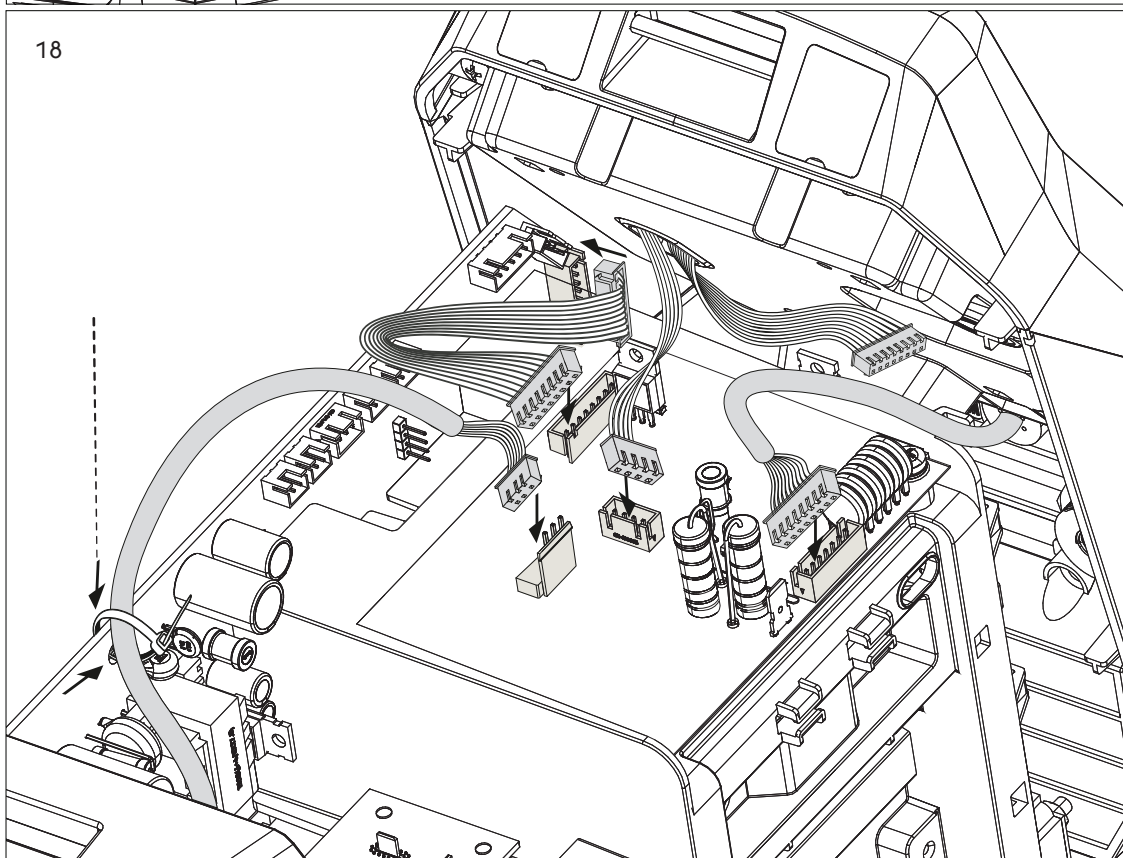
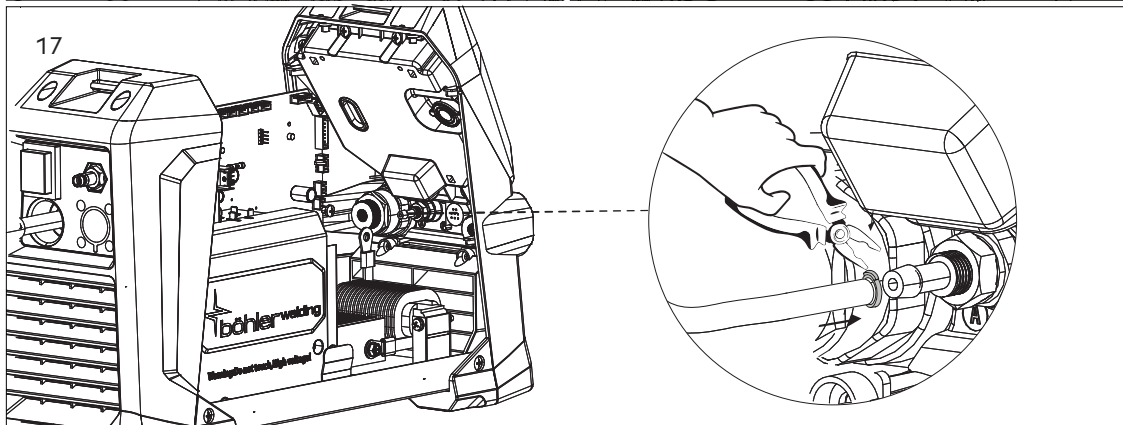
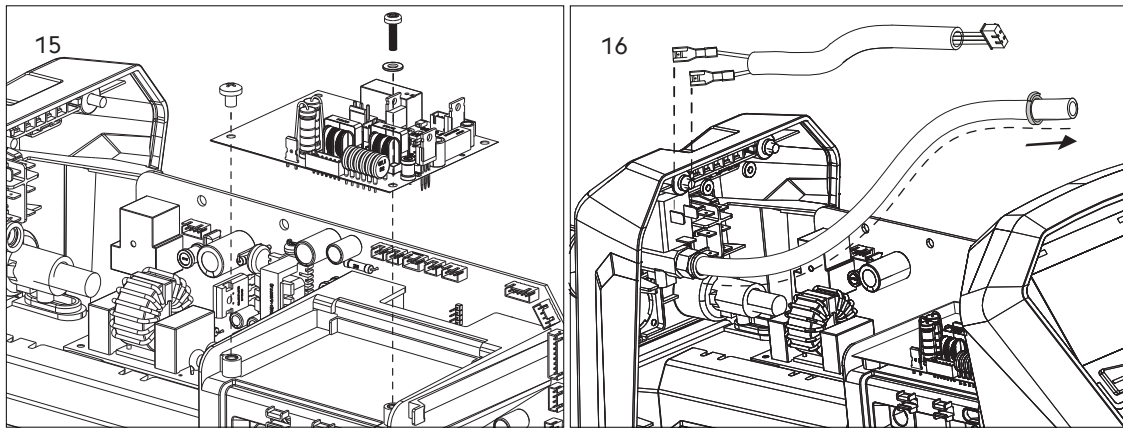
17. INSTALLAZIONE KIT/ACCESSORI

73.10.200 Kit connessione torcia TIG





IT



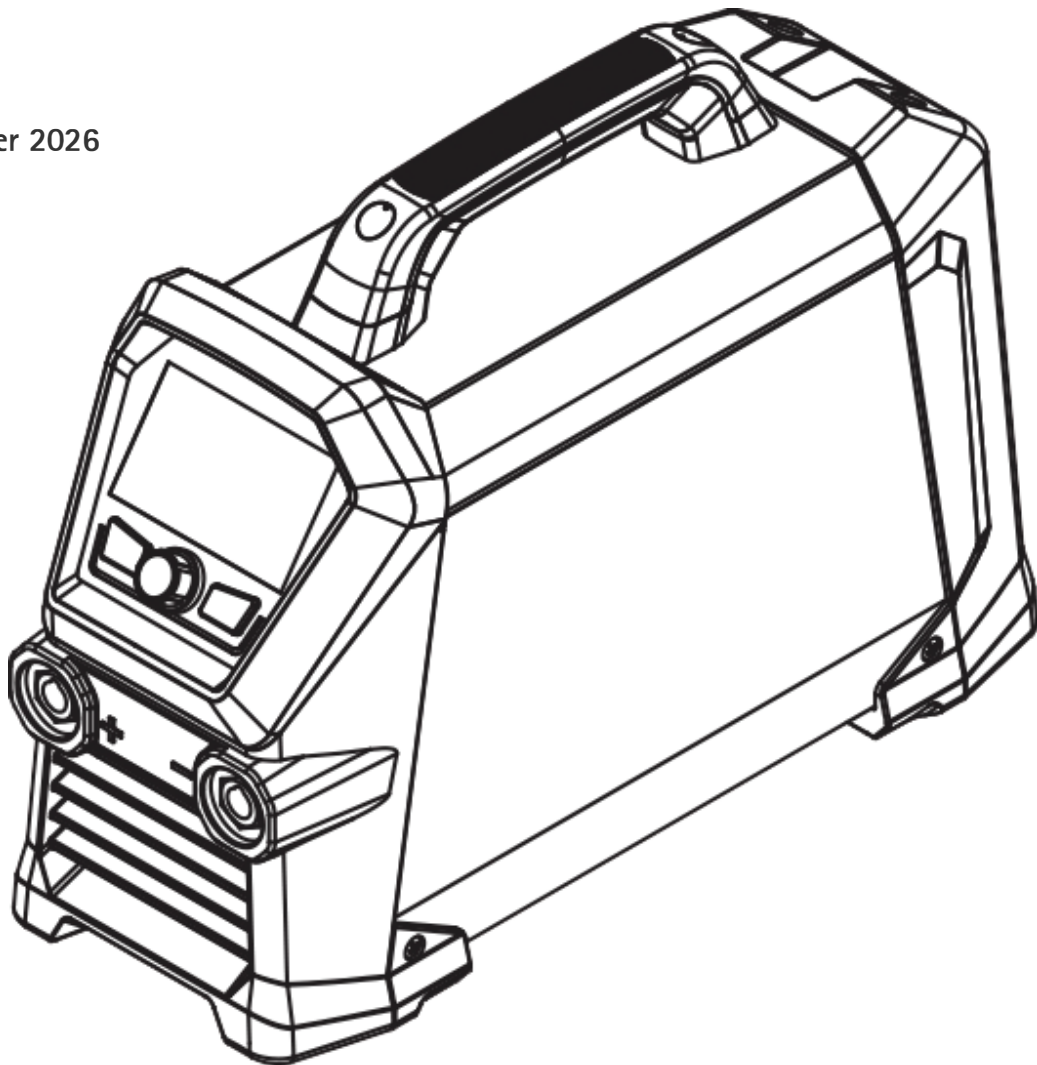
Lasting Connections

CORE 185 MMA

BEDIENUNGSANLEITUNG



reddot winner 2026





91.08.607
03/11/2025
Rev.A



CORE 185 MMA

EU-KONFORMITÄTSERKLÄRUNG

Der Bauarbeiter
voestalpine Böhler Welding Arc Technology S.r.l.
Via Palladio, 19 - 35019 Onara di Tombolo (PD) - ITALY
Tel. +39 049 9413/111 - Fax +39 049 9413/311 - www.voestalpine.com/welding

DE

erklärt unter seiner alleinigen Verantwortung, dass das folgende Produkt:

CORE 185 MMA **55.22.002**

den folgenden EU Richtlinien entspricht:

2014/35/EU LOW VOLTAGE DIRECTIVE

2014/30/EU EMC DIRECTIVE

2011/65/EU RoHS DIRECTIVE

2019/1784/EU EcoDesign

2009/125/EU EcoDesign

dass die folgenden harmonisierten Normen angewendet wurden:

EN IEC 60974-1/A1:2019 WELDING POWER SOURCE

EN 60974-10/A1:2015 ELECTROMAGNETIC COMPATIBILITY REQUIREMENTS

EN 50445:2008

EN IEC 63000:2018

Die Dokumentation, die die Einhaltung der Richtlinien bescheinigt, wird beim oben genannten Hersteller für Inspektionen aufbewahrt.

Jede von der Firma voestalpine Böhler Welding Arc Technology S.r.l. nicht genehmigte Änderung hebt die Gültigkeit dieser Erklärung auf.

Onara di Tombolo, 03/11/2025

voestalpine Böhler Welding Arc Technology S.r.l.



Mirco Frasson **Pawel Dawid Lipinski**

Managing Directors

INDEX

- 1. WARNHINWEIS 8**
- 1.1 Schutz vor Elektrischem Schlag 8
- 1.2 Rauch- und Gasschutz 8
- 1.3 Persönlicher Schutz und Schutz Dritter..... 9
- 1.4 Schutzmaßnahmen im Umgang mit Gasflaschen..... 9
- 1.5 Elektromagnetische Felder und Störungen 9
- 1.6 Brand-/Explosionsverhütung.....10
- 2. WARNUNG 11**
- 2.1 Arbeitsumgebung 11
- 2.2 Persönlicher Schutz und Schutz Dritter.....12
- 2.3 Rauch- und Gasschutz13
- 2.4 Brand-/Explosionsverhütung.....13
- 2.5 Schutzmaßnahmen im Umgang mit Gasflaschen.....13
- 2.6 Schutz vor Elektrischem Schlag.....14
- 2.7 Elektromagnetische Felder und Störungen14
- 2.8 Schutzart IP15
- 2.9 Entsorgung15
- 3. INSTALLATION 16**
- 3.1 Heben, Transportieren und Abladen16
- 3.2 Aufstellen der Anlage.....16
- 3.3 Elektrischer Anschluss.....16
- 3.4 Inbetriebnahme17
- 4. PRÄSENTATION DER ANLAGE..... 19**
- 4.1 Hintere Ansicht.....19
- 4.2 Front Anschluss Ansicht.....19
- 4.3 Frontbedienfeld.....20
- 5. VERWENDUNG VON GERÄTEN 22**
- 5.1 Haupt-Menü 22
- 5.2 Haupt Anzeige des E-Handschweißprozesses (MMA)..... 22
- 5.3 Auswahl der Synergieparameter 23
- 5.4 Hauptbildschirmseite des MMA-Puls-Schweißprozesses 25
- 5.5 Hauptbildschirmseite des WIG-Lift-Prozesses..... 26
- 5.6 Hauptbildschirmseite des WIG LIFT Punktschweißprozesses..... 26
- 5.7 Programm-Menü (JOB POINT)..... 27
- 5.8 LED-Leiste 28
- 5.9 Adaptive Wartung..... 29
- 6. SETUP..... 30**
- 7. WARTUNG 35**
- 7.1 Führen Sie folgende regelmäßige Überprüfungen am Generator durch 35
- 7.2 Verantwortung..... 35
- 8. ALARMCODES 36**
- 9. FEHLERSUCHE..... 37**
- 10. BETRIEBSANWEISUNGEN 38**
- 10.1 Schweißen mit Mantelelektroden (E-Hand-Schweißen) 38
- 10.2 WIG-Schweißen (kontinuierlicher Lichtbogen) 39
- 11. TECHNISCHE DATEN 41**
- 12. DATENSCHILD 43**
- 13. BEDEUTUNG DER ANGABEN AUF DEM LEISTUNGSSCHILD 44**
- 14. SCHALTPLAN 45**
- 15. ERSATZTEILVERZEICHNIS..... 46**
- 16. ZUBEHÖR 49**
- 17. INSTALLATION KITS/ZUBEHÖR..... 50**

SYMBOLE



Warnung



Verbote



Verpflichtungen




Allgemeine Hinweise


1. WARNHINWEIS




1.1 Schutz vor Elektrischem Schlag


 Ein Stromschlag kann tödlich sein.

- Üblicherweise unter Spannung stehende Innen- oder Außenteile der gespeisten Schweißanlage nicht berühren (Brenner, Zangen, Massekabel, Elektroden, Draht, Rollen und Spulen sind elektrisch mit dem Schweißstromkreis verbunden).
- Die elektrische Isolierung der Anlage durch Benutzung trockener und ausreichend vom Erd- und Massepotential isolierter Flächen und Untergestelle sicherstellen.
- Sicherstellen, dass die Anlage an einer Steckdose und einem Stromnetz mit Schutzleiter korrekt angeschlossen wird.
- Achtung: Nie zwei Schweißbrenner oder zwei Schweißzangen gleichzeitig berühren.
- Die Schweißarbeiten sofort abbrechen, wenn das Gefühl eines elektrischen Schlags wahrgenommen wird.

 Die Lichtbogenzündungs- und Stabilisierungsvorrichtung ist für manuell oder maschinell ausgeführte Arbeitsprozesse entworfen.

 Ein Verlängern der Brenner- oder Schweißkabel um mehr als 8m erhöht das Risiko eines Elektrischen Schlags.

1.2 Rauch- und Gasschutz

 Rauch, Gas und Staub, die durch das Schweißverfahren entstehen, können gesundheitsschädlich sein.

Der beim Schweißen entstehende Rauch kann unter bestimmten Umständen Krebs oder bei Schwangeren Auswirkungen auf das Ungeborene verursachen.

- Den Kopf fern von Schweißgasen und Schweißrauch halten.
- Im Arbeitsbereich für eine angemessene natürliche Lüftung bzw. Zwangsbelüftung sorgen.
- Bei ungenügender Belüftung sind Masken mit Atemgerät zu tragen.
- Wenn Schweißarbeiten in engen Räumen durchgeführt werden, sollte der Schweißer von einem außerhalb dieses Raums stehenden Kollegen beaufsichtigt werden.
- Wichtiger Hinweis: Keinen Sauerstoff für die Lüftung verwenden.
- Die Wirksamkeit der Absaugung überprüfen, indem die abgegebene Schadgasmenge regelmäßig mit den laut Sicherheitsvorschriften zulässigen Werten verglichen wird.
- Die Menge und Gefährlichkeit des erzeugten Schweißrauchs hängt vom benutzten Grundmaterial, vom Zusatzmaterial und den Stoffen ab, die man zur Reinigung und Entfettung der Werkstücke benutzt. Die Anweisungen des Herstellers und die entsprechenden technischen Datenblätter genau befolgen.
- Keine Schweißarbeiten in der Nähe von Entfettungs- oder Lackierarbeiten durchführen.
- Die Gasflaschen nur im Freien oder in gut belüfteten Räumen aufstellen.

1.3 Persönlicher Schutz und Schutz Dritter



Der Schweißvorgang verursacht schädliche Strahlungs-, Lärm-, Hitze- und Gasemissionen.

Erstellen Sie eine feuerfeste Trennwand, um den Schweißbereich vor Strahlen, Funken und leichter Schlacke zu schützen.

Anwesende dritte Personen darauf hinweisen, nicht in den Schweißlichtbogen oder das glühende Metall zu schauen und sich ausreichend zu schützen.



Soeben geschweißte Werkstücke nicht berühren: die Hitze kann schwere Verbrennungen verursachen.

Alle oben beschriebenen Sicherheitsvorschriften auch bei den Arbeitsschritten nach dem Schweißen berücksichtigen, da sich Zunder von den bearbeiteten und sich abkühlenden Werkstücken ablösen kann.



Masken mit seitlichem Gesichtsschutz und geeignetem Schutzfilter (mindestens Schutzstufe 10 oder höher) für die Augen tragen.

1.4 Schutzmaßnahmen im Umgang mit Gasflaschen



Inertgasflaschen enthalten unter Druck stehendes Gas und können explodieren, wenn das Mindestmaß an Sicherheitsanforderungen für Transport, Lagerung und Gebrauch nicht gewährleistet ist.

- Die Gasflaschen müssen senkrecht an der Wand oder in anderen dafür vorgesehenen Vorrichtungen befestigt werden, damit sie nicht umfallen oder etwas anderes beschädigen können.
- Die Schutzkappe festschrauben, um das Ventil beim Transport, der Inbetriebnahme und nach Ende eines jeden Schweißvorgangs zu schützen.
- Die Flaschen weder direkter Sonneneinstrahlung noch hohen Temperaturschwankungen aussetzen. Die Flaschen dürfen keinen allzu niedrigen oder hohen Temperaturen ausgesetzt werden.
- Die Gasflaschen dürfen nicht mit offenem Feuer, elektrischen Lichtbögen, Brennern oder Schweißzangen und nicht mit beim Schweißen verspritzten glühenden Teilchen in Berührung kommen.
- Die Gasflaschen von Schweiß- und Stromkreisen im Allgemeinen fernhalten.
- Beim Öffnen des Ventils den Kopf fern von der Auslassöffnung des Gases halten.
- Das Ventil der Gasflasche immer schließen, wenn die Schweißarbeiten beendet sind.
- Niemals Schweißarbeiten an einer unter Druck stehenden Gasflasche ausführen.
- Eine Druckgasflasche darf nie direkt an den Druckminderer des Schweißgerätes angeschlossen werden! Der Druck kann die Kapazität des Druckminderers übersteigen, welcher deswegen explodieren könnte!

1.5 Elektromagnetische Felder und Störungen



Der Strom, der durch die internen und externen Kabel der Anlage fließt, erzeugt in der unmittelbaren Nähe der Schweißkabel und der Anlage selbst ein elektromagnetisches Feld.

- Elektromagnetische Felder können die Gesundheit von Personen angreifen, die diesen langfristig ausgesetzt sind. (genaue Auswirkungen sind bis heute unbekannt).
- Elektromagnetische Felder können Störungen an Geräten wie Schrittmachern oder Hörgeräten verursachen.
- Die Träger lebenswichtiger elektronischer Apparaturen (Schrittmacher) müssen die Genehmigung des Arztes einholen, bevor sie sich Verfahren wie Lichtbogenschweißen.

1.6 Brand-/Explosionsverhütung



Das Schweißverfahren kann Feuer und/oder Explosionen verursachen.

- Alle entzündlichen bzw. brennbaren Stoffe oder Gegenstände aus dem Arbeitsbereich und aus dem umliegenden Bereich entfernen.
- Entzündliches Material muss mindestens 11m (35 Fuß) vom Ort, an dem geschweißt wird, entfernt sein oder entsprechend geschützt werden.
- Sprühende Funken und glühende Teilchen können leicht verstreut werden und benachbarte Bereiche auch durch kleine Öffnungen erreichen. Seien Sie beim Schutz von Personen und Gegenständen besonders aufmerksam.
- Keine Schweiß- oder Schneidarbeiten über oder in der Nähe von Druckbehältern ausführen.
- Keine Schweiß- oder Schneidarbeiten an geschlossenen Behältern oder Rohren durchführen. Beim Schweißen von Rohren oder Behältern besonders aufmerksam sein, auch wenn diese geöffnet, entleert und sorgfältig gereinigt wurden. Rückstände von Gas, Kraftstoff, Öl oder ähnlichen Substanzen können Explosionen verursachen.
- Nicht an Orten schweißen die explosive Staubteile, Gase oder Dämpfe enthalten.
- Nicht an Orten schneiden, die explosive Staubteile, Gase oder Dämpfe enthalten.
- Nach dem Schweißen sicherstellen, dass der unter Spannung stehende Kreis nicht zufällig Teile berühren kann, die mit dem Massekreis verbunden sind.
- In der Nähe des Arbeitsbereichs Feuerlöschgerät platzieren.

2. WARNUNG



Vor Arbeitsbeginn lesen Sie das Anleitsheft sorgfältig durch und vergewissern Sie sich, ob Sie alles richtig verstanden haben.

Nehmen Sie keine Änderungen vor und führen Sie keine hier nicht beschriebenen Instandhaltungsarbeiten durch. Der Hersteller haftet nicht für Personen- oder Sachschäden, die durch unsachgemäßen Gebrauch oder Nichteinhaltung der Vorgaben dieser Anleitung seitens des Benutzers verursacht werden.

Die Bedienungsanleitung ist ständig am Einsatzort des Gerätes aufzubewahren. Ergänzend zur Bedienungsanleitung sind die allgemein gültigen sowie die örtlichen Regeln zu Unfallverhütung und Umweltschutz zu beachten.

Die Firma **voestalpine Böhler Welding Arc Technology S.r.l.** behält sich das Recht vor, jederzeit und ohne Vorankündigung Änderungen in dieser Anleitung vorzunehmen.

Die Übersetzungen, Nachdruck und Bearbeitungsrechte liegen bei der Firma **voestalpine Böhler Welding Arc Technology S.r.l.** und Reproduktionen ohne schriftliche Genehmigung seitens der Firma **voestalpine Böhler Welding Arc Technology S.r.l.** sind in jeglicher Form (einschließlich Fotokopien, Filme und Mikrofilme) komplett oder auszugsweise verboten.

Die hier aufgeführten Vorschriften sind von grundlegender Bedeutung und notwendig, um den Garantieanspruch zu sichern.

Im Fall von unsachgemäßem Gebrauch oder Nichteinhaltung der Vorschriften seitens des Benutzers, lehnt der Hersteller jegliche Haftung ab.



Alle Personen, die mit der Inbetriebnahme, Bedienung, Wartung und Instandhaltung des Gerätes zu tun haben, müssen:

- entsprechend qualifiziert sein
- Kenntnisse vom Schweißen haben
- diese Bedienungsanleitung vollständig lesen und genau befolgen

Bei Fragen oder Unklarheiten im Umgang mit dem Gerät wenden Sie sich an Fachpersonal.

2.1 Arbeitsumgebung



Die gesamte Anlage darf ausschließlich für den Zweck verwendet werden, für den sie konzipiert wurde, auf die Art und in dem Umfang, der auf dem Leistungsschild und/oder im vorliegenden Handbuch festgelegt ist und gemäß den nationalen und internationalen Sicherheitsvorschriften. Ein anderer Verwendungszweck, als der ausdrücklich vom Hersteller angegebene, ist unsachgemäß und gefährlich. Der Hersteller übernimmt in solchen Fällen keinerlei Haftung.



Dieses Gerät darf nur für gewerbliche Zwecke im industriellen Umfeld angewendet werden. Der Hersteller haftet nicht für Schäden, die durch den Gebrauch der Anlage im Haushalt verursacht wurden.



Die Anlage darf nur bei Umgebungstemperaturen zwischen -10°C und +40°C (zwischen +14°F und +104°F) benutzt werden.

Die Anlage darf nur bei Umgebungstemperaturen zwischen -25°C und +55°C (zwischen -13°F und 131°F) befördert und gelagert werden.

Die Anlage darf nur in einer Umgebung benutzt werden, die frei von Staub, Säure, Gas und ätzenden Substanzen ist.

Die Anlage darf nicht in einer Umgebung mit einer relativen Luftfeuchte über 50% bei 40°C (104°F) benutzt werden.

Die Anlage darf nicht in einer Umgebung mit einer relativen Luftfeuchte über 90% bei 20°C (68°F) benutzt werden.

Die Anlage darf nicht in einer Höhe von mehr als 2000m über NN (6500 Fuß) benutzt werden.



Verwenden Sie das Gerät nicht, um Rohre aufzutauen.

Verwenden Sie das Gerät nicht, um Batterien und/oder Akkus aufzuladen.

Verwenden Sie das Gerät nicht, um Starthilfe an Motoren zu geben.

2.2 Persönlicher Schutz und Schutz Dritter



Der Schweißvorgang verursacht schädliche Strahlungs-, Lärm-, Hitze- und Gasemissionen. Erstellen Sie eine feuerfeste Trennwand, um den Schweißbereich vor Strahlen, Funken und leichter Schlacke zu schützen. Anwesende dritte Personen darauf hinweisen, nicht in den Schweißlichtbogen oder das glühende Metall zu schauen und sich ausreichend zu schützen.



Schutzkleidung anziehen, um die Haut vor Lichtbogenstrahlung, Funken und glühend heißem Metall zu schützen. Die getragene Kleidung muss den ganzen Körper bedecken und wie folgt beschaffen sein:

- unversehrt und in gutem Zustand
- feuerfest
- isolierend und trocken
- am Körper anliegend und ohne Aufschläge



Immer normgerechtes, widerstandsfähiges und wasserfestes Schuhwerk tragen.



Immer normgerechte Handschuhe tragen, die die elektrische und thermische Isolierung gewährleisten.



Masken mit seitlichem Gesichtsschutz und geeignetem Schutzfilter (mindestens Schutzstufe 10 oder höher) für die Augen tragen.



Immer Schutzbrillen mit Seitenschutz aufsetzen, insbesondere beim manuellen oder mechanischen Entfernen der Schweißschlacke.



Keine Kontaktlinsen tragen!



Gehörschutz tragen, wenn ein gefährlicher Lärmpegel beim Schweißen erreicht wird. Wenn der Geräuschpegel die gesetzlich festgelegten Grenzwerte überschreitet, den Arbeitsbereich abgrenzen und prüfen, ob die Personen, die diesen Bereich betreten, Gehörschutz tragen.



Die Seitenpaneele beim Schweißen immer geschlossen halten. Die Anlage darf keiner Änderung unterzogen werden.



Soeben geschweißte Werkstücke nicht berühren: die Hitze kann schwere Verbrennungen verursachen.



Alle oben beschriebenen Sicherheitsvorschriften auch bei den Arbeitsschritten nach dem Schweißen berücksichtigen, da sich Zunder von den bearbeiteten und sich abkühlenden Werkstücken ablösen kann.



Sicherstellen, dass der Brenner abgekühlt ist, bevor daran Arbeiten oder Wartungen ausgeführt werden.



Sicherstellen, dass das Kühlaggregat ausgeschaltet ist, bevor die Leitungen für den Vor- und Rücklauf der Kühlflüssigkeit abgetrennt werden. Die austretende heiße Flüssigkeit kann schwere Verbrennungen verursachen.



Einen Verbandskasten griffbereit halten.

Verbrennungen oder Verletzungen sind nicht zu unterschätzen.



Vor dem Verlassen des Arbeitsplatzes muss dieser gesichert werden, um Personen- und Sachschäden zu vermeiden.

2.3 Rauch- und Gasschutz



Rauch, Gas und Staub, die durch das Schweißverfahren entstehen, können gesundheitsschädlich sein.

Der beim Schweißen entstehende Rauch kann unter bestimmten Umständen Krebs oder bei Schwangeren Auswirkungen auf das Ungeborene verursachen.

- Den Kopf fern von Schweißgasen und Schweißrauch halten.
- Im Arbeitsbereich für eine angemessene natürliche Lüftung bzw. Zwangsbelüftung sorgen.
- Bei ungenügender Belüftung sind Masken mit Atemgerät zu tragen.
- Wenn Schweißarbeiten in engen Räumen durchgeführt werden, sollte der Schweißer von einem außerhalb dieses Raums stehenden Kollegen beaufsichtigt werden.
- Wichtiger Hinweis: Keinen Sauerstoff für die Lüftung verwenden.
- Die Wirksamkeit der Absaugung überprüfen, indem die abgegebene Schadgasmenge regelmäßig mit den laut Sicherheitsvorschriften zulässigen Werten verglichen wird.
- Die Menge und Gefährlichkeit des erzeugten Schweißrauchs hängt vom benutzten Grundmaterial, vom Zusatzmaterial und den Stoffen ab, die man zur Reinigung und Entfettung der Werkstücke benutzt. Die Anweisungen des Herstellers und die entsprechenden technischen Datenblätter genau befolgen.
- Keine Schweißarbeiten in der Nähe von Entfettungs- oder Lackierarbeiten durchführen.
- Die Gasflaschen nur im Freien oder in gut belüfteten Räumen aufstellen.

2.4 Brand-/Explosionsverhütung



Das Schweißverfahren kann Feuer und/oder Explosionen verursachen.

- Alle entzündlichen bzw. brennbaren Stoffe oder Gegenstände aus dem Arbeitsbereich und aus dem umliegenden Bereich entfernen.
- Entzündliches Material muss mindestens 11m (35 Fuß) vom Ort, an dem geschweißt wird, entfernt sein oder entsprechend geschützt werden.
- Sprühende Funken und glühende Teilchen können leicht verstreut werden und benachbarte Bereiche auch durch kleine Öffnungen erreichen. Seien Sie beim Schutz von Personen und Gegenständen besonders aufmerksam.
- Keine Schweiß- oder Schneidarbeiten über oder in der Nähe von Druckbehältern ausführen.
- Keine Schweiß- oder Schneidarbeiten an geschlossenen Behältern oder Rohren durchführen. Beim Schweißen von Rohren oder Behältern besonders aufmerksam sein, auch wenn diese geöffnet, entleert und sorgfältig gereinigt wurden. Rückstände von Gas, Kraftstoff, Öl oder ähnlichen Substanzen können Explosionen verursachen.
- Nicht an Orten schweißen die explosive Staubteile, Gase oder Dämpfe enthalten.
- Nach dem Schweißen sicherstellen, dass der unter Spannung stehende Kreis nicht zufällig Teile berühren kann, die mit dem Massekreis verbunden sind.
- In der Nähe des Arbeitsbereichs Feuerlöschgerät platzieren.

2.5 Schutzmaßnahmen im Umgang mit Gasflaschen



Inertgasflaschen enthalten unter Druck stehendes Gas und können explodieren, wenn das Mindestmaß an Sicherheitsanforderungen für Transport, Lagerung und Gebrauch nicht gewährleistet ist.

- Die Gasflaschen müssen senkrecht an der Wand oder in anderen dafür vorgesehenen Vorrichtungen befestigt werden, damit sie nicht umfallen oder etwas anderes beschädigen können.
- Die Schutzkappe festschrauben, um das Ventil beim Transport, der Inbetriebnahme und nach Ende eines jeden Schweißvorgangs zu schützen.
- Die Flaschen weder direkter Sonneneinstrahlung noch hohen Temperaturschwankungen aussetzen. Die Flaschen dürfen keinen allzu niedrigen oder hohen Temperaturen ausgesetzt werden.
- Die Gasflaschen dürfen nicht mit offenem Feuer, elektrischen Lichtbögen, Brennern oder Schweißzangen und nicht mit beim Schweißen verspritzten glühenden Teilchen in Berührung kommen.
- Die Gasflaschen von Schweiß- und Stromkreisen im Allgemeinen fernhalten.
- Beim Öffnen des Ventils den Kopf fern von der Auslassöffnung des Gases halten.
- Das Ventil der Gasflasche immer schließen, wenn die Schweißarbeiten beendet sind.
- Niemals Schweißarbeiten an einer unter Druck stehenden Gasflasche ausführen.
- Eine Druckgasflasche darf nie direkt an den Druckminderer des Schweißgerätes angeschlossen werden! Der Druck kann die Kapazität des Druckminderers übersteigen, welcher deswegen explodieren könnte!

2.6 Schutz vor Elektrischem Schlag



Ein Stromschlag kann tödlich sein.

- Üblicherweise unter Spannung stehende Innen- oder Außenteile der gespeisten Schweißanlage nicht berühren (Brenner, Zangen, Massekabel, Elektroden, Draht, Rollen und Spulen sind elektrisch mit dem Schweißstromkreis verbunden).
- Die elektrische Isolierung der Anlage durch Benutzung trockener und ausreichend vom Erd- und Massepotential isolierter Flächen und Untergestelle sicherstellen.
- Sicherstellen, dass die Anlage an einer Steckdose und einem Stromnetz mit Schutzleiter korrekt angeschlossen wird.
- Achtung: Nie zwei Schweißbrenner oder zwei Schweißzangen gleichzeitig berühren.
- Die Schweißarbeiten sofort abbrechen, wenn das Gefühl eines elektrischen Schlags wahrgenommen wird.



Die Lichtbogenzündungs- und Stabilisierungsvorrichtung ist für manuell oder maschinell ausgeführte Arbeitsprozesse entworfen.

2.7 Elektromagnetische Felder und Störungen



Die Träger lebenswichtiger elektronischer Apparaturen (Schrittmacher) müssen die Genehmigung des Arztes einholen, bevor sie sich Verfahren wie Lichtbogenschweißen.



Der Strom, der durch die internen und externen Kabel der Anlage fließt, erzeugt in der unmittelbaren Nähe der Schweißkabel und der Anlage selbst ein elektromagnetisches Feld.

- Elektromagnetische Felder können die Gesundheit von Personen angreifen, die diesen langfristig ausgesetzt sind. (genaue Auswirkungen sind bis heute unbekannt).
- Elektromagnetische Felder können Störungen an Geräten wie Schrittmachern oder Hörgeräten verursachen.

2.7.1 EMV in Übereinstimmung mit: EN 60974-10/A1:2015.



Anlagen der Klasse B entsprechen den elektromagnetischen Kompatibilitätsanforderungen in Mischgebieten, einschließlich Wohngebieten, in denen die elektrische Leistung von dem öffentlichen Niederspannungsversorgungsnetz geliefert wird.



Anlagen der Klasse A sind nicht für die Nutzung in Wohngebieten konzipiert, in denen die elektrische Leistung vom öffentlichen Niederspannungsversorgungsnetz geliefert wird. Es können potenzielle Schwierigkeiten beim Sicherstellen der elektromagnetischen Kompatibilität von Anlagen der Klasse A in diesen Umgebungen auftreten, aufgrund der ausgestrahlten Störgrößen.

Weitere Informationen finden Sie unter: DATENSCHILD oder TECHNISCHE DATEN.

2.7.2 Installation, Gebrauch und Bewertung des Bereichs

Dieses Gerät ist in Übereinstimmung mit den Angaben der harmonisierten Norm hergestellt EN 60974-10/A1:2015 und als Gerät der "KLASSE A" gekennzeichnet. Dieses Gerät darf nur für gewerbliche Zwecke im industriellen Umfeld angewendet werden. Der Hersteller haftet nicht für Schäden, die durch den Gebrauch der Anlage im Haushalt verursacht wurden.



Der Benutzer muss ein erfahrener Fachmann auf dem Gebiet sein und ist als solcher für die Installation und den Gebrauch des Geräts gemäß den Herstelleranweisungen verantwortlich. Wenn elektromagnetische Störungen festgestellt werden, muss der Benutzer des Gerätes das Problem lösen, wenn notwendig mit Hilfe des Kundendienstes des Herstellers.



In jedem Fall müssen die elektromagnetischen Störungen soweit reduziert werden, bis sie keine Belästigung mehr darstellen.



Bevor das Gerät installiert wird, muss der Benutzer die möglichen elektromagnetischen Probleme, die sich im umliegenden Bereich ergeben können, und insbesondere die Gesundheit, der sich in diesem Bereich aufhaltenden Personen - Träger von Schrittmachern und Hörgeräten - prüfen.

2.7.3 Anforderungen an die Netzversorgung

Hochleistungsanlagen können, aufgrund der Stromentnahme des Primärstroms aus der Netzversorgung, die Leistungsqualität des Netzes beeinflussen. Deshalb können Anschlussrichtlinien oder -anforderungen, unter Beachtung der maximal zulässigen Netzimpedanz (Z_{max}) oder der erforderlichen minimalen Netzkapazität (S_{sc}) an der Schnittstelle zum öffentlichen Netz (Netzübergabestelle) für einige Anlagentypen angewendet werden (siehe Technische Daten). In diesem Fall liegt es in der Verantwortung des Installateurs oder Betreibers der Anlage sicherzustellen, dass die Anlage angeschlossen werden darf, indem, falls notwendig, der Netzbetreiber konsultiert wird. Im Falle einer Störung können weitere Vorsichtsmaßnahmen notwendig sein; beispielsweise Filterung der Netzversorgung.

Es kann auch notwendig sein, das Versorgungskabel abzuschirmen.

Weitere Informationen finden Sie unter: TECHNISCHE DATEN.

2.7.4 Vorsichtsmaßnahmen für die Kabel

Um die Auswirkungen der elektromagnetischen Felder so gering wie möglich zu halten, sind folgende Maßnahmen zu treffen:

- Die Kabel nie um den Körper wickeln.
- Sich nicht zwischen Masse und Leistungskabel stellen (beide Kabel auf derselben Seite halten).
- Die Kabel müssen so kurz wie möglich sein, so dicht wie möglich beieinander liegen und am bzw. in der Nähe des Bodens verlaufen.
- Die Anlage in einem gewissen Abstand vom Bereich aufstellen, in dem geschweißt wird.
- Die Kabel müssen fern von anderen vorhandenen Kabeln verlegt sein.

2.7.5 Potentialausgleich

Der Erdanschluss aller Metallteile in der Schweißanlage (Schneidanlage) und in der Nähe derselben muss berücksichtigt werden. Die Vorschriften bezüglich des Potentialausgleiches beachten.

2.7.6 Erdung des Werkstücks

Wenn das Werkstück aus Gründen der elektrischen Sicherheit oder aufgrund seiner Größe und Lage nicht geerdet ist, könnte ein Erdanschluss des Werkstücks die Emissionen reduzieren. Es muss dringend beachtet werden, dass eine Erdung des Werkstücks weder die Unfallgefahr für den Bediener erhöhen noch andere elektrische Geräte beschädigen darf. Die Erdung muss gemäß den örtlichen Vorschriften erfolgen.

2.7.7 Abschirmung

Durch die selektive Abschirmung anderer Kabel und Geräte im umliegenden Bereich lassen sich die Probleme durch elektromagnetische Störungen reduzieren.

Die Abschirmung der gesamten Schweißanlage kann in besonderen Fällen in Betracht gezogen werden.

2.8 Schutzart IP



IP23S

- Gehäuse mit Schutz gegen Berührung gefährlicher Teile mit den Fingern und vor dem Eindringen von Fremdkörpern mit einem Durchmesser größer/gleich 12,5 mm.
- Gehäuse mit Schutz gegen Sprühwasser bis zu einem Winkel von 60° in Bezug auf die Senkrechte.
- Gehäuse mit Schutz gegen Schäden durch eindringendes Wasser, wenn die beweglichen Teile der Anlage im Stillstand sind.

2.9 Entsorgung






Das Elektrogerät nicht in den normalen Hausmüll geben!


Gemäß der europäischen Richtlinie 2012/19/EU über Elektro- und Elektronik-Altgeräte und der Umsetzung dieser Richtlinie in innerstaatliches Recht müssen die Geräte am Ende ihrer Nutzungsdauer getrennt gesammelt und einer Verwertungs- und Recyclingstelle zugeführt werden. Der Eigentümer des Geräts muss die autorisierten Sammelstellen durch Kontaktnahme der örtlichen Behörden in Erfahrung bringen. Durch die Einhaltung der Europäischen Richtlinie schützen Sie die Umwelt und die Gesundheit Ihrer Mitmenschen.

» Weitere Infos finden Sie auf der Website.

3. INSTALLATION

-  Die Installation darf nur von erfahrenem und vom Hersteller berechtigtem Personal ausgeführt werden.
-  Stellen Sie sicher, dass während der Installation der Generator vom Versorgungsnetz getrennt ist.
-  Die Zusammenschaltung mehrerer Generatoren (Reihen- oder Parallelschaltung) ist verboten.

3.1 Heben, Transportieren und Abladen


- Der Generator ist mit einem verlängerbaren Tragegurt versehen, der als Schultergurt oder zum Tragen mit der Hand benutzt werden kann.
- Die Anlage hat keine speziellen Hebevorrichtungen.
- Einen Gabelstapler einsetzen und dabei sehr vorsichtig sein, um ein Umkippen des Generators zu vermeiden.
-  Das Gewicht der Anlage ist nicht zu unterschätzen, siehe Technische Daten.
Bewegen oder platzieren Sie die angehängte Last nicht über Personen oder Gegenständen.
Lassen Sie das Gerät/die Anlage nicht fallen und üben Sie keinen übermäßigen Druck auf die Anlage aus.

3.2 Aufstellen der Anlage


-  **Folgende Vorschriften beachten:**


- Sorgen Sie für freien Zugang zu den Bedienelementen und Anschlüssen.
- Stellen Sie die Anlage nicht in engen Räumen auf.
- Stellen Sie die Anlage nie auf einer Fläche mit einer Neigung von mehr als 10° auf.
- Stellen Sie die Anlage an einem trockenen und sauberen Ort mit ausreichender Belüftung auf.
- Schützen Sie die Anlage vor strömenden Regen und Sonne.
- » Siehe Abschnitt "Schutzmaßnahmen im Umgang mit Gasflaschen".


3.3 Elektrischer Anschluss


-  Der Generator ist mit einem Stromkabel für den Anschluss an das Stromnetz versehen.
Die Anlage kann gespeist werden mit:
 - 115V einphasig
 - 230V einphasig

Der Betrieb des Geräts wird für Spannungsabweichungen vom Nennwert bis zu $\pm 15\%$ garantiert.

-  Um Schäden an Personen oder der Anlage zu vermeiden, müssen vor dem Anschluss des Geräts an das Stromnetz die gewählte Netzspannung und die Sicherungen kontrolliert werden. Weiterhin ist sicher zu stellen, dass das Kabel an eine Steckdose mit Schutzleiterkontakt angeschlossen wird.

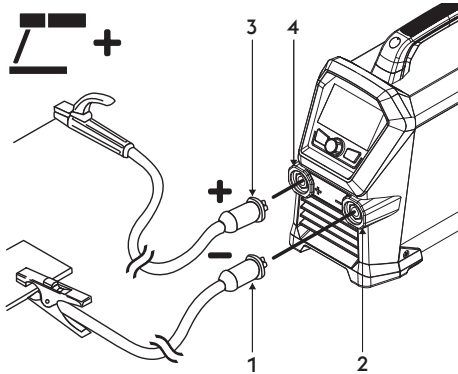
-  Die Anlage kann mit einem Generatorsatz gespeist werden. Voraussetzung ist, dass dieser unter allen möglichen Betriebsbedingungen und bei vom Generator abgegebener Höchstleistung eine stabile Versorgungsspannung gewährleistet, mit Abweichungen zum vom Hersteller erklärten Spannungswert von $\pm 15\%$. Gewöhnlich wird der Gebrauch von Generatorsätzen empfohlen, deren Leistung bei einphasigem Anschluss 2mal und bei dreiphasigem Anschluss 1,5mal so groß wie die Generatorleistung ist. Der Gebrauch elektronisch gesteuerter Generatorsätze wird empfohlen.

-  Zum Schutz der Benutzer muss die Anlage korrekt geerdet werden. Das Versorgungskabel ist mit einem grüngelben Schutzleiter versehen, der mit einem Stecker mit Schutzleiterkontakt verbunden werden muss. Dieser grün/gelber Leiter darf ausschließlich als Schutzleiter verwendet werden. Prüfen, ob die verwendete Anlage geerdet ist und ob die Steckdose/n in einem gutem Zustand sind. Nur zugelassene Stecker montieren, die den Sicherheitsvorschriften entsprechen.

-  Der elektrische Anschluss muss gemäß den am Installationsort geltenden Gesetzen von qualifizierten Technikern, die eine spezifische Ausbildung nachweisen können, ausgeführt werden.

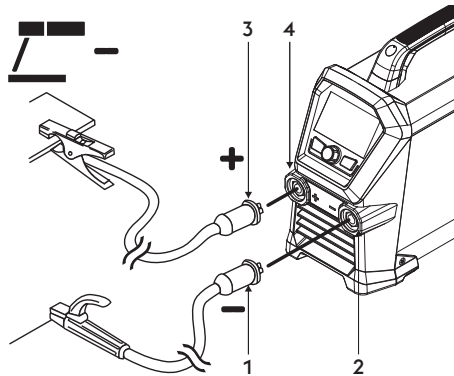
3.4 Inbetriebnahme

3.4.1 Anschluss für E-Hand-Schweißen



- 1 Verbinder der Erdungszange
- 2 Schweißstrom Anschluss (-)
- 3 Verbinder der Elektrodenhalter-Zange
- 4 Schweißstrom Anschluss (+)

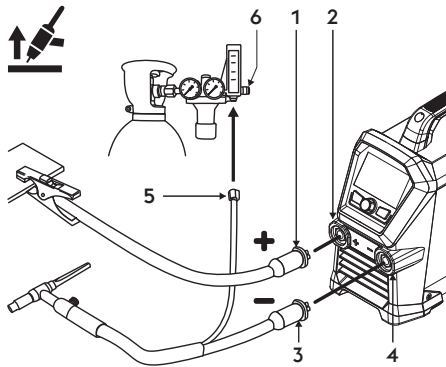
- ▶ Den Verbinder der Erdungszange an die Steckdose des Minuskabels (-) des Generators anschließen. Den Stecker einstecken und im Uhrzeigersinn drehen, bis alle Teile fest sind.
- ▶ Den Verbinder der Schweißzange an die Steckdose des Pluskabels (+) des Generators anschließen. Den Stecker einstecken und im Uhrzeigersinn drehen, bis alle Teile fest sind.



- 1 Verbinder der Elektrodenhalter-Zange
- 2 Schweißstrom Anschluss (-)
- 3 Verbinder der Erdungszange
- 4 Schweißstrom Anschluss (+)

- ▶ Schließen Sie den Kabelverbinder der Elektrodenhalter-Zange an die Minusbuchse (-) des Generators an. Den Stecker einstecken und im Uhrzeigersinn drehen, bis alle Teile fest sind.
- ▶ Den Verbinder der Erdungszange an die Steckdose des Pluskabels (+) des Generators anschließen. Den Stecker einstecken und im Uhrzeigersinn drehen, bis alle Teile fest sind.

3.4.2 Anschluss für WIG-Schweißen

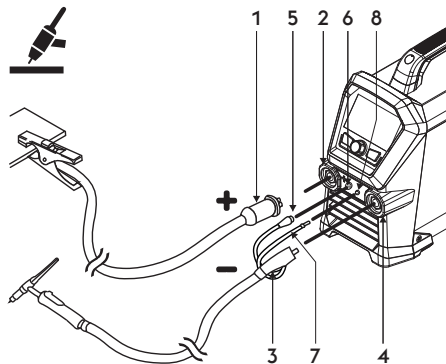


- 1 Verbinder der Erdungszange
- 2 Schweißstrom Anschluss (+)
- 3 WIG-Brenneranschluss
- 4 Schweißstrom Anschluss (-)
- 5 Gasleitungsanschluss
- 6 Druckreduzierer verschrauben

- ▶ Den Verbinder der Erdungszange an die Steckdose des Pluskabels (+) des Generators anschließen. Den Stecker einstecken und im Uhrzeigersinn drehen, bis alle Teile fest sind.
- ▶ Den Anschluß der WIG-Schweißbrenner in die Steckdose der Schweißbrenner des Generators stecken. Den Stecker einstecken und im Uhrzeigersinn drehen, bis alle Teile fest sind.

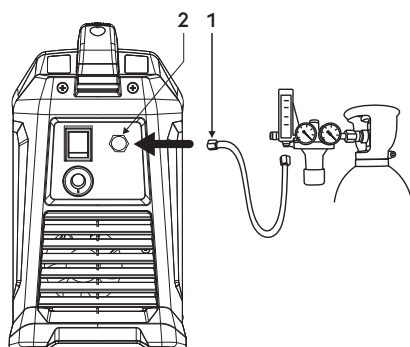
☞ Der Schutzgasstrom wird mittels eines Hahns reguliert, der sich im Allgemeinen am Schweißbrenner befindet.

- ▶ Den Verbinder des Brennergasschlauchs separat an die Gaszufuhr anschließen.



- 1 Verbinder der Erdungszange
- 2 Schweißstrom Anschluss (+)
- 3 WIG-Brenneranschluss
- 4 Steckdose brenner
- 5 Signalkabel Brenners
- 6 Verbinder
- 7 Brennergasrohr
- 8 Verbindung-union

- ▶ Den Verbinder der Erdungszange an die Steckdose des Pluskabels (+) des Generators anschließen. Den Stecker einstecken und im Uhrzeigersinn drehen, bis alle Teile fest sind.
- ▶ Den Verbinder der WIG-Schweißbrenner an die Steckdose des Minuskabels (-) des Generators anschließen. Den Stecker einstecken und im Uhrzeigersinn drehen, bis alle Teile fest sind.
- ▶ Verbinden Sie das Signalkabel des Brenners mit dem entsprechenden Anschluss.
- ▶ Verbinden Sie den Gasschlauch mit dem entsprechenden Anschluss.

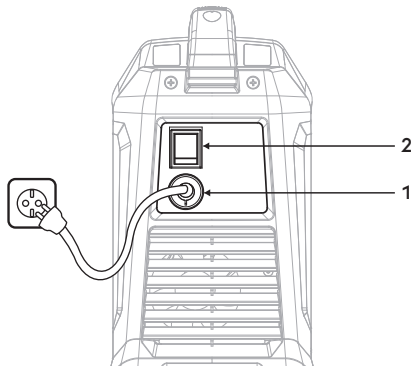


- 1 Brennergas
- 2 Gasanschluss anschließen

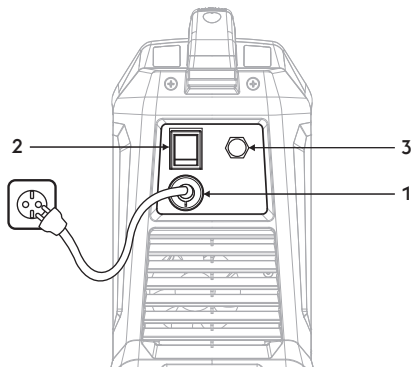
- ▶ Den Gasschlauch, der von der Gasflasche kommt, am hinteren Gasanschluss anschließen. Den Gasdurchfluss auf einen Wert zwischen 5 und 15 l/min einstellen.

4. PRÄSENTATION DER ANLAGE

4.1 Hintere Ansicht

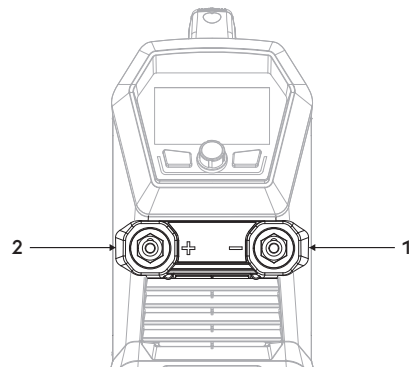


- 1 **Netzkabel Eingang**
Für den Netzanschluss und die Speisung der Anlage.
- 2 **Hauptschalter**
Schaltet die Anlage elektrisch ein.
Er verfügt über zwei Positionen: "O" AUS; "I" EIN.

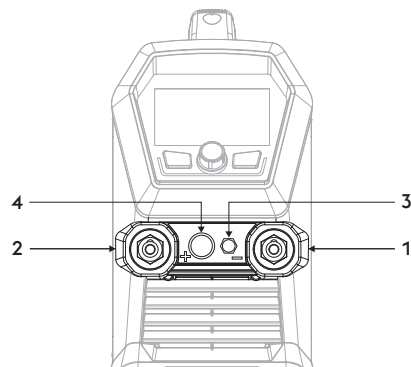


- 1 **Netzkabel Eingang**
Für den Netzanschluss und die Speisung der Anlage.
- 2 **Hauptschalter**
Schaltet die Anlage elektrisch ein.
Er verfügt über zwei Positionen: "O" AUS; "I" EIN.
- 3 **Gasanschluss**

4.2 Front Anschluss Ansicht



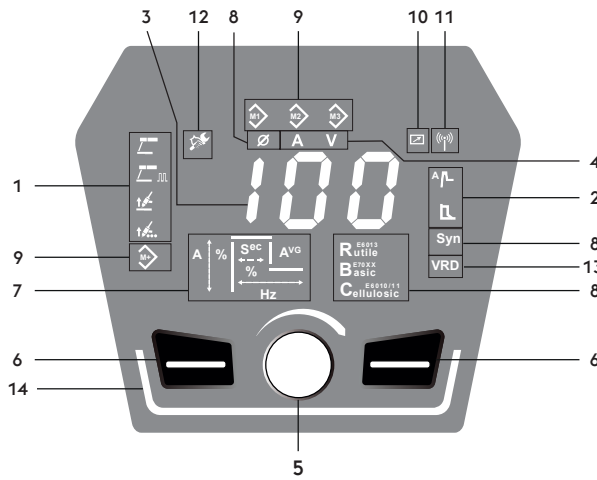
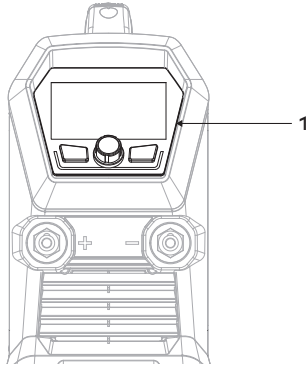
- 1 **Schweißstrom Anschluss (-)**
Prozess MMA: Erdung kabel verbindung
Prozess WIG: Brenneranschluss
- 2 **Schweißstrom Anschluss (+)**
Prozess MMA: Elektrodenbrenner verbindung
Prozess WIG: Erdung kabel verbindung



- 1 **Schweißstrom Anschluss (-)**
Prozess MMA: Erdung kabel verbindung
Prozess WIG: Brenneranschluss
- 2 **Schweißstrom Anschluss (+)**
Prozess MMA: Elektrodenbrenner verbindung
Prozess WIG: Erdung kabel verbindung
- 3 **Gasanschluss**
- 4 **Zusätzlicher Anschluss für Brenner**

4.3 Frontbedienfeld

1 Frontbedienfeld



1 Wahl des Schweißverfahrens

Ermöglicht die Wahl des Schweißverfahrens.

- E-Hand Schweißverfahren
- MMA-Puls-Schweißprozess
- WIG LIFT-Schweißverfahren
- WIG LIFT Punktschweißprozess

2 Funktionen

Ermöglicht die Auswahl der verschiedenen Funktionen der Anlage:

- Hotstart
- Arc force

3 **888** 7-Segment-Anzeige

Ermöglicht die Anzeige allgemeiner Geräteparameter während des Startens; Ablesen von Einstellungen, Strom und Spannung während des Schweißens und die Anzeige von Fehlercodes.

4 Messauswahl

Ermöglicht die Anzeige des tatsächlichen Schweißstroms oder der tatsächlichen Schweißspannung auf dem Display.

- A** Ampere
- V** Spannung

5 Hauptregler

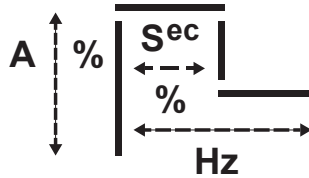
Ermöglicht das stufenlose Einstellen des Schweißstroms.

6  **Funktionstasten**

Ermöglicht die Auswahl der verschiedenen Funktionen der Anlage:

7 **Schweißparameter**

Das Schaubild auf dem Frontbedienfeld ermöglicht die Wahl und Einstellung der Schweißparameter.



8 **Syn** Synergie Materialtyp

Ermöglicht die Wahl des gewünschten Schweißmodus.

 Synergie Elektrodendurchmesser


R^{E6013}
utile

B^{E70XX}
asic

C^{E6010/11}
ellulosic

9  **Programm-Speicher**

Ermöglicht das Speichern und Verwalten von 3 Job, die vom Bediener personalisiert werden können.

10  **Externe Geräte (RC)**

11  **Externe Geräte (wireless)**

12  **Wartungswarnung**

13 **VRD** VRD (Voltage Reduction Device)

Vorrichtung für Spannungsverminderung

Ermöglicht die Reduzierung der Ausgangsspannung innerhalb der von den Vorschriften für den Einsatz in kritischen Umgebungen vorgesehenen Grenzen.

Aktive Funktion (Grün)

Standard: OFF (icon light off)

Wenden Sie sich an die Serviceabteilung, um Aktivierungsanweisungen anzufordern (eq-service@voestalpine.com).

14 **LED-Leisten**



Anlage im Standby-Modus eingeschaltet (Weiß)

Anlage eingeschaltet und Lichtbogen gezündet (Grün)

Anlage im Zustand Fehleralarm (Rot)

Anlage im Zustand Warnalarm (Orange) (=25% verbleibende Einschaltdauer)

Anlage in drahtloser Konfiguration (Blau)

5. VERWENDUNG VON GERÄTEN

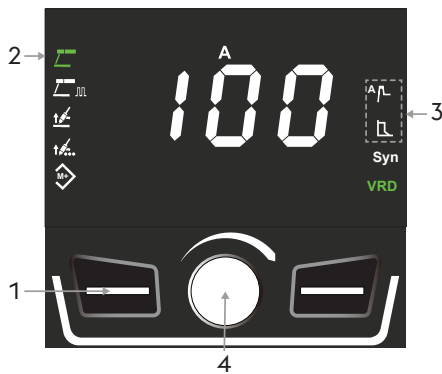
5.1 Haupt-Menü



Haupt-Menü

1. Symbol des Schweißverfahrens
 - Ausgewählter Prozess (Grün).
 - Verfügbarer Prozess (Weiß).
 2. Funktionssymbol
 - Funktion aktiviert (Weiß).
 - Auswahl und Einstellung des gewünschten Parameters (Grün.)
 3. Wahl des Schweißverfahrens.
 4. Zur Einstellung der Schweißparameter. (drücken Sie, um zu scrollen und die anzupassenden Parameter auszuwählen).
- Ermöglicht die Einstellung des Schweißstroms. (Drehen Sie, um den Wert zu ändern).

5.2 Haupt Anzeige des E-Handschweißprozesses (MMA)



Wahl des Schweißprozesses

1. Den gewünschten Schweißprozess mit der Taste wählen.
 2. Ausgewählter Prozess (Grün).
 3. Funktionssymbol
 - Funktion aktiviert (Weiß).
 - Auswahl und Einstellung des gewünschten Parameters (Grün.)
 4. Zur Einstellung der Schweißparameter. (drücken Sie, um zu scrollen und die anzupassenden Parameter auszuwählen).
- Ermöglicht die Einstellung des Schweißstroms. (Drehen Sie, um den Wert zu ändern).

Schweißstrom

Minimum	Maximal	Standard
20 A	Imax	100 A

Parametereinstellung: Hot start

1. Wählen Sie den gewünschten Parameter aus, indem Sie den Taster Encoder drücken.
2. Ausgewählte Funktion zur Parametereinstellung (Grün).
3. Stellen Sie den Wert des gewählten Parameters ein, indem Sie den Encoder drehen.

Schweißparameter

4. Startstrom.
5. Startzeit.

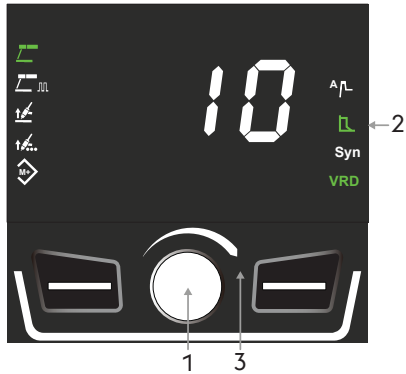
Startstrom

Minimum	Maximal	Standard
50%	200%	120%

Startzeit

Minimum	Maximal	Standard
0s	3s	0.5s





Parametereinstellung: Arc force

1. Wählen Sie den gewünschten Parameter aus, indem Sie den Taster Encoder drücken.
2. Ausgewählte Funktion zur Parametereinstellung (Grün).
3. Stellen Sie den Wert des gewählten Parameters ein, indem Sie den Encoder drehen.

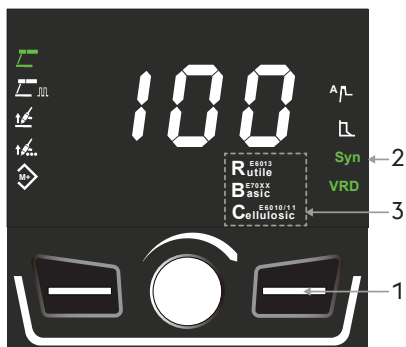
Schweißparameter

Arc force

Minimum	Maximal	Standard
-10	+10	0

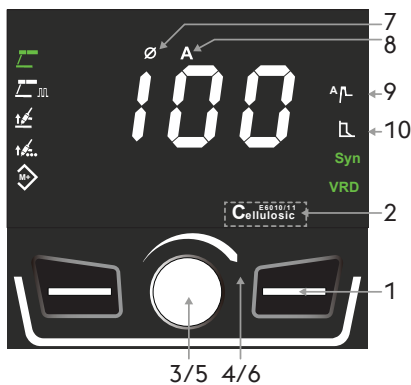
5.3 Auswahl der Synergieparameter

Funktion nur mit MMA-Prozess verfügbar.



Aktivierung Synergie

1. Drücken und halten Sie die Taste 3 Sekunden lang gedrückt, um die Synergiefunktionen zu aktivieren.
2. Funktion aktiviert (Grün).
3. Synergie (Weiß).



Parametereinstellung

1. Wählen Sie die gewünschte Elektrode durch Drücken der Taste
 - Ø: Auswahl des aktiven Durchmessers.
 - Wählen Sie den gewünschten Durchmesser durch Drehen des Encoders.
 - Nach 3 Sekunden ist die Schweißstromeinstellung wieder verfügbar.
2. Wählen Sie das gewünschte Programm aus, indem Sie die Taste drücken..
3. Synergie
4. Wählen Sie den Parameter Elektrodendurchmesser durch Drücken der Encodertaste.
5. Wählen Sie einen Wert für den Elektrodendurchmesser durch Drehen des Encoders.
 - Hiermit wird automatisch eine Vorwahl von Schweißparameterwerten geladen.

Die Schweißparameter können weiter eingestellt werden:

6. Aktivieren Sie die gewünschte Parametereinstellung durch Drücken der Encodertaste.
7. Stellen Sie den Wert des gewählten Parameters ein, indem Sie den Encoder drehen.

Schweißparameter

8. Synergie Elektrodendurchmesser.
9. Schweißstrom.
10. Hot start.
11. Arc force.

DE

Rutilelektrode

Durchmesser	Schweißstrom	Hotstart	Arc force
2.0	40A	100% 0s	-5
2.5	60A	100% 0s	-5
3.2	100A	100% 0s	-5
4.0	135A	100% 0s	-5

Tabelle der Standardwerte

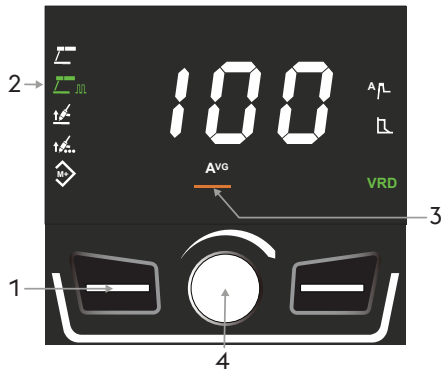
Basisch elektroden

Durchmesser	Schweißstrom	Hotstart	Arc force
2.0	65A	120% 0,5s	3
2.5	90A	120% 0,5s	3
3.2	130A	120% 0,5s	3
4.0	160A	120% 0,5s	3

Zellulose elektroden

Durchmesser	Schweißstrom	Hotstart	Arc force
2.0	55A	120% 0,5s	7
2.5	75A	120% 0,5s	7
3.2	110A	120% 0,5s	7
4.0	130A	120% 0,5s	7

5.4 Hauptbildschirmseite des MMA-Puls-Schweißprozesses



Wahl des Schweißprozesses

1. Den gewünschten Schweißprozess mit der Taste wählen.
2. Ausgewählter Prozess (Grün).
3. Schweißstrom (Mittelwert).
4. Ermöglicht die Einstellung des Schweißstroms. Schweißstrom

Minimum	Maximal	Standard
20 A	I _{max}	100 A

Parametereinstellung

1. Aktivieren Sie die Einstellung des gewählten Parameters, indem Sie den Taster Encoder drücken.
2. Stellen Sie den Wert des gewählten Parameters ein, indem Sie den Encoder drehen.

Schweißparameter

3. Impulsstrom.
4. Duty cycle.
5. Impulszeit.
6. Hot start.
7. Arc force.

Impulsstrom

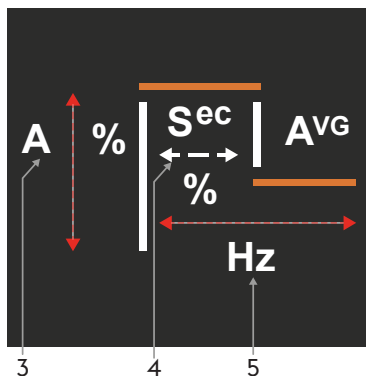
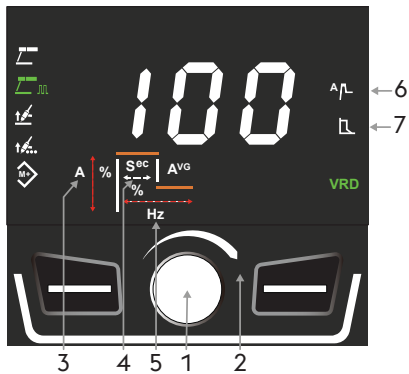
Minimum	Maximal	Standard
100%	260%	140%

Duty cycle

Minimum	Maximal	Standard
10%	90%	50%

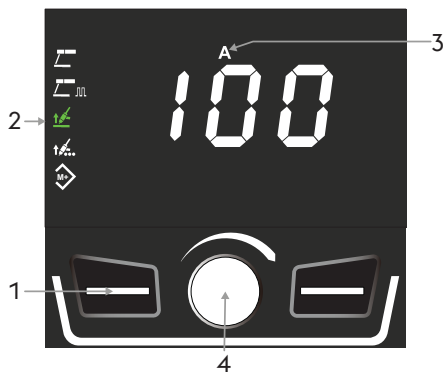
Impulszeit

Minimum	Maximal	Standard
0.2Hz	5Hz	0.2Hz



DE

5.5 Hauptbildschirmseite des WIG-Lift-Prozesses



Wahl des Schweißprozesses

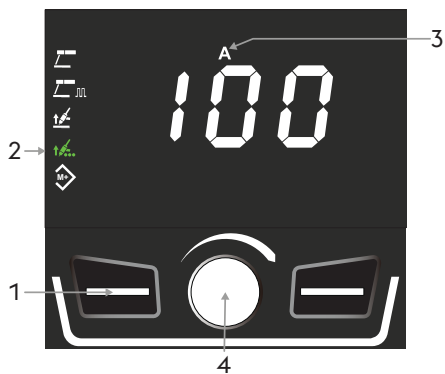
1. Den gewünschten Schweißprozess mit der Taste wählen.
2. Ausgewählter Prozess (Grün).
3. Schweißstrom.
4. Ermöglicht die Einstellung des Schweißstroms.

Schweißstrom

Minimum	Maximal	Standard
10 A	Imax	100 A

Für die Parametereinstellung siehe Kapitel Setup.

5.6 Hauptbildschirmseite des WIG LIFT Punktschweißprozesses

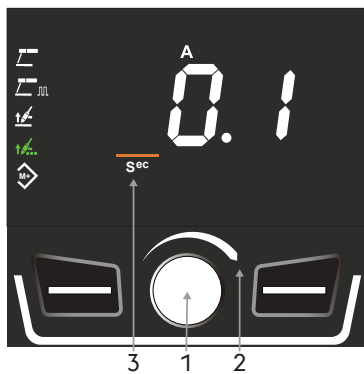


Wahl des Schweißprozesses

1. Den gewünschten Schweißprozess mit der Taste wählen.
2. Ausgewählter Prozess (Grün).
3. Schweißstrom.
4. Ermöglicht die Einstellung des Schweißstroms.

Schweißstrom

Minimum	Maximal	Standard
10 A	Imax	100 A



Parametereinstellung

1. Aktivieren Sie die Einstellung des gewählten Parameters, indem Sie den Taster Encoder drücken.
2. Stellen Sie den Wert des gewählten Parameters ein, indem Sie den Encoder drehen.

Schweißparameter

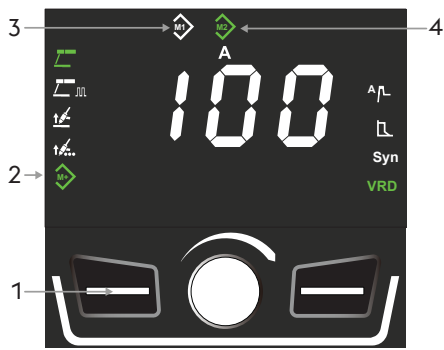
3. Schweißzeit.

Schweißzeit

Minimum	Maximal	Standard
0s	60s	0,5s

Für die Parametereinstellung siehe Kapitel Setup.

5.7 Programm-Menü (JOB POINT)



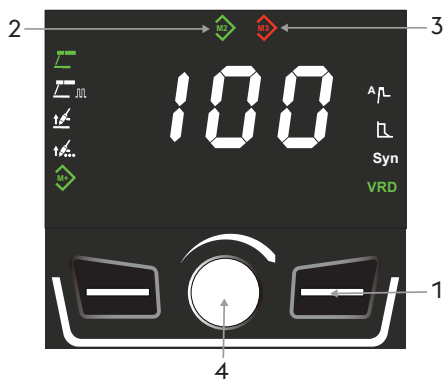
Haupt-Menü

1. Drücken und halten Sie die Taste 3 Sekunden lang gedrückt.
2. Funktion aktiviert (Grün).
3. Speicher leer (Weiß).
4. Programm gespeichert (Grün).



Programm-Speicher

1. Wählen Sie den gewünschten Speicherplatz durch Drücken der Taste.
2. Speicher leer (Weiß).
3. Drücken Sie die Encodertaste zum Speichern der Schweißparameter (3 Sekunden). Die Farbe des Speicherplatzsymbols ändert sich von weiß auf grün.



Programmabruf

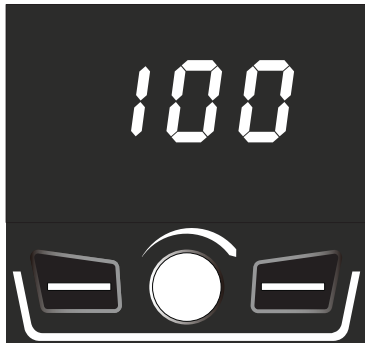
1. Wählen Sie das gewünschte Programm aus, indem Sie die Taste drücken..
2. Programm gespeichert (Grün).
3. Das Ändern der Schweißparameter oder des Schweißprozesses wird durch einen Farbwechsel des Speicherplatzsymbols auf Rot angezeigt.
4. Drücken Sie die Encodertaste solange, bis das Symbol im Feld wieder grün leuchtet, um die ursprünglich gespeicherten Parameter wiederherzustellen (3 Sekunden).



Programm löschen

1. Wählen Sie das gewünschte Programm aus, indem Sie die Taste drücken..
2. Programm gespeichert (Grün).
3. Löschen Sie den Auftrag, indem Sie die Encodertaste solange drücken, bis das Symbol im Feld weiß wird (3 Sekunden.)

5.8 LED-Leiste



LED-Leiste mit weißem Licht

- ▶ Weist auf das Anliegen von Spannung an den Ausgangsbuchsen der Anlage hin.
- ▶ Anlage schweißbereit.



LED-Leiste mit grünem Licht

- ▶ Anlage eingeschaltet und Lichtbogen gezündet.



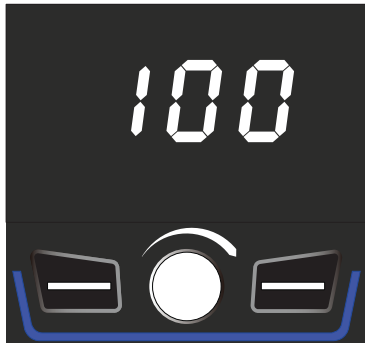
LED-Leiste mit rotem Licht

- ▶ Zeigt den möglichen Eingriff von Schutzeinrichtungen an, z. B. Temperaturschutz..



LED-Leiste mit orangefarbenem Licht

- ▶ Weist darauf hin, dass die Schweißanlage 75 % ihres Arbeitszyklus erreicht hat.
- ☞ Es empfiehlt sich eine vorübergehende Unterbrechung des Schweißprozesses, um einen thermischen Alarm der Anlage zu vermeiden.



LED-Leiste mit blauem Licht

- ▶ Weist darauf hin, dass die Anlage mit einem drahtlosen Gerät verbunden ist.

5.9 Adaptive Wartung



Adaptive Wartung

- ▶ Weist darauf hin, dass die Anlage bereits eine angemessene Stundenanzahl mit gezündetem Lichtbogen gearbeitet hat.

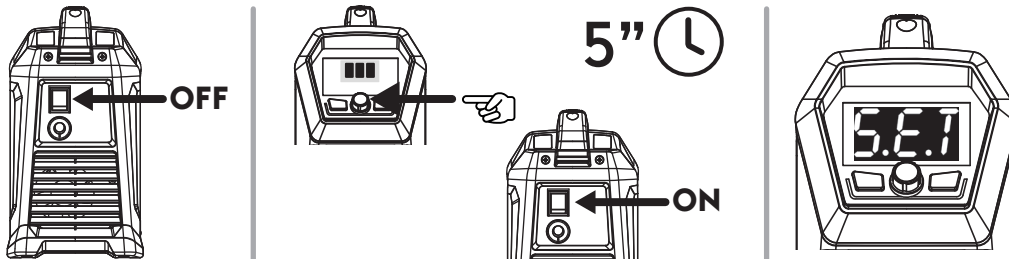
☞ Es empfiehlt sich, die ordentliche Wartung vorzunehmen.

Siehe Abschnitt "Setup" im Handbuch Ihres Generators.

6. SETUP

Ermöglicht die Einstellung und Regelung einer Reihe Zusatzparameter, um die Schweißanlage besser und präziser betreiben zu können.

Zugriff auf Setup



- ▶ Schalten Sie den Generator durch Stellen des Schalters auf „0“ aus.
- ▶ Schalten Sie den Generator ein, indem Sie die Encodertaste gedrückt halten.
- ▶ Halten Sie die Encodertaste 5 Sekunden lang gedrückt.
- ▶ Der Zugriff wird durch den Eintrag SET am Display bestätigt.

Auswahl und Einstellung des gewünschten Parameters

- ▶ Erfolgt durch Drehen des Encoders bis zur Anzeige des Nummerncodes des gewünschten Parameters.
- ▶ Durch Drücken der Taste Encoder wird nun der für den gewählten Parameter eingestellte Wert sichtbar und kann reguliert werden.

Verlassen des Setup

- ▶ Drücken Sie die Encodertaste 5 Sekunden lang, um das Setup zu beenden.

6.9.1 Liste der Setup-Parameter (WIG-Schweißen)

Pog Gasnachströmen

Für die Einstellung des Gasflusses bei Schweißende.

Minimum	Maximal	Standard
0 s	20.0 s	6.0 s

A1 Startstrom (%-A)

Ermöglicht die Einstellung des Start-Schweißstroms.

Ermöglicht das Erhalten eines heißeren oder kühleren Schmelzbades unmittelbar nach der Bogenzündung.

Minimum	Maximal	Standard
10 %	200 %	25 %

t1 Startstrom-Zeit

Ermöglicht das Einstellen der Zeit, zu welcher der Initialstrom erreicht werden soll.

Minimum	Maximal	Standard
0 s	10 s	0.2 s

t uP Anstiegsrampe

Für die Eingabe eines stufenweisen Übergangs vom Startstrom auf Schweißstrom.

Minimum	Maximal	Standard
0 s	10.0 s	0.5 s

t dn Abstiegsrampe

Für die Eingabe eines stufenweisen Übergangs vom Schweißstrom auf Endkraterstrom.

Minimum	Maximal	Standard
0s	3s	0.5s

A2 Endkraterstrom (%-A)

Für die Einstellung des Endkraterstroms.

Minimum	Maximal	Standard
10 %	200 %	25 %

t 2 Endkraterstrom-Zeit

Ermöglicht das Einstellen der Zeit, für die der Endstrom aufrechterhalten werden soll.


Minimum	Maximal	Standard
0 s	10.0 s	0.2 s

SPo Punktschweißen

Für die Aktivierung des Punktschweißens und die Festlegung der Schweißzeit.

Ermöglicht das Takten des Schweißvorgangs.

AcT immer aktiv

 Betriebsbeschreibung mit Gas-Magnetventil.

Wenn Sie ein Modell mit externem Gashahn verwenden, muss das Gasventil manuell geöffnet werden.

- ▶ Berühren Sie das Werkstück mit der Elektrode, um die Vorgasphase zu starten.
- ▶ Zünden des Lichtbogens im Lift-Modus. Das Anheben des Brenners vom Werkstück löst das Zünden des Lichtbogens aus.
- ▶ Der Lichtbogen bleibt für die eingestellte Zeit aktiv.

2T 2-Taktbetrieb, in zwei Stufen

 Betriebsbeschreibung mit Gas-Magnetventil.

Wenn Sie ein Modell mit externem Gashahn verwenden, muss das Gasventil manuell geöffnet werden.

- ▶ Berühren Sie das Schweißwerkstück mit der Elektrode.
- ▶ Bei Drücken der Brennertaste ergibt sich die Funktion Vorgas.
- ▶ Zünden des Lichtbogens im Lift-Modus. Das Anheben des Brenners vom Werkstück löst das Zünden des Lichtbogens aus.
- ▶ Der Lichtbogen bleibt für die eingestellte Zeit aktiv.

Minimum	Maximal	Standard
0.1 s	60.0 s	0.5 s

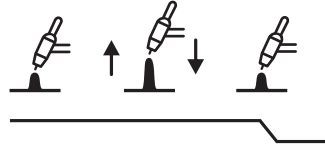
trt Trigger Tig

AcT immer aktiv


 Betriebsbeschreibung mit Gas-Magnetventil.

Wenn Sie ein Modell mit externem Gashahn verwenden, muss das Gasventil manuell geöffnet werden.

- ▶ Berühren Sie das Werkstück mit der Elektrode, um die Vorgasphase zu starten.
- ▶ Zünden des Lichtbogens im Lift-Modus. Das Anheben des Brenners vom Werkstück löst das Zünden des Lichtbogens aus.
- ▶ Durch Schwenken des Brenners wird der Lichtbogen gelöscht, während das Gas für die Nachgaszeit weiterströmt.




2T 2-Taktbetrieb, in zwei Stufen

 Betriebsbeschreibung mit Gas-Magnetventil.

Wenn Sie ein Modell mit externem Gashahn verwenden, muss das Gasventil manuell geöffnet werden.

- ▶ Berühren Sie das Schweißwerkstück mit der Elektrode.
- ▶ Bei Drücken der Brennertaste ergibt sich die Funktion Vorgas.
- ▶ Zünden des Lichtbogens im Lift-Modus. Das Anheben des Brenners vom Werkstück löst das Zünden des Lichtbogens aus.
- ▶ Beim Loslassen des Knopfs schaltet sich der Bogen aus und das Gas fließt für Gasnachströmzeit weiter.

4T 4-Taktbetrieb, in vier Stufen

 Betriebsbeschreibung mit Gas-Magnetventil.

Wenn Sie ein Modell mit externem Gashahn verwenden, muss das Gasventil manuell geöffnet werden.

- ▶ Berühren Sie das Schweißwerkstück mit der Elektrode.
- ▶ Drücken Sie die Brennertaste, um die Vorgasphase zu starten.
- ▶ Zünden des Lichtbogens im Lift-Modus. Das Anheben des Brenners vom Werkstück löst das Zünden des Lichtbogens mit voreingestellter Dynamik aus. Bei Loslassen der Brennertaste bleibt der Lichtbogen aktiv.
- ▶ Das Loslassen der Taste vor Abschluss der Dynamik führt zum sofortigen Löschen des Lichtbogens.
- ▶ Der zweite Tastendruck bewirkt das Löschen des Lichtbogens mit der Lichtbogenlöschdynamik, während das Gas für die Nachgaszeit weiterströmt.
- ▶ Das Loslassen der Taste vor Ende der Löschsequenzen führt zum sofortigen Löschen des Lichtbogens.

6.9.2 Liste der Setup-Parameter (Konfiguration der Einheit)

di5 Art der Messung

Ermöglicht die Einstellung am Display der Ablesung von Schweißstrom oder -spannung.

Hod Hold Last Parameter

Sofern aktiviert, werden die Werte der letzten Schweißparameter nach dem Löschen des Lichtbogens fünf Sekunden lang am Display angezeigt.

Fn Menü Anlagenkonfiguration

Ermöglicht den Zugriff auf das Systemkonfigurationsmenü.

- ▶ Drücken Sie die Encodertaste, um das Untermenü aufzurufen.
- ▶ Drehen Sie den Encoder, um die gewünschte Konfiguration zu wählen.
- ▶ Drücken Sie die Encodertaste zur Bestätigung.
- ▶ Nachstehend finden sich die verfügbaren Konfigurationen.

- F1 Systemkonfiguration**
Systemkonfiguration: F1
- E-Hand Schweißverfahren
 - WIG LIFT-Schweißverfahren
 - Funktion aktiviert: Hot start
 - Funktion aktiviert: Arc force
- F2 Systemkonfiguration**
Systemkonfiguration: F2
- E-Hand Schweißverfahren
 - WIG LIFT-Schweißverfahren
 - WIG LIFT Punktschweißprozess
 - Funktion aktiviert: Hot start
 - Funktion aktiviert: Arc force
- F3 Systemkonfiguration**
Systemkonfiguration: F3
- E-Hand Schweißverfahren
 - WIG LIFT-Schweißverfahren
 - WIG LIFT Punktschweißprozess
 - Funktion aktiviert: Hot start
 - Funktion aktiviert: Arc force
 - Funktion aktiviert: Synergie
- F4 Systemkonfiguration**
Systemkonfiguration: F4
- E-Hand Schweißverfahren
 - MMA-Puls-Schweißprozess
 - WIG LIFT-Schweißverfahren
 - WIG LIFT Punktschweißprozess
 - Funktion aktiviert: Hot start
 - Funktion aktiviert: Arc force
 - Funktion aktiviert: Synergie
- F5 Systemkonfiguration**
Systemkonfiguration: F5
- E-Hand Schweißverfahren
 - MMA-Puls-Schweißprozess
 - WIG LIFT-Schweißverfahren
 - WIG LIFT Punktschweißprozess
 - Funktion aktiviert: Hot start
 - Funktion aktiviert: Arc force
 - Funktion aktiviert: Programme (JOB POINT)
 - Funktion aktiviert: Synergie

SLP Sleep

Sofern aktiviert, schaltet das Gerät nach der gewählten Nichtbenutzungszeit in Sekunden in den Aus-Modus.

Legen Sie einen Zeitwert innerhalb des Bereichs fest

Wert	Nichtbenutzungszeit
OFF	Nicht aktiv
180	180s
300	300s
600	600s
900	900s

Se1 Adaptive Wartung

Sofern aktiviert, zeigt das Aufleuchten des Wartungssymbols am Display an, dass die Wartung empfohlen ist.

Siehe Abschnitt "Setup" im Handbuch Ihres Generators.

Wert	Funktion
OFF	Nicht aktiv
ON	Aktiv
RST	Reset

r5t Reset

Für die Rücksetzung aller Parameter auf die Standardwerte.

- ▶ Drücken Sie die Encodertaste, um den Vorgang zu starten.
- ▶ Drehen Sie den Encoder bis auf folgenden Wert: ON
- ▶ Drücken Sie die rechte Funktionstaste 5 Sekunden lang.

7. WARTUNG



Die regelmäßige Wartung der Anlage muss nach den Angaben des Herstellers erfolgen. Wenn das Gerät in Betrieb ist, müssen alle Zugangs-, Wartungstüren und Abdeckungen geschlossen und verriegelt sein. Die Anlage darf keiner Änderung unterzogen werden. Vermeiden Sie Ansammlungen von Metallstaub in der Nähe und über den Lüftungsschlitzen.



Jeder Wartungseingriff darf nur von Fachpersonal ausgeführt werden. Das Reparieren oder Austauschen von Anlageteilen durch unautorisiertes Personal hebt die Produktgarantie auf. Das Reparieren oder Austauschen von Anlageteilen darf ausschließlich von Fachpersonal ausgeführt werden.



Trennen Sie die Anlage von der Stromzufuhr vor jedem Wartungseingriff!

7.1 Führen Sie folgende regelmäßige Überprüfungen am Generator durch

7.1.1 Anlage



Das Innere der Anlage mittels Druckluft mit niederem Druck und weichen Pinseln reinigen. Elektrische Verbindungen und Anschlusskabel prüfen.

7.1.2 Für die Instandhaltung oder das Austauschen von Schweißbrennersbestandteilen, der Schweißzange und/oder der Erdungskabel:



Die Temperatur der Teile kontrollieren und sicherstellen, dass sie nicht mehr heiß sind.



Immer Schutzhandschuhe anziehen, die den Sicherheitsstandards entsprechen.



Geeignete Schlüssel und Werkzeuge verwenden.

7.2 Verantwortung



Durch Unterlassung der oben genannten Wartung wird jegliche Garantie aufgehoben und der Hersteller wird von jeglicher Haftung befreit. Der Hersteller übernimmt keinerlei Haftung, falls sich der Benutzer nicht an diese Vorschriften hält. Wenden Sie sich bei jedem Zweifel und/oder bei jedem Problem an die nächstgelegene Technische Kundendienststelle.

8. ALARMCODES



ALARM






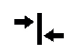



Die Auslösung eines Alarms bzw. das Überschreiten einer kritischen Warnschwelle hat eine entsprechende Anzeige am Bedienfeld sowie den sofortigen Abbruch der Schweißvorgänge zur Folge.



ACHTUNG

Das Überschreiten einer Schutzgrenze verursacht ein visuelles Signal auf dem Bedienfeld, ermöglicht jedoch die Fortsetzung der Schweißvorgänge.

Nachstehend sind alle Alarmer und Warnschwellen der Anlage aufgelistet.

 E01	Übertemperatur		 E05	Überstrom	
 E13	Kommunikationsfehler		 E36	Brennertaste beim Einschalten der Anlage gedrückt	
 E50	Draht festgeklebt (Automatisierungs- und Robotertechnik)				

9. FEHLERSUCHE

Anlage schaltet sich nicht ein

Ursache	Lösung
» Keine Netzspannung an Versorgungssteckdose.	» Elektrische Anlage überprüfen und ggf. reparieren. » Nur Fachpersonal dazu einsetzen.
» Stecker oder Versorgungskabel defekt.	» Schadhafte Teil ersetzen. » Anlage von der nächstgelegenen Kundendienststelle reparieren lassen.
» Netzsicherung durchgebrannt.	» Schadhafte Teil ersetzen.
» Hauptschalter defekt.	» Schadhafte Teil ersetzen. » Anlage von der nächstgelegenen Kundendienststelle reparieren lassen.
» Elektronik defekt.	» Anlage von der nächstgelegenen Kundendienststelle reparieren lassen.

Keine Ausgangsleistung (Anlage schweißt nicht)

Ursache	Lösung
» Brenntaste defekt.	» Schadhafte Teil ersetzen. » Anlage von der nächstgelegenen Kundendienststelle reparieren lassen.
» Überhitzte Anlage (thermischer Alarm - rote LED-Leiste).	» Warten, bis die Anlage abgekühlt ist, die Anlage aber nicht ausschalten.
» Masseverbindung unkorrekt.	» Korrekte Masseverbindung ausführen. » Siehe Kapitel "Inbetriebnahme".
» Elektronik defekt. (Anlage im Standby-Modus - weiße LED-Leiste)	» Anlage von der nächstgelegenen Kundendienststelle reparieren lassen.

Falsche Ausgangsleistung

Ursache	Lösung
» Falsche Auswahl des Schweißverfahrens oder Wahlschalter defekt.	» Korrekte Auswahl des Schweißverfahrens treffen.
» Falsche Einstellungen der Parameter und der Funktionen der Anlage.	» Ein Reset der Anlage ausführen und die Schweißparameter neu einstellen.
» Potentiometer/Encoder zur Regulierung des Schweißstroms defekt.	» Schadhafte Teil ersetzen. » Anlage von der nächstgelegenen Kundendienststelle reparieren lassen.
» Netzspannung außerhalb des Bereiches der zulässigen Betriebsspannung.	» Korrekten Anschluss der Anlage ausführen. » Siehe Kapitel "Anschluss".
» Elektronik defekt.	» Anlage von der nächstgelegenen Kundendienststelle reparieren lassen.

10. BETRIEBSANWEISUNGEN

10.1 Schweißen mit Mantelelektroden (E-Hand-Schweißen)

Vorbereitung der Schweißkanten

Um gute Schweißergebnisse zu erhalten, ist es in jedem Fall ratsam, an sauberen Teilen zu arbeiten, die frei von Oxidation, Rost oder anderen Schmutzpartikeln sind.

Wahl der Elektrode

Der Durchmesser der Schweißelektrode hängt von der Werkstoffdicke, der Position, dem Nahttyp und von der Vorbereitung des Werkstücks ab. Elektroden mit großem Durchmesser erfordern eine hohe Stromzufuhr woraus eine hohe Wärmezufuhr beim Schweißvorgang resultiert.

Durchmesser erfordern eine hohe Stromzufuhr woraus eine hohe Wärmezufuhr beim Schweißvorgang resultiert.

Art der Ummantelung	Eigenschaften	Verwendung
Rutil	Einfachheit in der alle Positionen	Verwendung
Sauer hohe	Schmelzgeschwindigkeit	ebenflächig
Basisch	gute mechanische Eigenschaften	Verwendung
Cellulose	Tieferer Einbrand	Verwendung

Wahl des Schweißstromes

Der dem Typ der verwendeten Elektrode entsprechende Schweißstrom-Bereich wird von den Elektrodenherstellern auf der Verpackung der Elektroden angegeben.

Zündung und Aufrechterhaltung des Lichtbogens

Der elektrische Lichtbogen wird durch Reibung der Elektrodenspitze am geerdeten Schweißstück und durch rasches Zurückziehen des Stabes bis zum normalen Schweißabstand nach erfolgter Zündung des Lichtbogens hergestellt. In letzterem Fall wird die Befreiung durch einen seitlichen Ruck herbeigeführt.

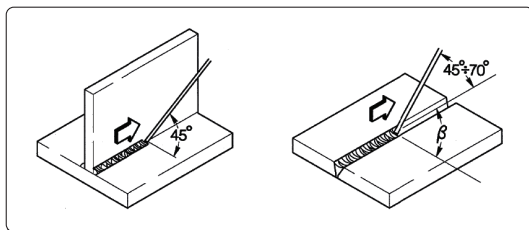
Um die Bogenzündung zu verbessern, ist es im Allgemeinen von Vorteil, den Strom anfänglich gegenüber dem Grundsweißstrom zu erhöhen (Hot-Start).

Nach Herstellung des Lichtbogens beginnt die Schmelzung des Mittelstückes der Elektrode, die sich tropfenförmig auf dem Schweißstück ablagert.

Der äußere Mantel der Elektrode wird aufgebraucht und liefert damit das Schutzgas für die Schweißung, die somit eine gute Qualität erreicht.

Um zu vermeiden, dass die Tropfen des geschmolzenen Materials, infolge unbeabsichtigten Annäherns der Elektrode an das Schweißbad, einen Kurzschluss hervorrufen und dadurch das Erlöschen des Lichtbogens verursachen, ist es nützlich, den Schweißstrom kurzzeitig, bis zur Beendigung des Kurzschlusses, zu erhöhen.

Falls die Elektrode am Werkstück kleben bleibt, ist es nützlich, den Kurzschlussstrom auf das Geringste zu reduzieren (Antisticking).



Ausführung der Schweißung

Der Neigewinkel der Elektrode ist je nach der Anzahl der Durchgänge verschieden. Die Bewegung der Elektrode wird normalerweise mit Pendeln und Anhalten an den Seiten der Schweißnaht durchgeführt, wodurch eine übermäßige Ansammlung von Schweißgut in der Mitte vermieden werden soll.

Entfernung der Schlacke

Das Schweißen mit Mantelelektroden erfordert nach jedem Durchgang die Entfernung der Schlacke.

Die Entfernung der Schlacke erfolgt mittels eines kleinen Hammers oder bei leicht bröckelnder Schlacke durch Bürsten.

10.2 WIG-Schweißen (kontinuierlicher Lichtbogen)

Beschreibung

Das Prinzip des WIG-Schweißens (Wolfram-Inert-Gas-Schweißen) basiert auf einem elektrischen Lichtbogen, der zwischen einer nichtschmelzenden Elektrode (reines oder legiertes Wolfram mit einer Schmelztemperatur von ungefähr 3370°C) und dem Werkstück gezündet wird. Eine Inertgas-Atmosphäre (Argon) schützt das Schweißbad.

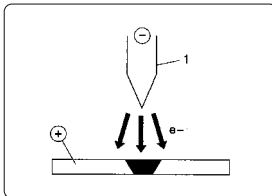
Um gefährliche Wolframeinschlüsse in der Schweißnaht zu vermeiden, darf die Elektrode nicht mit dem zu schweißenden Stück in Berührung kommen. Aus diesem Grund wird mittels eines HF-Generators eine Entladung erzeugt, die die Zündung des elektrischen Lichtbogens ermöglicht, ohne dass die Elektrode das Werkstück berührt.

Es gibt auch eine weitere Startmöglichkeit mit herabgesetzten Wolframeinschlüssen: der Lift-Start, der keine hohe Frequenz vorsieht, sondern nur eine anfängliche Kurzschlussphase bei Niederstrom zwischen Elektrode und Werkstück. Im Augenblick der Anhebung der Elektrode entsteht der Lichtbogen und die Stromzufuhr erhöht sich bis zur Erreichung des eingestellten Schweißwertes.

Um die Qualität des Schweißnahtendes zu verbessern, ist es äußerst vorteilhaft, das Absinken des Schweißstroms genau kontrollieren zu können und es ist notwendig, dass das Gas auch nach dem Ausgehen des Bogens für einige Sekunden in das Schweißbad strömt.

Unter vielen Arbeitsbedingungen ist es von Vorteil, über 2 voreingestellte Schweißströme zu verfügen, mit der Möglichkeit, von einem auf den anderen übergehen zu können (BILEVEL).

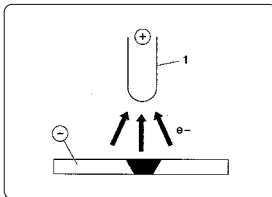
Schweißpolung



D.C.S.P. (Direct Current Straight Polarity)

Es handelt sich hierbei um die am meisten gebrauchte Polung (direkte Polung); sie bewirkt eine begrenzte Abnutzung der Elektrode (1), da sich 70% der Wärme auf der Anode (Werkstück) ansammelt.

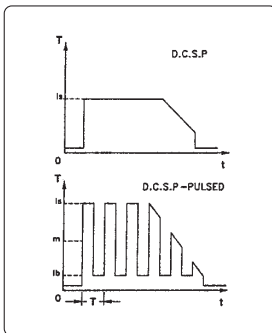
Man erhält ein tiefes und schmales Bad durch hohe Vorschubgeschwindigkeit und daraus resultierender geringer Wärmezufuhr.



D.C.R.P. (Direct Current Reverse Polarity)

Mit der umgekehrten Polung kann man Legierungen mit einer hitzebeständigen Oxid-Beschichtung, deren wesentliche Eigenschaft eine höhere Schmelztemperatur als jene des Metalls ist, schweißen.

Trotzdem dürfen nicht zu hohe Ströme verwendet werden, da diese eine rasche Abnutzung der Elektrode verursachen würden.



D.C.S.P.-Pulsed (Direct Current Straight Polarity Pulsed)

Die Anwendung eines Pulsstroms erlaubt in besonderen Betriebssituationen eine bessere Kontrolle des Schweißbads in Breite und Tiefe.

Das Schweißbad wird von den Spitzenimpulsen (I_p) gebildet, während der Basisstrom (I_b) den Bogen gezündet hält. Das erleichtert das Schweißen dünner Materialstärken mit geringeren Verformungen, einen besseren Formfaktor und somit eine geringere Gefahr, dass Wärmerisse und gasförmige Einschlüsse auftreten.

Durch Steigern der Frequenz (Mittelfrequenz) erzielt man einen schmaleren, konzentrierteren und stabileren Bogen, was einer weiteren Verbesserung der Schweißqualität bei dünnen Materialstärken gleichkommt.

Merkmale der WIG-Schweißungen

Das WIG-Verfahren ist für das Schweißen sowohl von unlegiertem als auch von Kohlenstoffstahl, für den ersten Schweißgang von Rohren und für Schweißungen, die ein sehr gutes Aussehen haben müssen, besonders geeignet.

Direktpolung erforderlich (D.C.S.P.).

Vorbereitung der Schweißkanten

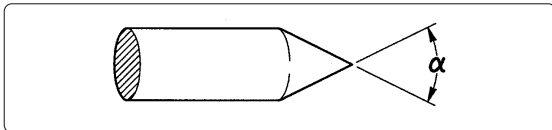
Eine sorgfältige Reinigung und Nahtvorbereitung ist erforderlich.

Wahl und Vorbereitung der Elektrode

Der Gebrauch von Zerium- oder Lanthanwolframelektroden, anstelle dessen von Elektroden aus gemischten Seltenerdoxiden mit folgenden Durchmessern wird empfohlen:

Strombereich			Elektrode	
(DC-)	(DC+)	(AC)	∅	α
3-20 A	-	3-20 A	0,5 mm	30°
15-80 A	-	20-30 A	1,0 mm	30-60°
70-150 A	10-20 A	30-80 A	1,6 mm	60-90°
150-250 A	15-30 A	60-130 A	2,4 mm	90-120°
250-400 A	25-40 A	100-180 A	3,2 mm	120-150°
400-500 A	40-55 A	160-240 A	4,0 mm	150-180°
500-750 A	55-80 A	190-300 A	4,8 mm	150-180°
750-1100 A	80-125 A	325-450 A	6,4 mm	150-180°

Die Elektrode muss wie in der Abbildung gezeigt zugespitzt werden.



Schweißgut

Die mechanischen Eigenschaften der Schweißstäbe müssen in etwa jenen des Grundmaterials entsprechen.

Aus dem Grundmaterial erhaltene Streifen dürfen nicht verwendet werden, da die von der Verarbeitung herrührenden Unreinheiten die Schweißung wesentlich beeinträchtigen könnten.

Schutzgas

In der Praxis wird fast ausschließlich (99.99 %) reines Argon verwendet.

Strombereich			Gas	
(DC-)	(DC+)	(AC)	Düse	Durchfluss
3-20 A	-	3-20 A	n° 4	5-6 l/min
15-80 A	-	20-30 A	n° 5	6-8 l/min
70-150 A	10-20 A	30-80 A	n° 6	7-10 l/min
150-250 A	15-30 A	60-130 A	n° 7	8-12 l/min
250-400 A	25-40 A	100-180 A	n° 8	10-14 l/min
400-500 A	40-55 A	160-240 A	n° 8	12-16 l/min
500-750 A	55-80 A	190-300 A	n° 10	15-20 l/min
750-1100 A	80-125 A	325-450 A	n° 12	20-25 l/min

11. TECHNISCHE DATEN

Elektrische Eigenschaften			
CORE 185 MMA			U.M.
Versorgungsspannung U1 (50/60 Hz)	1x115 (±15%)	1x230 (±15%)	Vac
Zmax (@PCC) *	658	658	mΩ
Netzsicherung (träge) (MMA)	30	30	A
Netzsicherung (träge) (TIG)	30	30	A
Kommunikation-Bus	DIGITAL	DIGITAL	
Max. Leistungsaufnahme (MMA)	3.24	6.44	kVA
Max. Leistungsaufnahme (MMA)	2.68	5.1	kW
Max. Leistungsaufnahme (TIG)	3.24	6.44	kVA
Max. Leistungsaufnahme (TIG)	2.68	5.1	kW
Leistungsaufnahme im deaktivierten Zustand	30	30	W
Leistungsfaktor (PF) (MMA)	0.99	0.99	
Leistungsfaktor (PF) (TIG)	0.99	0.99	
Wirkungsgrad (μ) (MMA)	87.2	90.3	%
Wirkungsgrad (μ) (TIG)	83.8	86.6	%
Cos φ	0.99	0.99	
Max. Stromaufnahme I1max (MMA)	27	27	A
Max. Stromaufnahme I1max (TIG)	18	24.5	A
Effektivstrom I1eff (MMA)	13.5	13.5	A
Arbeitsbereich (MMA)	20-110	20-185	A
Arbeitsbereich (TIG)	10-140	10-185	A
Leerlaufspannung Uo (MMA)	76	76	Vdc
Leerlaufspannung Uo (TIG)	76	76	Vdc
Leerlaufspannung Ur (MMA)	15	15	Vdc
Leerlaufspannung Ur (TIG)	15	15	Vdc
Einschaltdauer			
CORE 185 MMA			U.M.
Einschaltdauer WIG (40°C)	1x115	1x230	
(X=25%)	140	185	A
(X=60%)	90	120	A
(X=100%)	70	93	A
Einschaltdauer MMA / E-Hand (40°C)			
(X=25%)	110	185	A
(X=60%)	71	120	A
(X=100%)	55	93	A

Physikalische Eigenschaften		U.M.
CORE 185 MMA		
Schutzart IP	IP23S	
Isolationsklasse	H	
Abmessungen (LxBxH)	429x172x316	mm
Gewicht	9.5	Kg
Abschnitt netzkabel	3x2.5	mm ²
Länge des Versorgungskabel	3	m
Netzsteckertyp	16A 250V Type F	
Luftströmung	ja	
Konstruktionsnormen	EN IEC 60974-1/A1:2019 EN 60974-10/A1:2015	

**Die Anlage entspricht der Norm EN / IEC 61000-3-11, wenn die maximal zulässige Netzimpedanz an der Schnittstelle zum öffentlichen Netz (Netzübergabestelle) kleiner oder gleich dem festgelegten Wert Z_{max} ist. Wenn sie an ein öffentliches Niederspannungsversorgungsnetz angeschlossen wird, liegt es in der Verantwortung des Installateurs oder Betreibers der Anlage sicherzustellen, dass die Anlage angeschlossen werden darf, indem, falls notwendig, der Netzbetreiber konsultiert wird.*

**Diese Anlage entspricht der EN / IEC 61000-3-12.*

12. DATENSCHILD

voestalpine Böhler Welding
 Arc Technology s.r.l.
 Via Palladio 19
 Onara (PD), Italy
 www.voestalpine.com/welding

CORE 185^{MMA}
 Ser. no:

Designed in EU
 Assembled in PRC

EVIDENCE OF TAMPERING VOIDS WARRANTY

	EN IEC 60974-1				
	EN IEC 60974-10 Class A				
20A/20.8V - 185A (110A) / 27.4V (24.4V)					
	X	25%	60%	100%	
S	U ₀ = 76V	I ₂	185A (110A)	120A (71A)	93A (55A)
		U ₂	27.4V (24.4V)	24.8V (22.8V)	23.7V (22.2V)
10A/10.4V - 185A (140A) / 17.4V (15.6V)					
	X	25%	60%	100%	
S	U ₀ = 76V	I ₂	185A (140A)	120A (90A)	93A (70A)
		U ₂	17.4V (15.6V)	14.8V (13.6V)	13.7V (12.8V)
1~50/60 Hz		U ₁ 230V (115V)	I _{1max} 27A (27A)	I _{1nom} 13.5A (13.5A)	
IP 23 S					

03.08.544

DE

13. BEDEUTUNG DER ANGABEN AUF DEM LEISTUNGSSCHILD



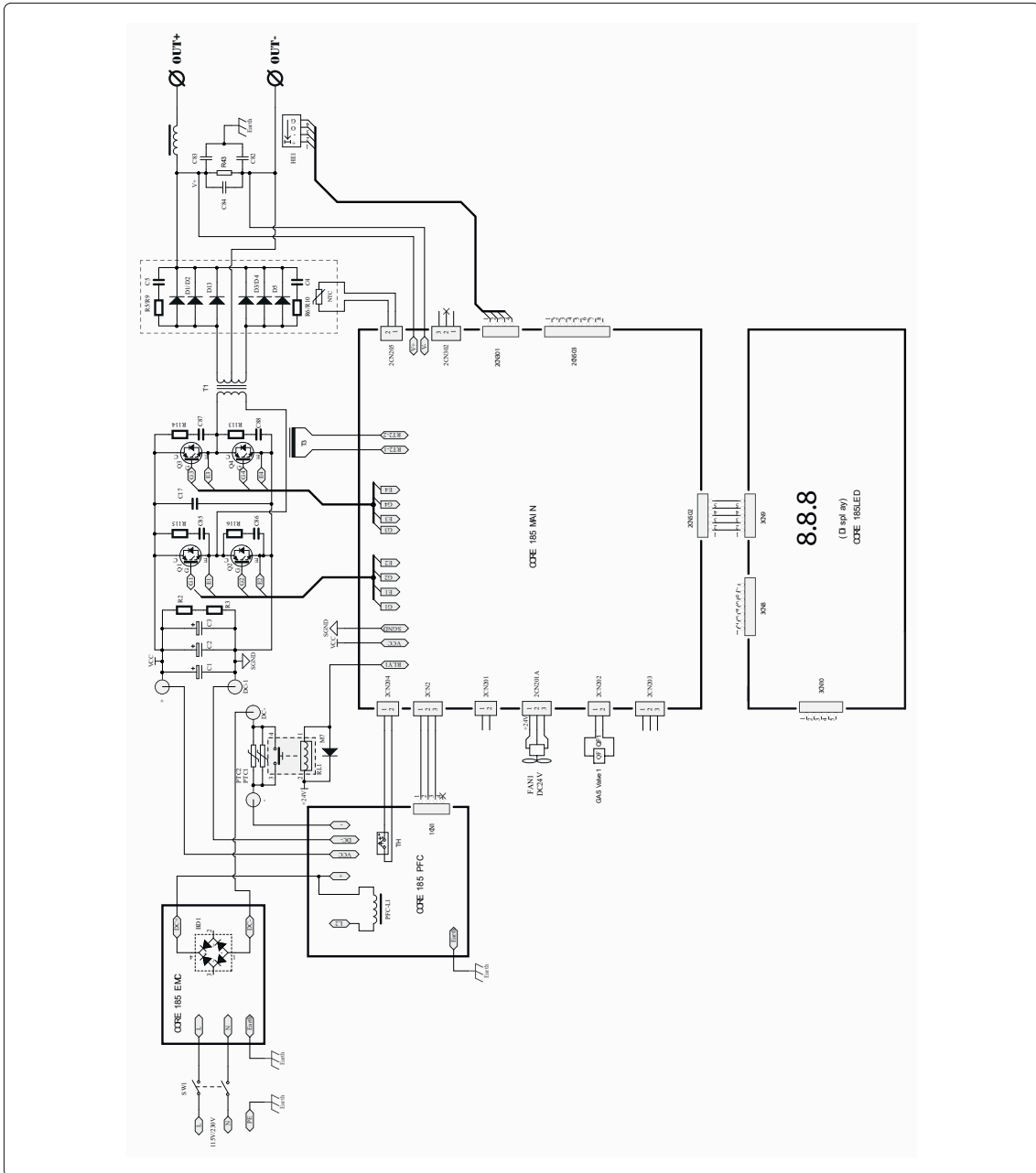
CE EU-Konformitätserklärung
 EAC EAC-Konformitätserklärung
 UKCA UKCA-Konformitätserklärung

- 1 Marke
- 2 Herstellername und -adresse
- 3 Gerätemodell
- 4 Seriennummer
 XXXXXXXXXXXX Baujahr
- 5 Symbol des Schweißmaschinentyps
- 6 Hinweis auf die Konstruktionsnormen
- 7 Symbol des Schweißverfahrens
- 8 Symbol für die Schweißmaschinen, die sich zum Betrieb in Räumen mit großer Stromschlaggefahr eignen
- 9 Symbol des Schweißstroms
- 10 Leerlauf-Nennspannung
- 11 Bereich des Nenn-Höchst- und Nenn-Mindestschweißstroms und der entsprechenden Lastspannung
- 12 Symbol der Einschaltdauer
- 13 Symbol des Nenn-Schweißstroms
- 14 Symbol der Nenn-Schweißspannung
- 15 Werte der Einschaltdauer
- 16 Werte der Einschaltdauer
- 17 Werte der Einschaltdauer
- 15A Werte des Nenn-Schweißstroms
- 16A Werte des Nenn-Schweißstroms
- 17A Werte des Nenn-Schweißstroms
- 15B Werte der üblichen Lastspannung
- 16B Werte der üblichen Lastspannung
- 17B Werte der üblichen Lastspannung
- 18 Symbol der Stromversorgung
- 19 Versorgungs-Nennspannung
- 20 Maximale Nennstromaufnahme
- 21 Maximale Effektivstromaufnahme
- 22 Schutzart

DE

14. SCHALTPLAN

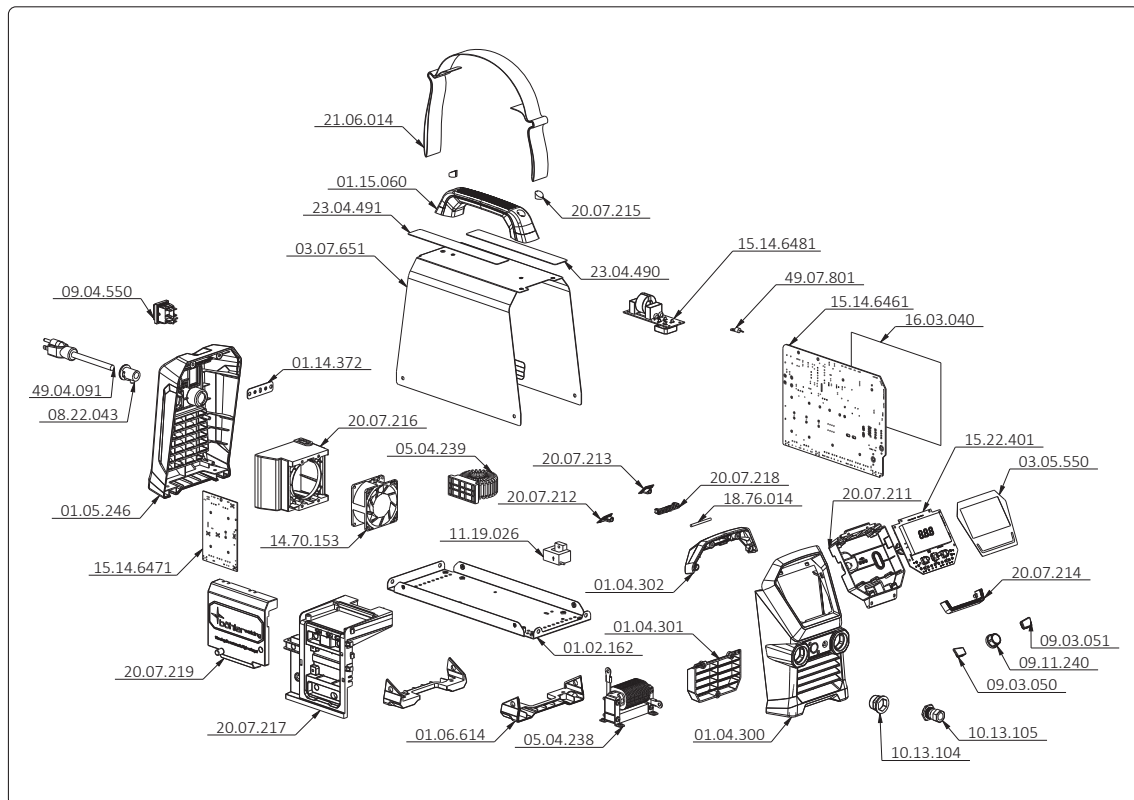
CORE 185 MMA 1x120V 1x230V (55.22.002)



DE

15. ERSATZTEILVERZEICHNIS

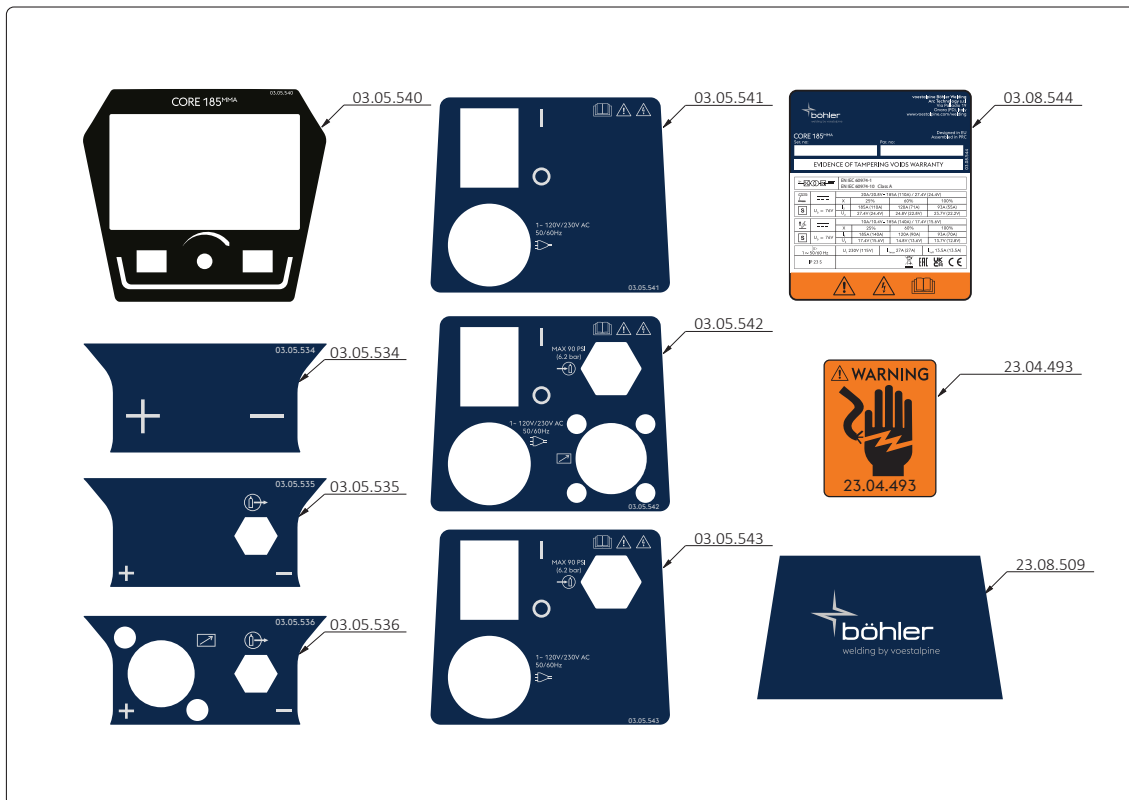
CORE 185 MMA 1x120V 1x230V (55.22.002)



ARTIKEL-NR.	BESCHREIBUNG
01.02.162	Unteres gehäuse
01.04.300	Plastikrahmen, vorne
01.04.301	Vorderer plastikdübel
01.04.302	Vorderer plastikdübel
01.05.246	Plastikrahmen, hinten
01.06.614	Plastikrahmen, unteres
01.14.372	Erdungsstange
01.15.060	Griff
03.05.550	Schild für steuerung
03.07.651	Festes gehäuse
05.04.238	Induktivität
05.04.239	Induktivität
08.22.043	Kabelklemme
09.03.050	Drucktaste
09.03.051	Drucktaste
09.04.550	Schalter
09.11.240	Drehknopf
10.13.104	Steckdosenhalterung
10.13.105	Feste steckdose 50-70mm ²
11.19.026	Hallsensor
14.70.153	Gebläse
15.14.6461	Elektronische platine
15.14.6471	Elektronische platine

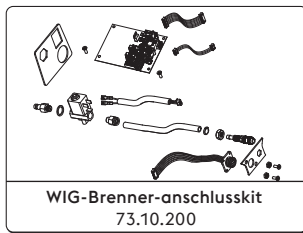
ARTIKEL-NR.	BESCHREIBUNG
15.14.6481	Elektronische platine
15.22.401	Steuerung
16.03.040	Isolierblatt
18.76.014	Zapfen
20.07.211	Plastikhülle
20.07.212	Vorderer linker deckel
20.07.213	Vorderer rechter deckel
20.07.214	Frontale led-rahmen
20.07.215	Stopfen
20.07.216	LüfTERRAdhalterung
20.07.217	Kartenhalterung
20.07.218	Halterung
20.07.219	Pfc-abdeckung
21.06.014	Riemen
23.04.490	Etikett elektrodenparameter
23.04.491	Informationsetikett
49.04.091	Speisekabel 3.8m
49.07.801	Verdrahtung

DE



ARTIKEL-NR.	BESCHREIBUNG
03.08.544	Leistungsschilder
03.05.534	Vorderschild
03.05.535	Vorderschild
03.05.536	Vorderschild
03.05.540	Vorderschild
03.05.541	Hinterschild
03.05.542	Hinterschild
03.05.543	Hinterschild
23.04.493	Hinweistikett
23.08.509	Seitliches motorhaubenetikett

16. ZUBEHÖR

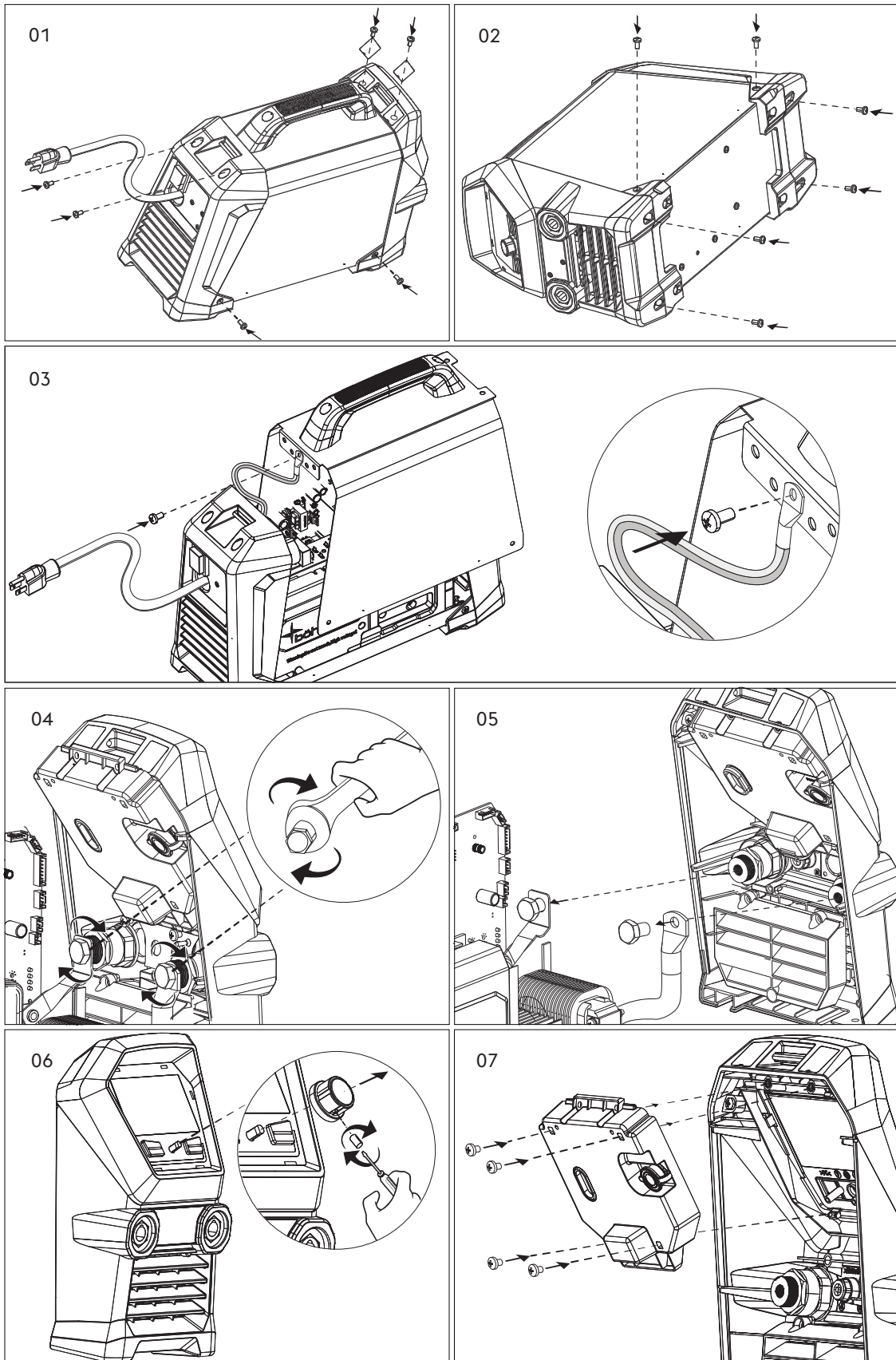


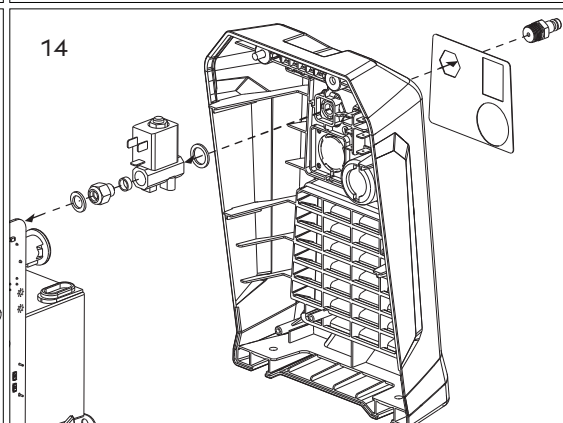
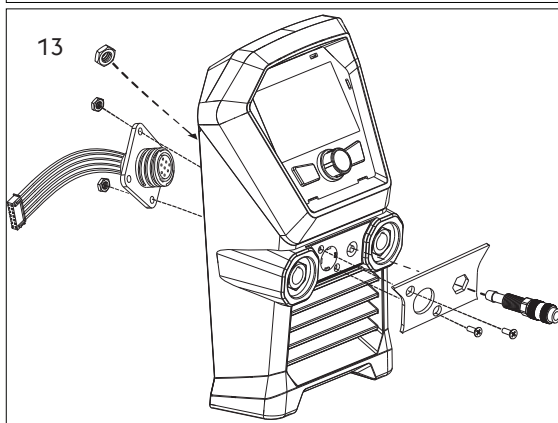
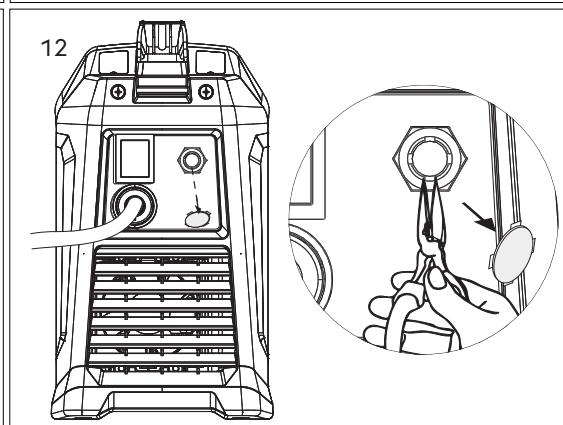
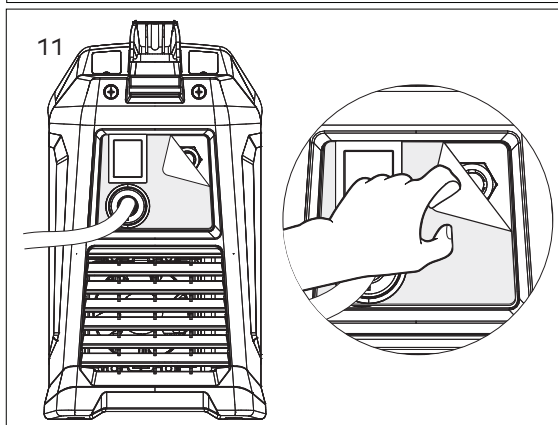
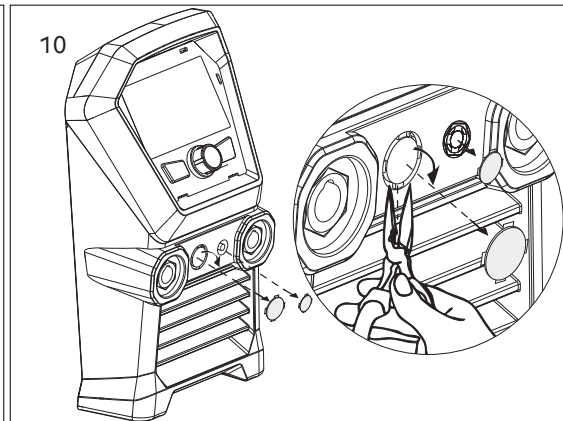
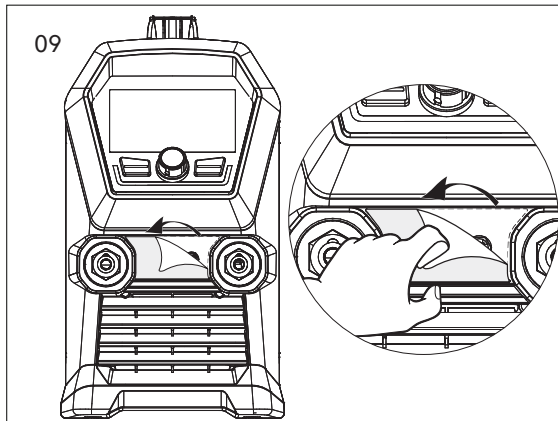
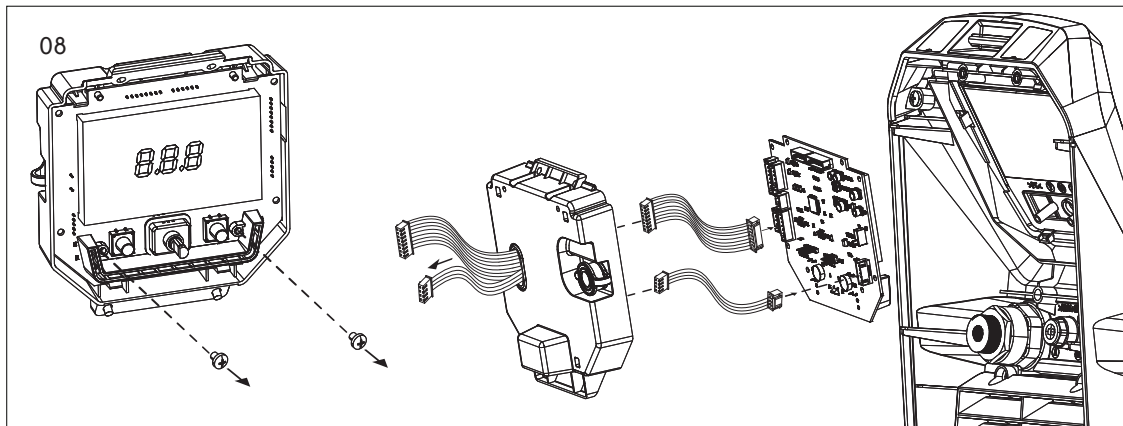
Siehe Abschnitt "Installation kits/zubehör".

17. INSTALLATION KITS/ZUBEHÖR

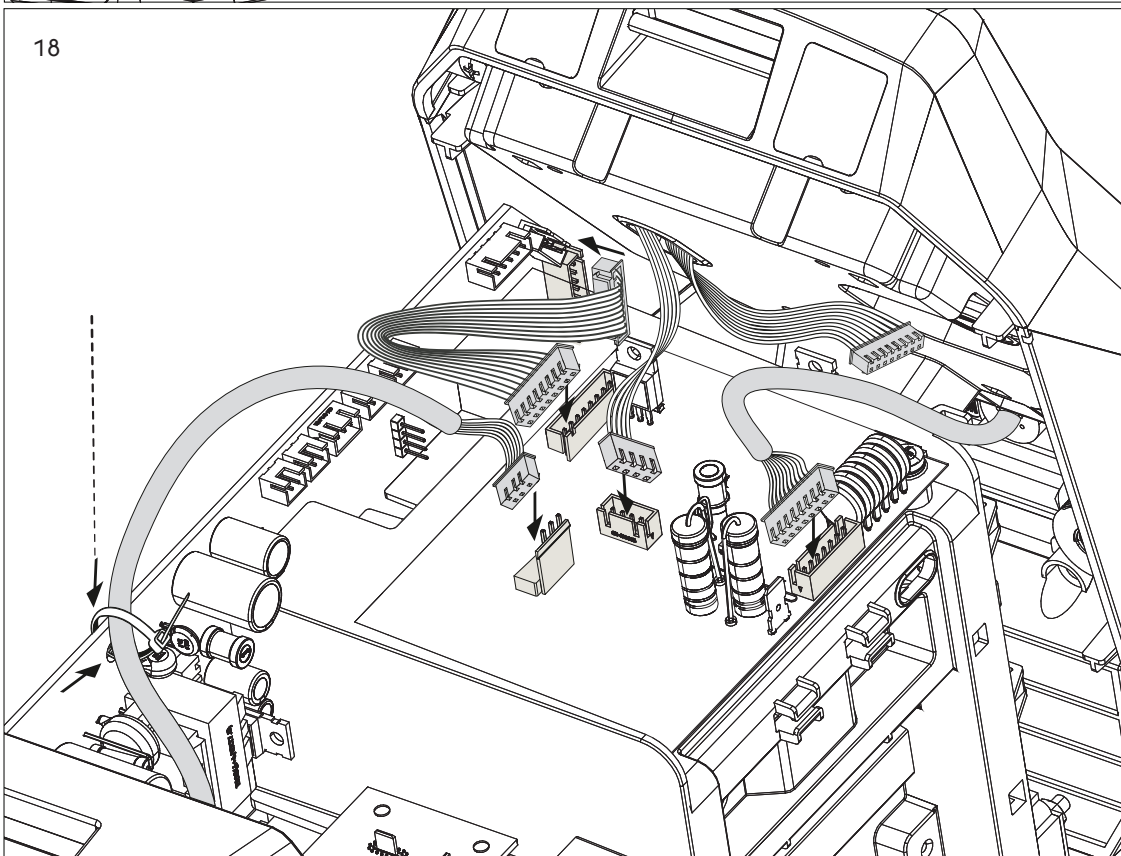
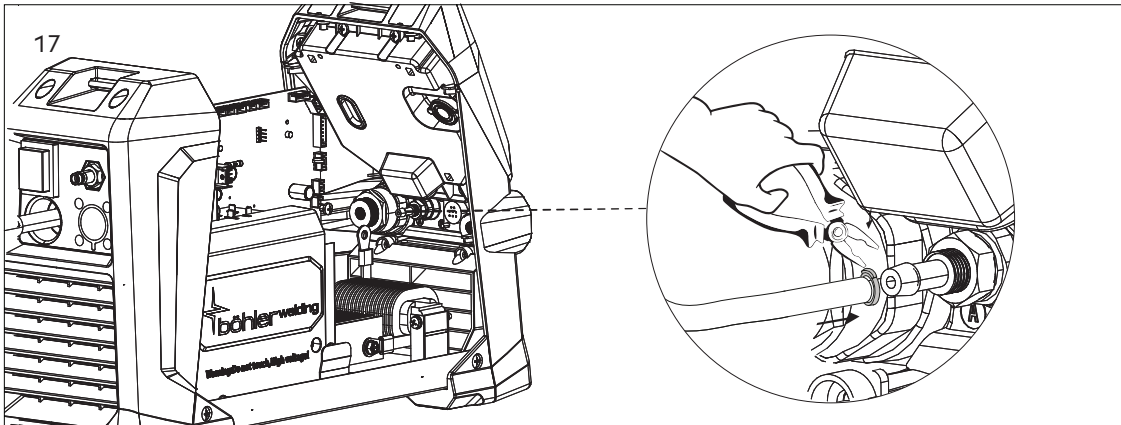
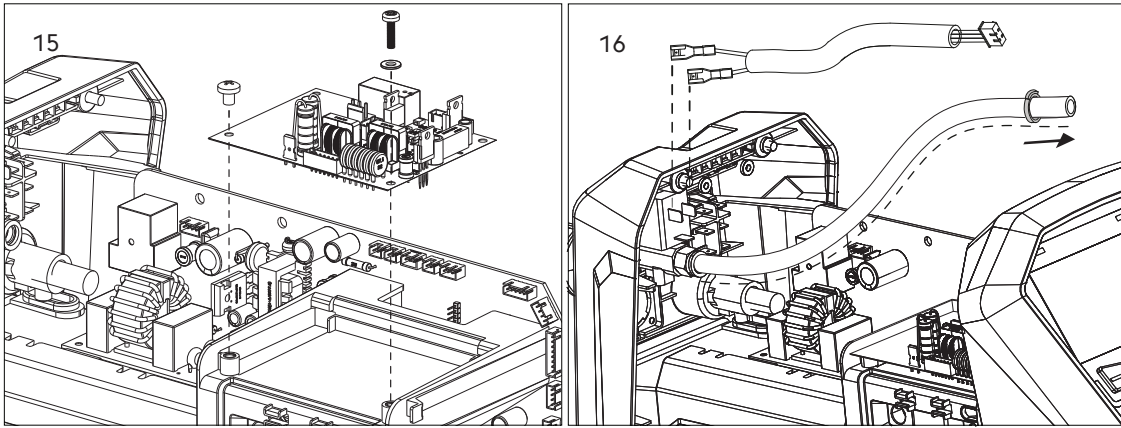
73.10.200 WIG-Brenner-anschlusskit

DE





DE



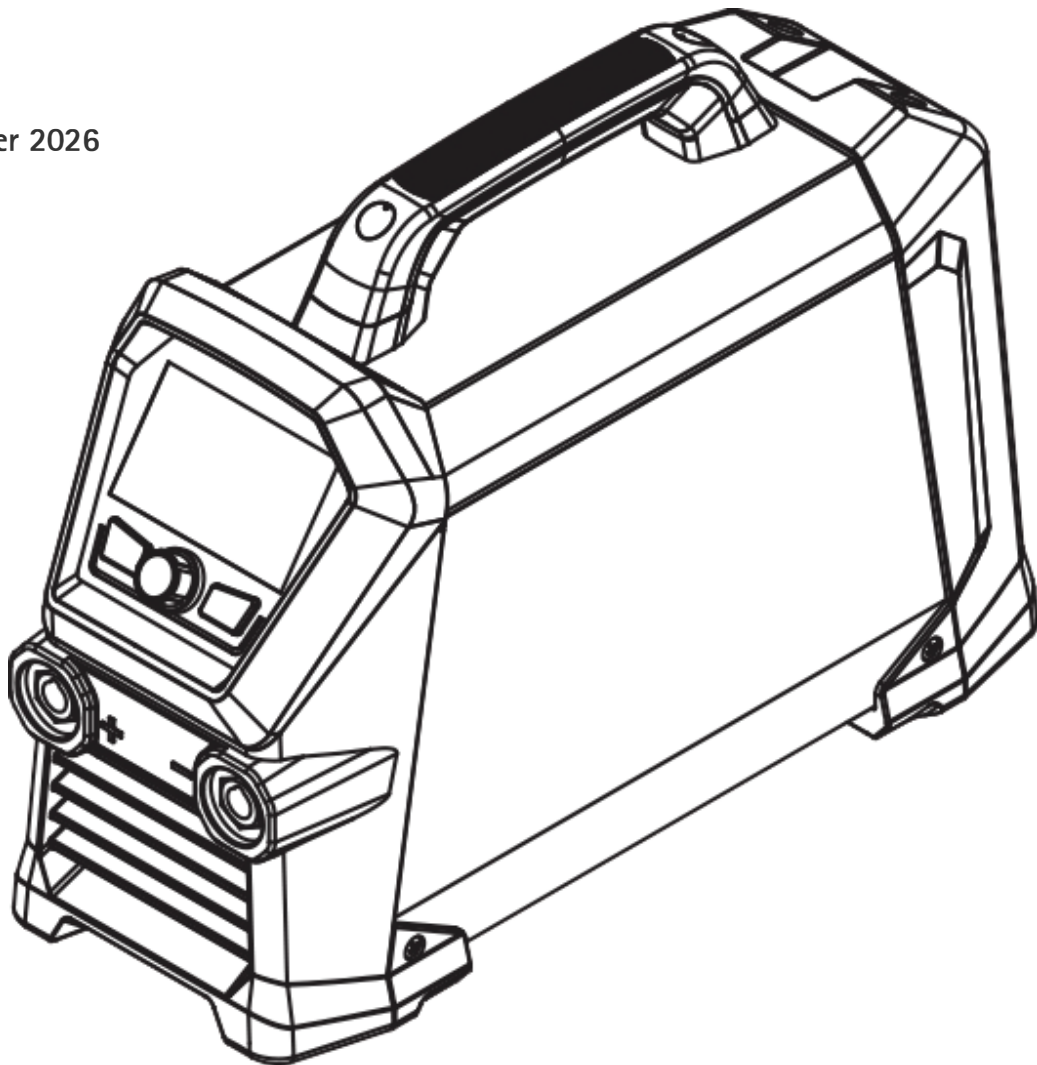
Lasting Connections

CORE 185 MMA

MANUEL DE L'UTILISATEUR



reddot winner 2026





91.08.607
03/11/2025
Rev.A



CORE 185 MMA

DÉCLARATION DE CONFORMITÉ UE

Le constructeur
voestalpine Böhler Welding Arc Technology S.r.l.
Via Palladio, 19 - 35019 Onara di Tombolo (PD) - ITALIE
Tél. +39 049 9413/111 - Fax +39 049 9413/311 - www.voestalpine.com/welding

FR

déclare sous sa seule responsabilité que le produit suivant:

CORE 185 MMA 55.22.002

est conforme aux directives EU:

2014/35/EU LOW VOLTAGE DIRECTIVE

2014/30/EU EMC DIRECTIVE

2011/65/EU RoHS DIRECTIVE

2019/1784/EU EcoDesign

2009/125/EU EcoDesign

et que les normes harmonisées suivantes ont été appliquées:

EN IEC 60974-1/A1:2019 WELDING POWER SOURCE

EN 60974-10/A1:2015 ELECTROMAGNETIC COMPATIBILITY REQUIREMENTS

EN 50445:2008

EN IEC 63000:2018

La documentation certifiant le respect des directives sera tenue à disposition pour les inspections chez le fabricant susmentionné.

Toute intervention ou modification non autorisée par voestalpine Böhler Welding Arc Technology S.r.l. annulera la validité de cette déclaration.

Onara di Tombolo, 03/11/2025

voestalpine Böhler Welding Arc Technology S.r.l.



Mirco Frasson Pawel Dawid Lipinski

Managing Directors

INDEX GENERAL

1. ÉTIQUETTE D'AVERTISSEMENT	8
1.1 Protection contre les décharges électriques	8
1.2 Protection contre les fumées et les gaz	8
1.3 Protection individuelle et de l'entourage	9
1.4 Prévention dans l'emploi de bouteilles de gaz	9
1.5 Champs électromagnétiques et interférences	9
1.6 Prévention contre le risque d'incendie et d'explosion	10
2. AVERTISSEMENT	11
2.1 Environnement d'utilisation	11
2.2 Protection individuelle et de l'entourage	12
2.3 Protection contre les fumées et les gaz	13
2.4 Prévention contre le risque d'incendie et d'explosion	13
2.5 Prévention dans l'emploi de bouteilles de gaz	13
2.6 Protection contre les décharges électriques	14
2.7 Champs électromagnétiques et interférences	14
2.8 Degré de protection IP	15
2.9 Élimination	15
3. INSTALLATION	16
3.1 Mode de soulèvement, de transport et de déchargement	16
3.2 Installation de l'appareil	16
3.3 Branchement et raccordement	16
3.4 Mise en service	17
4. PRÉSENTATION DE L'APPAREIL	19
4.1 Panneau arrière	19
4.2 Panneau prises	19
4.3 Panneau de commande frontal	20
5. UTILISATION DE L'INSTALLATION	22
5.1 Écran principal	22
5.2 Écran principal du procédé MMA	22
5.3 Sélection des paramètres de synergie	23
5.4 Écran principal du procédé MMA Pulsé	25
5.5 Écran principal du procédé TIG Lift	26
5.6 Écran principal du procédé TIG LIFT Pointage	26
5.7 Écran de programmes (JOB POINT)	27
5.8 Barre LED	28
5.9 Maintenance adaptative	29
6. MENU SET UP	30
7. ENTRETIEN	35
7.1 Contrôles périodiques sur le générateur	35
7.2 Responsabilité	35
8. CODES D'ALARME	36
9. DIAGNOSTIC ET SOLUTIONS	37
10. MODE D'EMPLOI	38
10.1 Soudage à l'électrode enrobée (MMA)	38
10.2 Soudage TIG (arc en soudure continue)	39
11. CARACTÉRISTIQUES TECHNIQUES	41
12. PLAQUE DONNÉES	43
13. SIGNIFICATION DE LA PLAQUE DES DONNÉES	44
14. SCHÉMA	45
15. LISTE DE PIÈCES DÉTACHÉES	46
16. ACCESSOIRES	49
17. INSTALLATION KIT/ACCESSOIRES	50

SYMBOLOLOGIE



Avertissement



Interdictions



Obligations



Indications générales

1. ÉTIQUETTE D'AVERTISSEMENT



1.1 Protection contre les décharges électriques



Une décharge électrique peut être mortelle.

- Éviter de toucher les parties normalement sous tension à l'intérieur ou à l'extérieur de l'installation de soudage quand cette dernière est alimentée (les torches, les pinces, les câbles de masse, les électrodes, les fils, les galets et les bobines sont branchés au circuit de soudage).
- Garantir l'isolation de l'installation et de l'opérateur en utilisant des sols et des plans secs et suffisamment isolés de la terre.
- S'assurer que l'installation soit connectée correctement à une fiche et à un réseau muni d'un conducteur de mise à la terre.
- Ne pas toucher en même temps deux torches ou deux pinces porte-électrodes.
- Interrompre immédiatement les opérations de soudage en cas de sensation de décharge électrique.



Le système d'amorçage et de stabilisation d'arc est conçu pour des opérations manuelles ou guidées mécaniquement.



L'augmentation de la longueur des câbles de soudage ou de torche de plus de 8 m augmentera le risque de choc électrique.

1.2 Protection contre les fumées et les gaz



Les fumées, les gaz et les poussières produits par le procédé de soudage peuvent être nocifs pour la santé.

Les fumées qui se dégagent durant le processus de soudage peuvent, dans certaines circonstances, provoquer le cancer ou nuire au fœtus chez les femmes enceintes.

- Veiller à ne pas être en contact avec les gaz et les fumées de soudage.
- Prévoir une ventilation adéquate, naturelle ou forcée, dans la zone de travail.
- En cas d'aération insuffisante, utiliser un masque à gaz spécifique.
- En cas d'opérations de soudage dans des locaux de petites dimensions, il est conseillé de faire surveiller l'opérateur par un collègue situé à l'extérieur.
- Ne pas utiliser d'oxygène pour la ventilation.
- S'assurer que l'aspiration est efficace en contrôlant régulièrement si les gaz nocifs ne dépassent pas les valeurs admises par les normes de sécurité.
- La quantité et le niveau de risque des fumées produites dépendent du métal de base utilisé, du métal d'apport et des substances éventuelles utilisées pour nettoyer et dégraisser les pièces à souder. Suivre attentivement les instructions du fabricant et les fiches techniques correspondantes.
- Ne pas effectuer d'opérations de soudage à proximité d'ateliers de dégraissage ou de peinture.
- Placer les bouteilles de gaz dans des endroits ouverts ou dans un local bien aéré.

1.3 Protection individuelle et de l'entourage



Le procédé de soudage constitue une source nocive de radiations, de bruit, de chaleur et d'émanations gazeuses.

Installer une cloison de séparation ignifuge afin de protéger la zone de soudage des rayons, projections et déchets incandescents.

Rappeler aux personnes dans la zone de soudage de ne fixer ni les rayons de l'arc, ni les pièces incandescentes et de porter des vêtements de protection appropriés.



Éviter de toucher les pièces qui viennent d'être soudées car la forte chaleur pourrait provoquer des brûlures graves.

Suivre également toutes les précautions indiquées plus haut en fin de soudage car des résidus en cours de refroidissement pourraient se détacher des pièces usinées.



Utiliser un masque avec des protections latérales pour le visage et un filtre de protection adéquat pour les yeux (au moins NR10 ou supérieur).

1.4 Prévention dans l'emploi de bouteilles de gaz



Les bouteilles de gaz inertes contiennent du gaz sous pression et peuvent exploser si les conditions requises en matière de transport, de conservation et d'utilisation ne sont pas garanties.

- Les bouteilles doivent être rangées verticalement contre le mur ou contre un support et être maintenues par des moyens appropriés pour qu'elles ne tombent pas et éviter des chocs mécaniques accidentels.
- Visser le capuchon pour protéger la valve durant le transport ou la mise en service et chaque fois que les opérations de soudage sont terminées.
- Ne pas laisser les bouteilles au soleil et ne pas les exposer aux gros écarts de températures trop élevées ou trop extrêmes. Ne pas exposer les bouteilles à des températures trop basses ou trop élevées.
- Veiller à ce que les bouteilles ne soient pas en contact avec une flamme, avec un arc électrique, avec une torche ou une pince porte-électrodes, ni avec des projections incandescentes produites par le soudage.
- Garder les bouteilles loin des circuits de soudage et des circuits électriques en général.
- Éloigner la tête de l'orifice de sortie du gaz au moment d'ouvrir la valve de la bouteille.
- Toujours refermer la valve de la bouteille quand les opérations de soudage sont terminées.
- Ne jamais souder une bouteille de gaz sous pression.
- Ne jamais relier une bouteille d'air comprimé directement au réducteur de pression de la machine! Si la pression dépasse la capacité du réducteur, celui-ci pourrait exploser!

1.5 Champs électromagnétiques et interférences



Le passage du courant dans les câbles à l'intérieur et à l'extérieur de l'installation crée un champ électromagnétique à proximité de cette dernière et des câbles de soudage.

- Les champs électromagnétiques peuvent avoir des effets (jusqu'ici inconnus) sur la santé de ceux qui y sont exposés pendant un certain temps.
- Les champs électromagnétiques peuvent interférer avec d'autres appareils tels que les stimulateurs cardiaques ou les appareils acoustiques.
- Les personnes qui portent un stimulateur cardiaque (pacemaker) ou un appareil auditif doivent consulter le médecin avant d'effectuer des opérations de soudure à l'arc.

1.6 Prévention contre le risque d'incendie et d'explosion



Le procédé de soudage peut causer des incendies et/ou des explosions.

- Débarrasser la zone de travail et ses abords de tous les matériaux et objets inflammables ou combustibles.
- Les matériaux inflammables doivent se trouver à au moins 11 mètres (35 pieds) de la zone de soudage et être entièrement protégés.
- Les projections et les particules incandescentes peuvent facilement être projetées à distance, même à travers des fissures. Veiller à ce que les personnes et les biens soient à une distance suffisante de sécurité.
- Ne pas effectuer de soudures sur ou à proximité de récipients sous pression.
- Ne pas effectuer d'opérations de soudage ou de découpage sur des containers ou des tubes fermés. Faire très attention au moment de souder des tuyaux ou des containers, même ouverts, vidés et nettoyés soigneusement. Des résidus de gaz, de carburant, d'huile ou autre pourraient provoquer une explosion.
- Ne pas souder dans une atmosphère contenant des poussières, des gaz ou des vapeurs explosives.
- Ne pas découper dans une atmosphère contenant des poussières, des gaz ou des vapeurs explosives.
- S'assurer, en fin de soudage, que le circuit sous tension ne peut pas toucher accidentellement des pièces connectées au circuit de masse.
- Installer à proximité de la zone de travail un équipement ou un dispositif anti-incendie.

2. AVERTISSEMENT



Avant de commencer toute opération, assurez-vous d'avoir bien lu et bien compris ce manuel.

N'apportez pas de modification et n'effectuez pas d'opération de maintenance si elles ne sont pas indiquées dans ce manuel. Le fabricant n'est pas responsable des dommages causés aux personnes ou aux objets en cas de non-respect ou de mise en pratique incorrecte des instructions de ce manuel.

Les Instructions de service doivent être conservées en permanence sur le lieu d'utilisation de l'appareil. En complément des présentes instructions de service, les règles générales et locales en vigueur concernant la prévention des accidents et la protection de l'environnement doivent être respectées.

voestalpine Böhler Welding Arc Technology S.r.l. se réserve le droit d'apporter des modifications à tout moment et sans aucun préavis.

Les droits de traduction, de reproduction totale ou partielle quels que soient les moyens (y compris les photocopies, les films et les microfilms) sont réservés et interdits sans l'autorisation écrite de voestalpine Böhler Welding Arc Technology S.r.l.

Ce qui est reporté ci-dessous est très important et donc nécessaire afin que la garantie puisse être valable.

Le fabricant décline toute responsabilité si l'opérateur ne respecte pas les indications.



Toutes les personnes concernées par la mise en service, l'utilisation, la maintenance et la remise en état de l'appareil doivent:

- posséder les qualifications correspondantes
- avoir des connaissances en soudage
- lire attentivement et suivre avec précision les prescriptions des présentes Instructions de service

Prière de consulter du personnel qualifié en cas de doute ou de problème sur l'utilisation de l'installation, même si elle n'est pas décrite ici.

2.1 Environnement d'utilisation



Chaque installation ne doit être utilisée que dans le but exclusif pour lequel elle a été conçue, de la façon et dans les limites prévues sur la plaque signalétique et/ou dans ce manuel, selon les directives nationales et internationales relatives à la sécurité. Un usage autre que celui expressément déclaré par le fabricant doit être considéré comme inapproprié et dangereux et décharge ce dernier de toute responsabilité.



Cet appareil doit être utilisé exclusivement dans un but professionnel, dans un environnement industriel. Le fabricant n'est pas responsable des dommages causés en cas d'usage domestique.



L'installation doit être utilisée dans un local dont la température est comprise entre -10 et +40°C (entre +14 et +104°F).

L'installation doit être transportée et stockée dans un local dont la température est comprise entre -25 et +55°C (entre -13 et 131°F).

L'installation doit être utilisée dans un local sans poussière, ni acide, ni gaz ou autres substances corrosives.

L'installation ne doit pas être utilisée dans un local dont le taux d'humidité dépasse 50% à 40°C (104°F).

L'installation ne doit pas être utilisée dans un local dont le taux d'humidité dépasse 90% à 20°C (68°F).

L'installation ne doit pas être utilisée à une altitude supérieure à 2000 m au dessus du niveau de la mer (6500 pieds).



Ne pas utiliser cet appareil pour dégeler des tuyaux.

Ne pas utiliser cet appareil pour recharger des batteries et/ou des accumulateurs.

Ne pas utiliser cet appareil pour démarrer des moteurs.

2.2 Protection individuelle et de l'entourage



Le procédé de soudage constitue une source nocive de radiations, de bruit, de chaleur et d'émanations gazeuses. Installer une cloison de séparation ignifuge afin de protéger la zone de soudage des rayons, projections et déchets incandescents. Rappeler aux personnes dans la zone de soudage de ne fixer ni les rayons de l'arc, ni les pièces incandescentes et de porter des vêtements de protection appropriés.



Porter des vêtements de protection afin de protéger la peau contre les rayons de l'arc, les projections ou contre le métal incandescent. Les vêtements portés doivent couvrir l'ensemble du corps et:

- être en bon état
- être ignifuges
- être isolants et secs
- coller au corps et ne pas avoir de revers



Toujours porter des chaussures conformes aux normes, résistantes et en mesure de bien isoler de l'eau.



Toujours utiliser des gants conformes aux normes et en mesure de garantir l'isolation électrique et thermique.



Utiliser un masque avec des protections latérales pour le visage et un filtre de protection adéquat pour les yeux (au moins NR10 ou supérieur).



Toujours porter des lunettes de sécurité avec des coques latérales, particulièrement lors du nettoyage manuel ou mécanique des cordons de soudage.



Ne pas utiliser de lentilles de contact!



Utiliser un casque contre le bruit si le procédé de soudage atteint un niveau de bruit dangereux. Si le niveau de bruit dépasse les limites prescrites par la loi, délimiter la zone de travail et s'assurer que les personnes qui y accèdent portent un casque ou des bouchons de protection.



Toujours laisser les panneaux latéraux fermés durant les opérations de soudage. L'installation ne doit absolument pas être modifiée.



Éviter de toucher les pièces qui viennent d'être soudées car la forte chaleur pourrait provoquer des brûlures graves.



Suivre également toutes les précautions indiquées plus haut en fin de soudage car des résidus en cours de refroidissement pourraient se détacher des pièces usinées.



S'assurer que la torche est froide avant d'intervenir dessus ou d'effectuer une opération d'entretien quelconque.



S'assurer que le groupe de refroidissement est éteint avant de déconnecter les tuyaux de circulation du liquide réfrigérant. Le liquide chaud en sortie pourrait provoquer des brûlures graves.



Avoir à disposition une trousse de secours.
Ne pas sous-estimer les brûlures ou les blessures.



Avant de quitter le poste de travail, sécuriser la zone afin d'empêcher tout risque d'accident ou de dommages aux personnes ou aux biens.

2.3 Protection contre les fumées et les gaz



Les fumées, les gaz et les poussières produits par le procédé de soudage peuvent être nocifs pour la santé.

Les fumées qui se dégagent durant le processus de soudage peuvent, dans certaines circonstances, provoquer le cancer ou nuire au fœtus chez les femmes enceintes.

- Veiller à ne pas être en contact avec les gaz et les fumées de soudage.
- Prévoir une ventilation adéquate, naturelle ou forcée, dans la zone de travail.
- En cas d'aération insuffisante, utiliser un masque à gaz spécifique.
- En cas d'opérations de soudage dans des locaux de petites dimensions, il est conseillé de faire surveiller l'opérateur par un collègue situé à l'extérieur.
- Ne pas utiliser d'oxygène pour la ventilation.
- S'assurer que l'aspiration est efficace en contrôlant régulièrement si les gaz nocifs ne dépassent pas les valeurs admises par les normes de sécurité.
- La quantité et le niveau de risque des fumées produites dépendent du métal de base utilisé, du métal d'apport et des substances éventuelles utilisées pour nettoyer et dégraisser les pièces à souder. Suivre attentivement les instructions du fabricant et les fiches techniques correspondantes.
- Ne pas effectuer d'opérations de soudage à proximité d'ateliers de dégraissage ou de peinture.
- Placer les bouteilles de gaz dans des endroits ouverts ou dans un local bien aéré.

2.4 Prévention contre le risque d'incendie et d'explosion



Le procédé de soudage peut causer des incendies et/ou des explosions.

- Débarrasser la zone de travail et ses abords de tous les matériaux et objets inflammables ou combustibles.
- Les matériaux inflammables doivent se trouver à au moins 11 mètres (35 pieds) de la zone de soudage et être entièrement protégés.
- Les projections et les particules incandescentes peuvent facilement être projetées à distance, même à travers des fissures. Veiller à ce que les personnes et les biens soient à une distance suffisante de sécurité.
- Ne pas effectuer de soudures sur ou à proximité de récipients sous pression.
- Ne pas effectuer d'opérations de soudage ou de découpage sur des containers ou des tubes fermés. Faire très attention au moment de souder des tuyaux ou des containers, même ouverts, vidés et nettoyés soigneusement. Des résidus de gaz, de carburant, d'huile ou autre pourraient provoquer une explosion.
- Ne pas souder dans une atmosphère contenant des poussières, des gaz ou des vapeurs explosives.
- S'assurer, en fin de soudage, que le circuit sous tension ne peut pas toucher accidentellement des pièces connectées au circuit de masse.
- Installer à proximité de la zone de travail un équipement ou un dispositif anti-incendie.

2.5 Prévention dans l'emploi de bouteilles de gaz



Les bouteilles de gaz inertes contiennent du gaz sous pression et peuvent exploser si les conditions requises en matière de transport, de conservation et d'utilisation ne sont pas garanties.

- Les bouteilles doivent être rangées verticalement contre le mur ou contre un support et être maintenues par des moyens appropriés pour qu'elles ne tombent pas et éviter des chocs mécaniques accidentels.
- Visser le capuchon pour protéger la valve durant le transport ou la mise en service et chaque fois que les opérations de soudage sont terminées.
- Ne pas laisser les bouteilles au soleil et ne pas les exposer aux gros écarts de températures trop élevées ou trop extrêmes. Ne pas exposer les bouteilles à des températures trop basses ou trop élevées.
- Veiller à ce que les bouteilles ne soient pas en contact avec une flamme, avec un arc électrique, avec une torche ou une pince porte-électrodes, ni avec des projections incandescentes produites par le soudage.
- Garder les bouteilles loin des circuits de soudage et des circuits électriques en général.
- Éloigner la tête de l'orifice de sortie du gaz au moment d'ouvrir la valve de la bouteille.
- Toujours refermer la valve de la bouteille quand les opérations de soudage sont terminées.
- Ne jamais souder une bouteille de gaz sous pression.
- Ne jamais relier une bouteille d'air comprimé directement au réducteur de pression de la machine! Si la pression dépasse la capacité du réducteur, celui-ci pourrait exploser!

2.6 Protection contre les décharges électriques



Une décharge électrique peut être mortelle.

- Éviter de toucher les parties normalement sous tension à l'intérieur ou à l'extérieur de l'installation de soudage quand cette dernière est alimentée (les torches, les pinces, les câbles de masse, les électrodes, les fils, les galets et les bobines sont branchés au circuit de soudage).
- Garantir l'isolation de l'installation et de l'opérateur en utilisant des sols et des plans secs et suffisamment isolés de la terre.
- S'assurer que l'installation soit connectée correctement à une fiche et à un réseau muni d'un conducteur de mise à la terre.
- Ne pas toucher en même temps deux torches ou deux pinces porte-électrodes.
- Interrompre immédiatement les opérations de soudage en cas de sensation de décharge électrique.



Le système d'amorçage et de stabilisation d'arc est conçu pour des opérations manuelles ou guidées mécaniquement.

2.7 Champs électromagnétiques et interférences



Les personnes qui portent un stimulateur cardiaque (pacemaker) ou un appareil auditif doivent consulter le médecin avant d'effectuer des opérations de soudure à l'arc.



Le passage du courant dans les câbles à l'intérieur et à l'extérieur de l'installation crée un champ électromagnétique à proximité de cette dernière et des câbles de soudage.

- Les champs électromagnétiques peuvent avoir des effets (jusqu'ici inconnus) sur la santé de ceux qui y sont exposés pendant un certain temps.
- Les champs électromagnétiques peuvent interférer avec d'autres appareils tels que les stimulateurs cardiaques ou les appareils acoustiques.

2.7.1 Classification CEM selon la norme: EN 60974-10/A1:2015.



Los dispositivos de clase B cumplen con los requisitos de compatibilidad electromagnética en entornos industriales y residenciales, incluyendo las áreas residenciales en las que la energía eléctrica se suministra desde un sistema público de baja tensión.



Los dispositivos de clase A no están destinados al uso en áreas residenciales en las que la energía eléctrica se suministra desde un sistema público de baja tensión. Il pourrait être difficile d'assurer la compatibilité électromagnétique d'appareils de classe A dans de tels environnements, en raison de perturbations par rayonnement ou conduction.

Pour plus d'informations, consultez le chapitre: PLAQUE DONNÉES ou CARACTÉRISTIQUES TECHNIQUES.

2.7.2 Installation, utilisation et évaluation de la zone

Ce matériel a été fabriqué conformément aux dispositions relatives à la norme harmonisée EN 60974-10/A1:2015 et est considéré comme faisant partie de la " CLASSE A ". Cet appareil doit être utilisé exclusivement dans un but professionnel, dans un environnement industriel. Le fabricant n'est pas responsable des dommages causés en cas d'usage domestique.



L'utilisateur, qui doit être un expert dans le domaine, est responsable en tant que tel de l'installation et de l'utilisation de l'appareil selon les instructions du constructeur. Si des perturbations électromagnétiques apparaissent, il est de la responsabilité de l'utilisateur de résoudre le problème en demandant conseil au service après-vente du constructeur.



Dans tous les cas, les perturbations électromagnétiques doivent être réduites de manière à ne plus représenter une gêne.



Avant l'installation de l'appareil, l'utilisateur devra évaluer les problèmes électromagnétiques potentiels qui pourraient survenir aux abords de la zone de travail et en particulier sur la santé des personnes situées à proximité (personnes portant un pacemaker ou un appareil auditif).

2.7.3 Exigences de l'alimentation de secteur

Le courant primaire peut entraîner des distortions du réseau sur les appareils de forte puissance. Aussi les restrictions et exigences de connexion sur les impédances maximum autorisées du réseau (Z_{max}) ou sur la capacité d'alimentation minimum (S_{sc}) requise au point d'interface du réseau public (point de couplage commun, PCC), peuvent s'appliquer à quelques modèles d'appareils (se reporter aux caractéristiques techniques). Dans ce cas, il est de la responsabilité de l'installateur ou de l'utilisateur de l'appareil de s'assurer, en consultant l'opérateur de réseau de distribution si nécessaire, que l'appareil peut être connecté. En cas d'interférence, il pourrait être nécessaire de prendre des précautions supplémentaires, telles que le filtrage de l'alimentation de secteur.

Il faut également envisager la possibilité de blinder le câble d'alimentation.

Pour plus d'informations, consultez le chapitre: CARACTÉRISTIQUES TECHNIQUES.

2.7.4 Précautions concernant les câbles

Se conformer aux règles suivantes pour réduire les effets des champs électromagnétiques:

- Ne jamais enrouler les câbles autour du corps.
- Ne pas se placer entre le câble de masse et le câble de puissance (les mettre tous les deux du même côté).
- Les câbles doivent rester les plus courts possible, être placés proche l'un de l'autre à même le sol ou près du niveau du sol.
- Placer l'installation à une certaine distance de la zone de soudage.
- Les câbles ne doivent pas être placés à proximité d'autres câbles.

2.7.5 Branchement equipotentiel

Le branchement à la masse de tous les composants métalliques de l'installation de soudage (découpage) et adjacents à cette installation doit être envisagé. Respecter les normes nationales concernant la branchement equipotentiel.

2.7.6 Mise a la terre de la pièce à souder

Quand la pièce à souder n'est pas reliée à la terre, pour des motifs de sécurité électrique ou à cause de son encombrement et de sa position, un branchement reliant la pièce à la terre pourrait réduire les émissions. Il faut veiller à ce que la mise à la terre de la pièce à souder n'augmente pas le risque d'accident pour les utilisateurs ou de dommages sur d'autres appareils électriques. Respecter les normes nationales concernant la mise à la terre.

2.7.7 Blindage

Le blindage sélectif d'autres câbles et appareils présents à proximité de la zone peut réduire les problèmes d'interférences.

Le blindage de toute l'installation de soudage peut être envisagé pour des applications spéciales.

2.8 Degré de protection IP



IP23S

- Boîtier de protection contre l'accès aux parties dangereuses par un doigt et contre des corps solides étrangers ayant un diamètre supérieur/égal à 12.5 mm.
- Grille de protection contre une pluie tombant à 60°.
- Boîtier protégé contre les effets nuisibles dus à la pénétration d'eau lorsque les parties mobiles de l'appareil ne sont pas encore en fonctionnement.

2.9 Élimination



Ne pas éliminer les équipements électriques avec les déchets ménagers !

Conformément à la Directive européenne 2012/19/UE relative aux déchets d'équipements électriques et électroniques et à sa mise en œuvre conformément aux lois nationales, les équipements électriques qui ont atteint la fin de leur cycle de vie doivent être collectés séparément et envoyés à un centre de récupération et d'élimination. Le propriétaire de l'équipement doit identifier les centres de collecte agréés en se renseignant auprès des autorités locales. L'application de la Directive Européenne permettra de respecter l'environnement et la santé des êtres humains.

» Pour plus d'informations, consulter le site.

3. INSTALLATION



L'installation ne peut être effectuée que par du personnel expérimenté et agréé par le constructeur.



Pendant l'installation, s'assurer que le générateur est déconnecté du réseau.



Il est interdit de connecter, en série ou en parallèle, des générateurs.

3.1 Mode de soulèvement, de transport et de déchargement

- Le générateur est équipé d'une courroie extensible permettant le portage en bandoulière ou à la main.
- La machine ne dispose d'aucun élément spécifique pour le levage.
- Utiliser un chariot élévateur à fourches en faisant très attention au moment de déplacer le générateur afin d'éviter de le faire basculer.



Ne pas sous-évaluer le poids de l'installation, se reporter aux caractéristiques techniques.

Ne pas faire passer ou arrêter la charge suspendue au-dessus de personnes ou d'objets.

Ne pas laisser tomber le matériel ou ne pas créer de pression inutile sur l'appareil.

3.2 Installation de l'appareil



Observer les règles suivantes:

- Réserver un accès facile aux commandes et aux connexions de l'appareil.
 - Ne pas installer l'appareil dans des locaux de petites dimensions.
 - Ne jamais placer la machine sur un plan incliné de plus de 10° par rapport à l'horizontale.
 - Installer le matériel dans un endroit sec, propre et avec une aération appropriée.
 - Mettre l'installation à l'abri de la pluie battante et ne pas l'exposer aux rayons du soleil.
- » Consulter le paragraphe « Prévention dans l'emploi de bouteilles de gaz ».

3.3 Branchement et raccordement



Le générateur est doté d'un câble d'alimentation pour le branchement au réseau.

L'appareil peut être alimenté en:

- 115V monophasé
- 230V monophasé

Le fonctionnement de l'appareil est garanti pour des tensions avec une tolérance de $\pm 15\%$ par rapport à la valeur nominale.



Contrôler la tension sélectionnée et les fusibles AVANT de brancher la machine au réseau pour éviter des dommages aux personnes ou à l'installation. Contrôler également si le câble est branché à une prise munie d'un contact de terre.



L'appareil peut être alimenté par groupe électrogène à condition que celui-ci garantisse une tension d'alimentation stable entre $\pm 15\%$ par rapport à la valeur de tension nominale déclarée par le fabricant, dans toutes les conditions de fonctionnement possibles et à la puissance maximale pouvant être fournie par le générateur. Il est généralement conseillé d'utiliser un groupe électrogène dont la puissance est égale à 2 fois celle du générateur s'il est monophasé et à 1.5 fois s'il est triphasé. Il est conseillé d'utiliser un groupe électrogène à contrôle électronique.



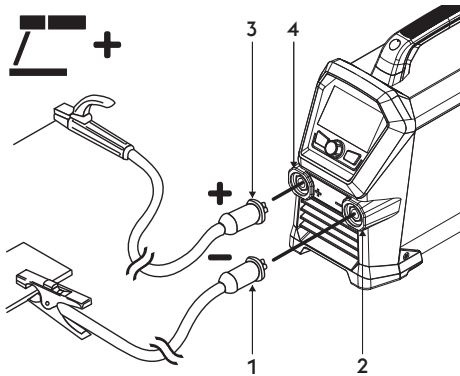
L'installation doit être branchée correctement à la terre pour garantir la sécurité des utilisateurs. Le conducteur (jaune - vert) fourni pour la mise à la terre du câble d'alimentation doit être branché à une fiche munie d'un contact de terre. Ce fil jaune/vert ne doit JAMAIS être utilisé avec d'autres conducteurs de tension. S'assurer que la mise à la terre est bien présente dans l'installation utilisée et vérifier le bon état des prises de courant. Utiliser exclusivement des fiches homologuées conformes aux normes de sécurité.



L'installation électrique doit être réalisée par un personnel technique qualifié, et conformément aux lois du pays dans lequel est effectuée cette opération.

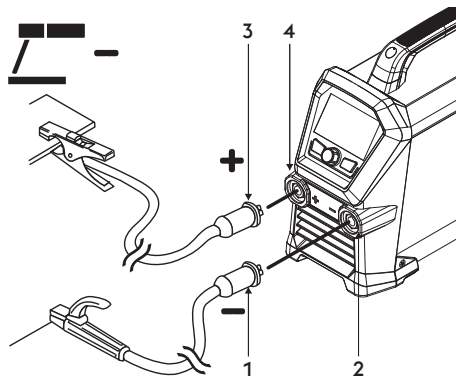
3.4 Mise en service

3.4.1 Raccordement pour le soudage MMA



- 1 Connecteur de pince de terre
- 2 Raccord de puissance négative (-)
- 3 Connecteur de pince porte-électrode
- 4 Raccord de puissance positive (+)

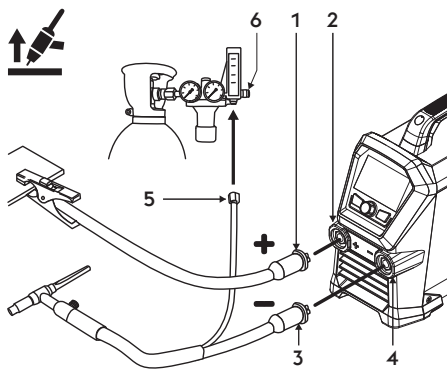
- ▶ Brancher le connecteur du câble de la pince de masse à la prise négative (-) du générateur. Introduire la prise et tourner dans le sens des aiguilles d'une montre jusqu'à ce que les parties soient bien fixées.
- ▶ Brancher le connecteur du câble de la pince porte-électrode à la prise positive(+) du générateur. Introduire la prise et tourner dans le sens des aiguilles d'une montre jusqu'à ce que les parties soient bien fixées.



- 1 Connecteur de pince porte-électrode
- 2 Raccord de puissance négative (-)
- 3 Connecteur de pince de terre
- 4 Raccord de puissance positive (+)

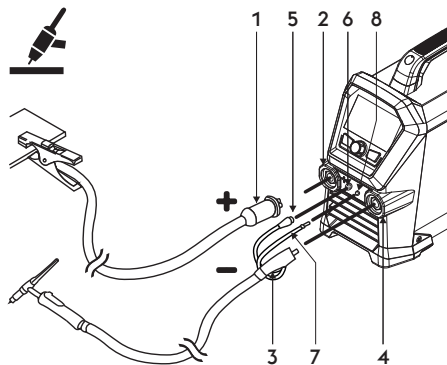
- ▶ Brancher le connecteur du câble de la pince porte-électrode à la prise négative (-) du générateur. Introduire la prise et tourner dans le sens des aiguilles d'une montre jusqu'à ce que les parties soient bien fixées.
- ▶ Brancher le connecteur de câble de la pince de masse à la prise positive (+) du générateur. Introduire la prise et tourner dans le sens des aiguilles d'une montre jusqu'à ce que les parties soient bien fixées.

3.4.2 Raccordement pour le soudage TIG



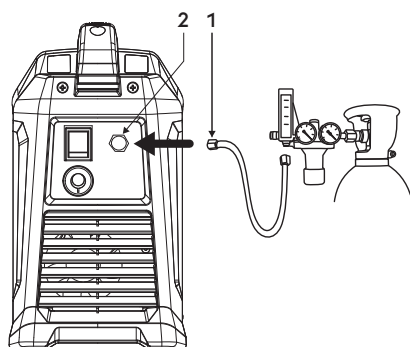
- 1 Connecteur de pince de terre
- 2 Raccord de puissance positive (+)
- 3 Raccord torche TIG
- 4 Raccord de puissance négative (-)
- 5 Connecteur de tuyau de gaz
- 6 Réducteur de pression

- ▶ Brancher le connecteur de câble de la pince de masse à la prise positive (+) du générateur. Introduire la prise et tourner dans le sens des aiguilles d'une montre jusqu'à ce que les parties soient bien fixées.
- ▶ Brancher le raccord de la torche TIG à la prise de la torche du générateur. Introduire la prise et tourner dans le sens des aiguilles d'une montre jusqu'à ce que les parties soient bien fixées.
- ☞ Régler le débit de gaz de protection à l'aide d'un robinet généralement positionné sur la torche.
- ▶ Brancher séparément le connecteur du tuyau de gaz de la torche au réseau de distribution du gaz.



- 1 Connecteur de pince de terre
- 2 Raccord de puissance positive (+)
- 3 Raccord torche TIG
- 4 Prise de torche
- 5 Câble d'interface de torche
- 6 Connecteur
- 7 Tuyau gaz de torche
- 8 Connexion-syndicat

- ▶ Brancher le connecteur de câble de la pince de masse à la prise positive (+) du générateur. Introduire la prise et tourner dans le sens des aiguilles d'une montre jusqu'à ce que les parties soient bien fixées.
- ▶ Brancher le connecteur de la torche TIG à la prise négative (-) du générateur. Introduire la prise et tourner dans le sens des aiguilles d'une montre jusqu'à ce que les parties soient bien fixées.
- ▶ Connecter le câble d'interface de torche au connecteur approprié.
- ▶ Conecte el tubo de gas de la antorcha a la conexión/uni6n apropiada.

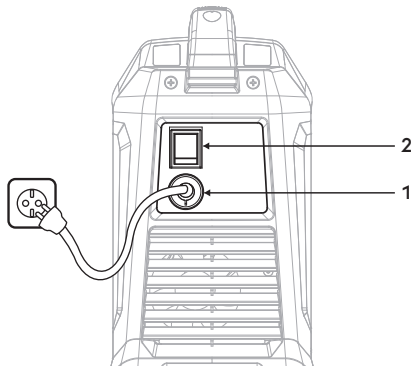


- 1 Tuyau gaz
- 2 Raccord arrière du gaz

- ▶ Relier le tuyau du gaz provenant de la bouteille au raccord arrière du gaz. Régler le débit du gaz de 5 à 15 l/min.

4. PRÉSENTATION DE L'APPAREIL

4.1 Panneau arrière

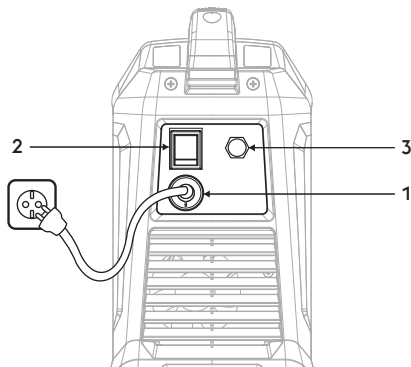


1 Câble d'alimentation

Il permet d'alimenter l'installation en la branchant au secteur.

2 Interrupteur Marche/arrêt

Commande l'allumage électrique du système. Il a deux positions, "O" éteint, "I" allumé.



1 Câble d'alimentation

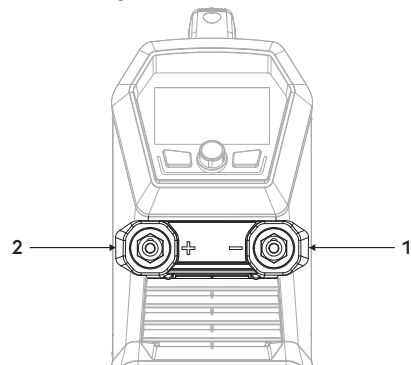
Il permet d'alimenter l'installation en la branchant au secteur.

2 Interrupteur Marche/arrêt

Commande l'allumage électrique du système. Il a deux positions, "O" éteint, "I" allumé.

3 Raccord gaz

4.2 Panneau prises

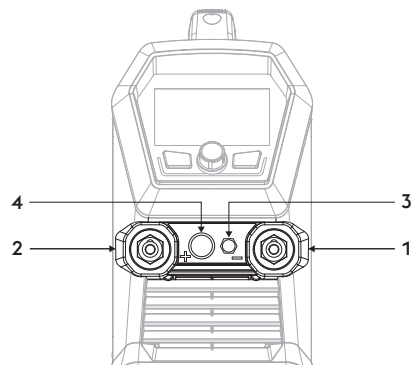


1 Raccord de puissance négative (-)

Processus MMA: Connexion câble de masse
Processus TIG: Connexion de la torche

2 Raccord de puissance positive (+)

Processus MMA: Connexion torche d'électrode
Processus TIG: Connexion câble de masse



1 Raccord de puissance négative (-)

Processus MMA: Connexion câble de masse
Processus TIG: Connexion de la torche

2 Raccord de puissance positive (+)

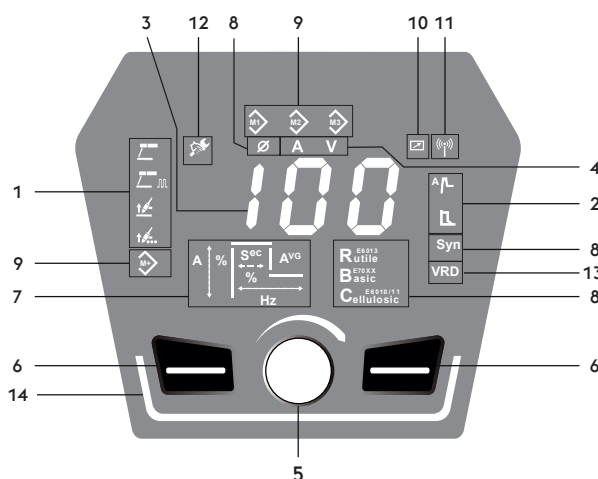
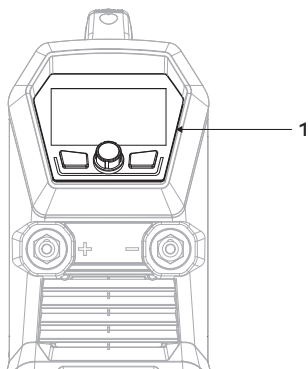
Processus MMA: Connexion torche d'électrode
Processus TIG: Connexion câble de masse

3 Raccord gaz

4 Branchement du bouton torche

4.3 Panneau de commande frontal

1 Panneau de commande frontal



- 1 **Selector del proceso de soldadura**
 Permet la sélection de programmes de soudage.
- Procédé de soudage MMA
 - Procédé de soudage MMA Pulsé
 - Procédé de soudage TIG LIFT
 - Procédé de soudage TIG LIFT Pointage

- 2 **Fonctions**
 Permet la sélection des diverses fonctions du système:
- Surintensité à l'amorçage
 - Arc force

- 3 **888 Affichage des données**
 Permet l'affichage des différents paramètres de soudage lors de la mise en route, des réglages, la lecture de l'intensité et de la tension pendant le soudage, ainsi que la codification des défauts.

- 4 **Selector de medidas**
 Permite visualizar le courant ou la tension de soudage réel sur l'écran.
- A** Ampères
 - V** Voltios

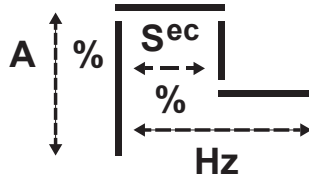
- 5 **Bouton de réglage principal**
 Permet le réglage permanent du courant de soudage.

6  **Touches de fonction**

Permet la sélection des diverses fonctions du système:

7 **Paramètres de soudage**

Le cycle de soudage représenté sur le panneau frontal permet la sélection et le réglage des paramètres de soudage.



8 **Syn** Synergie du type de matériau

Permet de sélectionner le mode de soudage souhaité.

 Synergie du diamètre des électrodes

R^{E6013}
utile

B^{E70XX}
asic

C^{E6010/11}
ellulosic

9  **Programmation**

Permet l'enregistrement et la gestion de 3 job qui peuvent être personnalisés par l'opérateur.

10  **Dispositifs externes (RC)**

11  **Dispositifs externes (wireless)**

12  **Alarme entretien**

13 **VRD** VRD (Voltage Reduction Device)

Dispositif de réduction de la tension à vide

Permet de réduire la tension de sortie dans les limites fixées par les réglementations relatives à l'utilisation dans des lieux contraignants.

Fonction active (Vert)

Par défaut: OFF (icône éteinte)

Contactez le service après-vente pour demander les instructions d'activation (eq-service@voestalpine.com).

14 **Barres LED**



Système en veille (Blanc)

Système en marche et arc amorcé (Vert)

Système en alarme erreur (Rouge)

Système en alerte (Orange) (=25% facteur de marche restant)

Système en configuration sans fil (Bleu)

5. UTILISATION DE L'INSTALLATION

5.1 Ecran principal



Ecran principal

1. Symbole du mode de soudage
 - Procédé sélectionné (Vert).
 - Procédé disponible (Blanc).
 2. Symbole de la fonction
 - Fonction activée (Blanc).
 - Sélection et réglage du paramètre désiré (Vert.)
 3. Selector del proceso de soldadura.
 4. Permettent le réglage les paramètres de soudage. (appuyer pour faire défiler et sélectionner les paramètres à régler).
- Il permet de régler le courant de soudage. (tourner pour modifier la valeur).

5.2 Écran principal du procédé MMA



Sélection du procédé de soudage

1. Sélectionner le procédé souhaité en appuyant sur le bouton.
 2. Procédé sélectionné (Vert).
 3. Symbole de la fonction
 - Fonction activée (Blanc).
 - Sélection et réglage du paramètre désiré (Vert.)
 4. Permettent le réglage les paramètres de soudage. (appuyer pour faire défiler et sélectionner les paramètres à régler).
- Il permet de régler le courant de soudage. (tourner pour modifier la valeur).

Courant de soudage

Minimum	Maximum	Réglage par défaut
20 A	I _{max}	100 A

Paramétrage des paramètres: Hot start

1. Sélectionner le paramètre choisi en appuyant sur le bouton de réglage.
2. Fonction sélectionnée pour le réglage des paramètres (Vert).
3. Régler la valeur du paramètre sélectionné en tournant le potentiomètre.

Paramètres de soudage

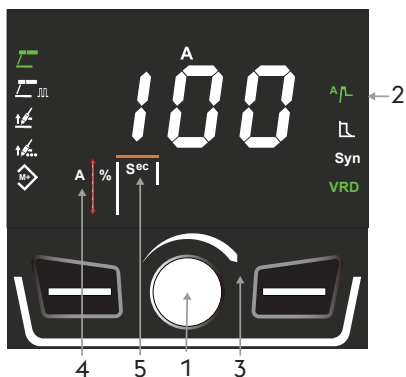
4. Courant de départ.
5. Temps de démarrage.

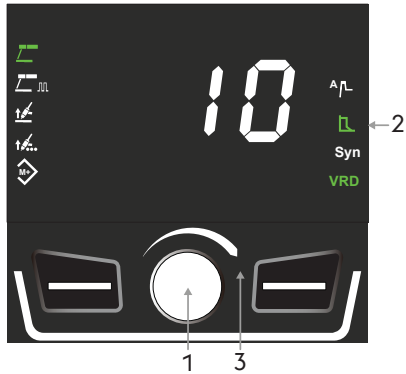
Courant de départ

Minimum	Maximum	Réglage par défaut
50%	200%	120%

Temps de démarrage

Minimum	Maximum	Réglage par défaut
0s	3s	0.5s





Paramétrage des paramètres: Arc force

1. Sélectionner le paramètre choisi en appuyant sur le bouton de réglage.
2. Fonction sélectionnée pour le réglage des paramètres (Vert).
3. Régler la valeur du paramètre sélectionné en tournant le potentiomètre.

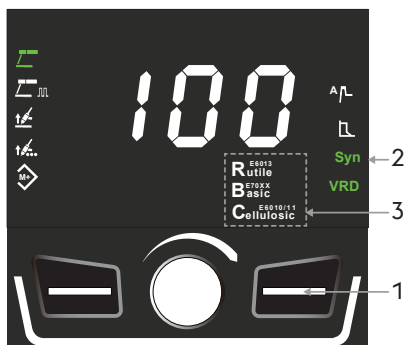
Paramètres de soudage

Arc force

Minimum	Maximum	Réglage par défaut
-10	+10	0

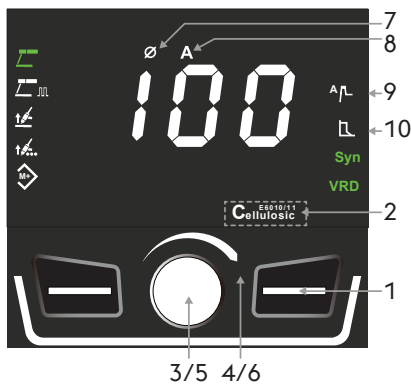
5.3 Sélection des paramètres de synergie

Fonctionnalité disponible uniquement avec le procédé MMA.



Activation synergie

1. Maintenir le bouton enfoncé pendant 3 secondes pour activer les fonctions de synergie.
2. Fonction activée (Vert).
3. Synergies (Blanc).



Paramétrage des paramètres

1. Sélectionner l'électrode souhaitée en appuyant sur la touche
 - Ø: sélection du diamètre actif.
 - Sélectionner le diamètre souhaité en tournant l'encodeur.
 - Après 3 secondes, le réglage du courant de soudage est à nouveau disponible.
2. Sélectionner le programme désiré par une pression sur la touche..
3. Synergie
4. Sélectionner le paramètre du diamètre de l'électrode en appuyant sur la touche de l'encodeur.
5. Sélectionner une valeur du diamètre de l'électrode en tournant l'encodeur.
 - Une présélection de valeurs de paramètres de soudage est automatiquement chargée.

Les paramètres de soudage peuvent être ajustés:

6. Activer le réglage du paramètre souhaité en appuyant sur la touche de l'encodeur.
7. Régler la valeur du paramètre sélectionné en tournant le potentiomètre.

Paramètres de soudage

8. Synergie du diamètre des électrodes.
9. Courant de soudage.
10. Hot start.
11. Arc force.

Électrode rutilé

Diamètre	Courant de soudage	Surintensité à l'amorçage	Arc force
2.0	40A	100% 0s	-5
2.5	60A	100% 0s	-5
3.2	100A	100% 0s	-5
4.0	135A	100% 0s	-5

Tableau des valeurs par défaut

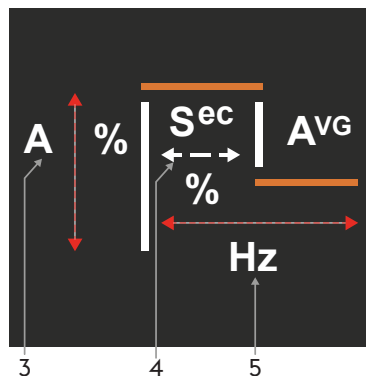
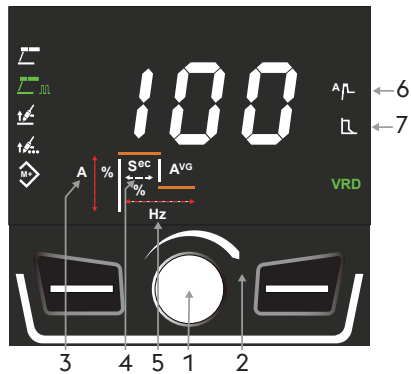
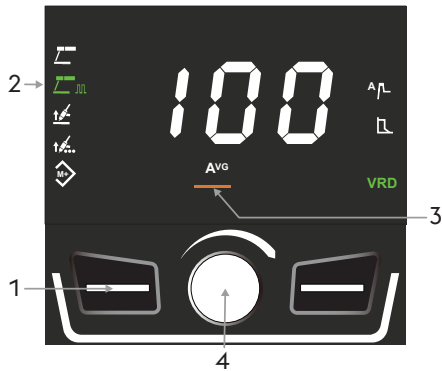
Électrode basique

Diamètre	Courant de soudage	Surintensité à l'amorçage	Arc force
2.0	65A	120% 0,5s	3
2.5	90A	120% 0,5s	3
3.2	130A	120% 0,5s	3
4.0	160A	120% 0,5s	3

Électrode cellulosique

Diamètre	Courant de soudage	Surintensité à l'amorçage	Arc force
2.0	55A	120% 0,5s	7
2.5	75A	120% 0,5s	7
3.2	110A	120% 0,5s	7
4.0	130A	120% 0,5s	7

5.4 Écran principal du procédé MMA Pulsé



Sélection du procédé de soudage

1. Sélectionner le procédé souhaité en appuyant sur le bouton.
2. Procédé sélectionné (Vert).
3. Courant de soudage (valeur moyenne).
4. Il permet de régler le courant de soudage.

Courant de soudage

Minimum	Maximum	Réglage par défaut
20 A	I _{max}	100 A

Paramétrage des paramètres

1. Activer le réglage du paramètre sélectionné par une pression sur le bouton de réglage.
2. Régler la valeur du paramètre sélectionné en tournant le potentiomètre.

Paramètres de soudage

3. Courant de pulsation.
4. Duty cycle.
5. Fréquence de pulsation.
6. Hot start.
7. Arc force.

Courant de pulsation

Minimum	Maximum	Réglage par défaut
100%	260%	140%

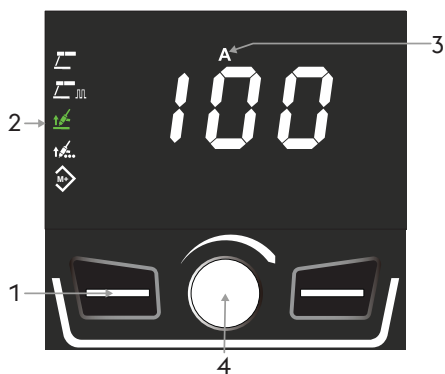
Duty cycle

Minimum	Maximum	Réglage par défaut
10%	90%	50%

Fréquence de pulsation

Minimum	Maximum	Réglage par défaut
0.2Hz	5Hz	0.2Hz

5.5 Écran principal du procédé TIG Lift



Sélection du procédé de soudage

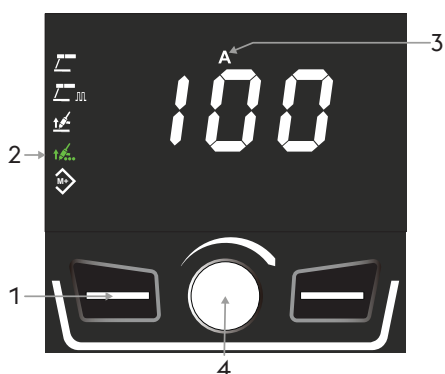
1. Sélectionner le procédé souhaité en appuyant sur le bouton.
2. Procédé sélectionné (Vert).
3. Courant de soudage.
4. Il permet de régler le courant de soudage.

Courant de soudage

Minimum	Maximum	Réglage par défaut
10 A	I _{max}	100 A

☞ Pour le réglage des paramètres, voir le chapitre configuration.

5.6 Écran principal du procédé TIG LIFT Pointage



Sélection du procédé de soudage

1. Sélectionner le procédé souhaité en appuyant sur le bouton.
2. Procédé sélectionné (Vert).
3. Courant de soudage.
4. Il permet de régler le courant de soudage.

Courant de soudage

Minimum	Maximum	Réglage par défaut
10 A	I _{max}	100 A

Paramétrage des paramètres

1. Activer le réglage du paramètre sélectionné par une pression sur le bouton de réglage.
2. Régler la valeur du paramètre sélectionné en tournant le potentiomètre.

Paramètres de soudage

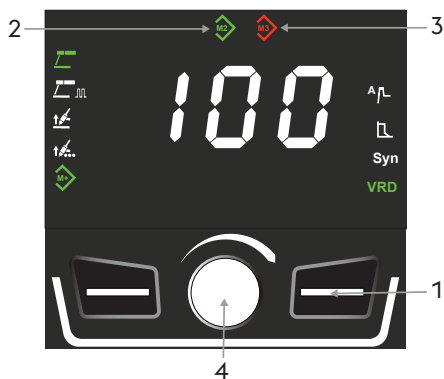
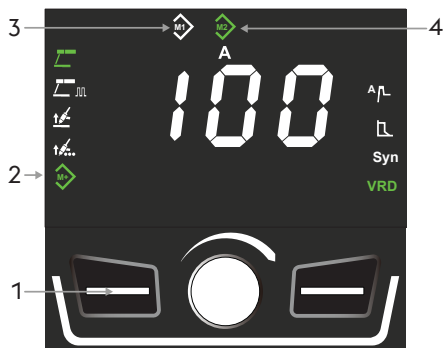
3. Temps de soudage.

Temps de soudage

Minimum	Maximum	Réglage par défaut
0s	60s	0,5s

☞ Pour le réglage des paramètres, voir le chapitre configuration.

5.7 Ecran de programmes (JOB POINT)



Écran principal

1. Maintenir le bouton enfoncé pendant 3 secondes.
2. Fonction activée (Vert).
3. Mémoire vide (Blanc).
4. Programme enregistré (Vert).

Programmation

1. Sélectionner l'emplacement de mémoire souhaité en appuyant sur la touche.
2. Mémoire vide (Blanc).
3. Pour mémoriser les paramètres de soudage, appuyer sur la touche de l'encodeur (3 secondes). La couleur de l'icône de l'emplacement de la mémoire passe du blanc au vert.

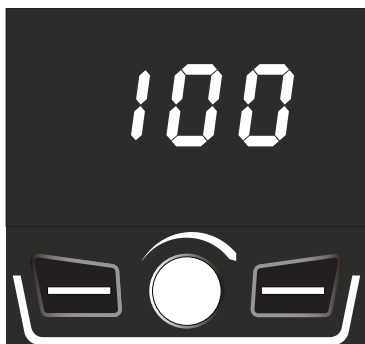
Rappel de programme

1. Sélectionner le programme désiré par une pression sur la touche..
2. Programme enregistré (Vert).
3. La modification des paramètres de soudage ou la variation du processus de soudage est signalée par le changement de couleur de l'icône de l'emplacement de la mémoire, qui devient rouge.
4. Appuyer sur la touche de l'encodeur jusqu'à ce que l'icône de l'emplacement redevienne verte pour restaurer les paramètres initiaux enregistrés (3 secondes).

Suppression du programme

1. Sélectionner le programme désiré par une pression sur la touche..
2. Programme enregistré (Vert).
3. Supprimer le job en appuyant sur la touche de l'encodeur jusqu'à ce que l'icône de l'emplacement devienne blanche (3 secondes.)

5.8 Barre LED



Barre LED lumière blanche

- ▶ Indique la présence de tension sur les prises de sortie du système.
- ▶ Système prêt à souder.



Barre LED lumière verte

- ▶ Indique que le système est allumé et que l'arc est amorcé.



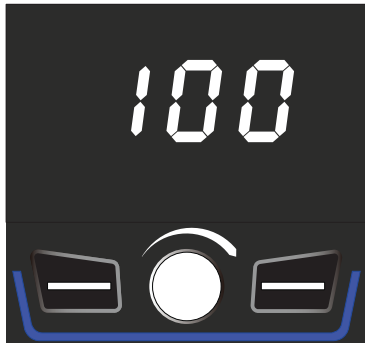
Barre LED lumière rouge

- ▶ Indique l'intervention possible des systèmes de protection, tels que la protection thermique..



Barre LED lumière orange

- ▶ Indique que le système de soudage a atteint 75 % de son cycle de travail.
- ☞ Il est recommandé d'interrompre momentanément le soudage afin d'éviter de déclencher l'alarme thermique du système.



Barre LED lumière bleue


- ▶ Indique que le système est connecté à un dispositif sans fil.

5.9 Maintenance adaptative



Maintenance adaptative

- ▶ Indique que le système a déjà fonctionné avec l'arc allumé pendant un nombre d'heures approprié.

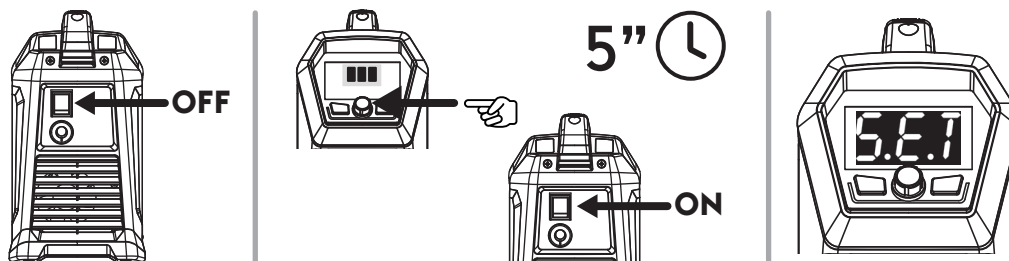
 Il est recommandé d'effectuer la maintenance préventive.

Consulter le paragraphe «Menu setup» dans le manuel de votre générateur.

6. MENU SET UP

Il permet de saisir et de régler toute une série de paramètres supplémentaires pour une gestion plus précise du système de soudage.

Entrée dans le menu set up



- ▶ Mettre le générateur hors tension en plaçant le levier de l'interrupteur sur « 0 ».
- ▶ Mettre le générateur sous tension en maintenant la touche de l'encodeur enfoncée.
- ▶ Maintenir la touche de l'encodeur enfoncée pendant 5 secondes.
- ▶ L'entrée sera confirmée par la mention SEt sur l'écran.

Sélection et réglage du paramètre désiré

- ▶ Tourner le potentiomètre pour afficher le code numérique relatif au paramètre désiré.
- ▶ Le fait d'appuyer sur le potentiomètre permet alors d'afficher la valeur saisie pour le paramètre sélectionné et le réglage correspondant.

Sortie du menu set up

- ▶ Pour quitter la configuration, appuyer sur la touche de l'encodeur pendant 5 secondes.

6.9.1 Liste des paramètres de configuration (TIG)

Pog Post gaz

Il permet de régler l'arrivée du gaz en fin de soudage.

Minimum	Maximum	Réglage par défaut
0 s	20.0 s	6.0 s

A1 Courant initial (%-A)

Permet le réglage du courant de départ de la soudure.

Permet d'obtenir un bain de soudage plus chaud ou plus froid immédiatement après l'amorçage de l'arc.

Minimum	Maximum	Réglage par défaut
10 %	200 %	25 %

t1 Temps de courant initial

Permet le réglage du temps durant lequel le courant initial est maintenu.

Minimum	Maximum	Réglage par défaut
0 s	10 s	0.2 s

t uP Rampe de montée

Elle permet de passer graduellement du courant initial au courant de soudage.

Minimum	Maximum	Réglage par défaut
0 s	10.0 s	0.5 s

t dn Evanouissement

Elle permet de passer graduellement du courant de soudage au courant final.

Minimum	Maximum	Réglage par défaut
0s	3s	0.5s

A2 Courant final (%-A)

Il permet de régler le courant final.

Minimum	Maximum	Réglage par défaut
10 %	200 %	25 %

t2 Temps de courant final


Permet de régler le temps durant lequel le courant final est maintenu.

Minimum	Maximum	Réglage par défaut
0 s	10.0 s	0.2 s

SPo Soudage par point

Permet l'accès au mode « soudage par point » et le réglage de la durée du point.
Permet le minutage du procédé de soudage.


AcT toujours actif

 Description du fonctionnement avec l'électrovanne de gaz.

En cas d'utilisation d'un modèle avec un robinet de gaz externe, la vanne de gaz doit être ouverte manuellement.

- ▶ Toucher la pièce à souder avec l'électrode pour démarrer la phase de pré-gaz.
- ▶ Amorçage de l'arc en mode Lift. L'amorçage de l'arc se fait en soulevant la torche de la pièce.
- ▶ L'arc reste actif pendant la durée programmée.

2T 2 Temps

 Description du fonctionnement avec l'électrovanne de gaz.

En cas d'utilisation d'un modèle avec un robinet de gaz externe, la vanne de gaz doit être ouverte manuellement.

- ▶ Toucher la pièce à souder avec l'électrode.
- ▶ En appuyant sur le bouton de la torche, on obtient le pré-gaz.
- ▶ Amorçage de l'arc en mode Lift. L'amorçage de l'arc se fait en soulevant la torche de la pièce.
- ▶ L'arc reste actif pendant la durée programmée.

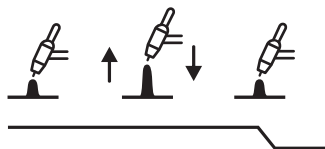
Minimum	Maximum	Réglage par défaut
0.1 s	60.0 s	0.5 s


t r t Trigger Tig**AcT toujours actif**

 Description du fonctionnement avec l'électrovanne de gaz.

En cas d'utilisation d'un modèle avec un robinet de gaz externe, la vanne de gaz doit être ouverte manuellement.

- ▶ Toucher la pièce à souder avec l'électrode pour démarrer la phase de pré-gaz.
- ▶ Amorçage de l'arc en mode Lift. L'amorçage de l'arc se fait en soulevant la torche de la pièce.
- ▶ En effectuant un mouvement de la torche, l'arc s'éteint tandis que le gaz continue à circuler pendant le temps post-gaz.

**2T 2 Temps**

 Description du fonctionnement avec l'électrovanne de gaz.

En cas d'utilisation d'un modèle avec un robinet de gaz externe, la vanne de gaz doit être ouverte manuellement.

- ▶ Toucher la pièce à souder avec l'électrode.
- ▶ En appuyant sur le bouton de la torche, on obtient le pré-gaz.
- ▶ Amorçage de l'arc en mode Lift. L'amorçage de l'arc se fait en soulevant la torche de la pièce.
- ▶ Réglages des paramètres: Ampères (A) - Pourcentages (%).

4T 4 Temps

 Description du fonctionnement avec l'électrovanne de gaz.

En cas d'utilisation d'un modèle avec un robinet de gaz externe, la vanne de gaz doit être ouverte manuellement.

- ▶ Toucher la pièce à souder avec l'électrode.
- ▶ Appuyer sur le bouton de la torche pour démarrer la phase de pré-gaz.
- ▶ Amorçage de l'arc en mode Lift. L'amorçage de l'arc selon les dynamiques prédéfinies se fait en soulevant la torche de la pièce. L'arc reste actif lorsque le bouton de la torche est relâché.
- ▶ Relâcher le bouton avant la fin de la dynamique entraîne l'extinction immédiate de l'arc.
- ▶ La seconde pression sur le bouton provoque l'extinction de l'arc avec la dynamique d'extinction de l'arc, tandis que le gaz continue de circuler pendant le temps post-gaz.
- ▶ Relâcher le bouton avant la fin des séquences d'extinction provoque l'extinction immédiate de l'arc.

6.9.2 Liste des paramètres de configuration (configuration de l'unité)**di5 Type de mesure**

Permet de régler la lecture du courant de soudage ou de la tension sur l'écran.

Had Hold Last Parameter

S'il est actif, les valeurs des derniers paramètres de soudage seront affichées sur l'écran pendant cinq secondes après l'extinction de l'arc.

Fn Menu de configuration du système

Permet d'accéder au menu de configuration du système.

- ▶ Appuyer sur la touche de l'encodeur pour accéder au sous-menu.
- ▶ Tourner l'encodeur pour sélectionner la configuration souhaitée.
- ▶ Appuyer sur la touche de l'encodeur pour confirmer.
- ▶ Configurations disponibles ci-dessous.

- F1 Configuration de l'installation**
Configuration de l'installation: F1
- Procédé de soudage MMA
 - Procédé de soudage TIG LIFT
 - Fonction activée: Hot start
 - Fonction activée: Arc force
- F2 Configuration de l'installation**
Configuration de l'installation: F2
- Procédé de soudage MMA
 - Procédé de soudage TIG LIFT
 - Procédé de soudage TIG LIFT Pointage
 - Fonction activée: Hot start
 - Fonction activée: Arc force
- F3 Configuration de l'installation**
Configuration de l'installation: F3
- Procédé de soudage MMA
 - Procédé de soudage TIG LIFT
 - Procédé de soudage TIG LIFT Pointage
 - Fonction activée: Hot start
 - Fonction activée: Arc force
 - Fonction activée: Synergies
- F4 Configuration de l'installation**
Configuration de l'installation: F4
- Procédé de soudage MMA
 - Procédé de soudage MMA Pulsé
 - Procédé de soudage TIG LIFT
 - Procédé de soudage TIG LIFT Pointage
 - Fonction activée: Hot start
 - Fonction activée: Arc force
 - Fonction activée: Synergies
- F5 Configuration de l'installation**
Configuration de l'installation: F5
- Procédé de soudage MMA
 - Procédé de soudage MMA Pulsé
 - Procédé de soudage TIG LIFT
 - Procédé de soudage TIG LIFT Pointage
 - Fonction activée: Hot start
 - Fonction activée: Arc force
 - Fonction activée: Programmes (JOB POINT)
 - Fonction activée: Synergies

SLP Sleep

S'il est actif, la machine passe en mode arrêt après le temps d'inactivité sélectionné (en secondes). Choisir une valeur de temps comprise dans la plage

Valor	Temps d'arrêt
OFF	Non actif
180	180s
300	300s
600	600s
900	900s

Se r Maintenance adaptative

S'il est actif, l'illumination du symbole d'entretien sur l'écran indique qu'il est conseillé d'effectuer l'entretien.

Consulter le paragraphe «Menu setup» dans le manuel de votre générateur.

Valor	Función
OFF	Non actif
ON	Actif
RST	Réinitialisation (reset)

rSt Réinitialisation (reset)

Cette touche permet de ramener tous les paramètres à la valeur par défaut.

- ▶ Appuyer sur la touche de l'encodeur pour lancer la procédure.
- ▶ Positionner l'encodeur sur la valeur: ON
- ▶ Appuyer sur la touche de fonction droite pendant 5 secondes.

7. ENTRETIEN



Effectuer l'entretien courant de l'installation selon les indications du constructeur. Toutes les portes d'accès et de service et les couvercles doivent être fermés et bien fixés lorsque l'appareil est en marche. L'installation ne doit absolument pas être modifiée. Eviter l'accumulation de poussière métallique à proximité et sur les grilles d'aération.



Toute opération éventuelle de maintenance doit exclusivement être effectuée par du personnel qualifié. La réparation ou le remplacement de pièces de la part de personnel non autorisé implique l'annulation immédiate de la garantie du produit. La réparation ou le remplacement de pièces doit exclusivement être effectué par du personnel technique qualifié.



Couper l'alimentation électrique de l'installation avant toute intervention!

7.1 Contrôles périodiques sur le générateur

7.1.1 Système



Effectuer le nettoyage interne avec de l'air comprimé à basse pression et des brosses souples. Contrôler les connexions électriques et tous les câbles de branchement.

7.1.2 Pour la maintenance ou le remplacement des composants des torches, de la pince porte-électrode et/ou des câbles de masse:



Contrôler la température des composants et s'assurer qu'ils ne sont pas trop chauds.



Toujours porter des gants conformes aux normes.



Utiliser des clefs et des outils adéquats.

7.2 Responsabilité



Le constructeur décline toute responsabilité si l'opérateur ne respecte pas ces instructions. Le constructeur décline toute responsabilité si l'opérateur ne respecte pas ces instructions. En cas de doute et/ou de problème, n'hésitez pas à consulter le dépanneur agréé le plus proche.

8. CODES D'ALARMES



ALARME






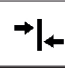



L'intervention d'une alarme ou le dépassement d'un seuil critique de protection entraîne une signalisation visuelle sur le panneau de commande et le blocage immédiat des opérations de soudage.



ATTENTION

Le dépassement d'un seuil de protection entraîne une signalisation visuelle sur le panneau de commande, mais permet de poursuivre les opérations de soudage.

Ci-dessous figure la liste de toutes les alarmes et de tous les seuils critiques de protection du système.

 E01	Surtempérature		 E05	Surintensité	
 E13	Erreur de communication		 E36	Bouton de la torche enfoncé pendant l'allumage du système	
 E50	Fil collé (Automatisation et robotique)				

9. DIAGNOSTIC ET SOLUTIONS

Le système ne s'allume pas

Cause	Solution
» Pas de tension de réseau au niveau de la prise d'alimentation.	<ul style="list-style-type: none"> » Effectuer une vérification et procéder à la réparation de l'installation électrique. » S'adresser à un personnel spécialisé.
» Connecteur ou câble d'alimentation défectueux.	<ul style="list-style-type: none"> » Remplacer le composant endommagé. » S'adresser service après-vente le plus proche pour la réparation de l'installation.
» Fusible grillé.	<ul style="list-style-type: none"> » Remplacer le composant endommagé.
» Interrupteur marche/arrêt défectueux.	<ul style="list-style-type: none"> » Remplacer le composant endommagé. » S'adresser service après-vente le plus proche pour la réparation de l'installation.
» Installation électronique défectueuse.	<ul style="list-style-type: none"> » S'adresser service après-vente le plus proche pour la réparation de l'installation.

Absence de puissance à la sortie (l'installation ne soude pas)

Cause	Solution
» Gâchette de torche défectueux.	<ul style="list-style-type: none"> » Remplacer le composant endommagé. » S'adresser service après-vente le plus proche pour la réparation de l'installation.
» Système en surchauffe (alarme thermique - barre LED rouge).	<ul style="list-style-type: none"> » Attendre que le système refroidisse sans éteindre l'installation.
» Connexion à la masse incorrecte.	<ul style="list-style-type: none"> » Procéder à la connexion correcte à la masse. » Consulter le paragraphe "Mise en service".
» Installation électronique défectueuse. (Système en veille - barre LED blanche)	<ul style="list-style-type: none"> » S'adresser service après-vente le plus proche pour la réparation de l'installation.

Courant de sortie incorrect

Cause	Solution
» Sélection erronée du mode de soudage ou sélecteur défectueux.	<ul style="list-style-type: none"> » Procéder à la sélection correcte du mode de soudage.
» Réglages erronés des paramètres et des fonctions de l'installation.	<ul style="list-style-type: none"> » Réinitialiser l'installation et régler de nouveau les paramètres de soudage.
» Potentiomètre d'interface du réglage du courant de soudage défectueux.	<ul style="list-style-type: none"> » Remplacer le composant endommagé. » S'adresser service après-vente le plus proche pour la réparation de l'installation.
» Tension de réseau hors plage.	<ul style="list-style-type: none"> » Effectuer le raccordement correct de l'installation. » Consulter le paragraphe "Raccordement".
» Installation électronique défectueuse.	<ul style="list-style-type: none"> » S'adresser service après-vente le plus proche pour la réparation de l'installation.

10. MODE D'EMPLOI

10.1 Soudage à l'électrode enrobée (MMA)

Préparation des bords

Pour obtenir une bonne soudure, il est toujours conseillé de travailler sur des pièces propres, sans oxydation, ni rouille ou autre agent contaminant.

Choix de l'électrode

Le diamètre de l'électrode à utiliser dépend de l'épaisseur de la pièce, de la position, du type de joint et du type de préparation de la pièce à souder.

Les électrodes de gros diamètre ont besoin d'intensité et de températures plus élevées pendant le soudage.

Type d'enrobage	Propriétés	Utilisation
Rutile	Facilité d'emploi	Toutes positions
Acide	Vitesse de fusion élevée	Plat
Basique	Caract. mécaniques	Toutes positions
Cellulosique	Plus grande pénétration	Toutes positions

Choix du courant de soudage

La gamme du courant de soudage relative au type d'électrode utilisé est spécifiée sur le boîtier des électrodes.

Amorçage et maintien de l'arc

On amorce l'arc électrique en frottant la pointe de l'électrode sur la pièce à souder connectée à un câble de masse, et une fois que l'arc a jailli, retirer la baguette rapidement jusqu'à la distance de soudage normale.

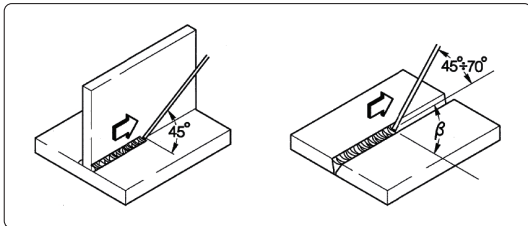
En général une surintensité de l'intensité par rapport l'intensité initiale du soudage (Hot-Start) est utile pour améliorer l'amorçage de l'arc.

Après l'amorçage de l'arc, la fusion de la partie centrale de l'électrode commence; celle-ci se dépose sur la pièce à souder sous forme de gouttes.

L'enrobage extérieur de l'électrode consommée fournit le gaz de protection pour la soudure, assurant ainsi une bonne qualité de soudure.

Pour éviter que les gouttes fondues éteignent l'arc en court-circuitant et collant l'électrode sur le cordon, par un rapprochement accidentel entre les deux éléments, une augmentation momentanée de l'intensité de soudage est produite jusqu'à la fin du court-circuit (Arc Force).

Réduire le courant de court-circuit au minimum (anti-collage) si l'électrode reste collée à la pièce à souder.



Exécution de la soudure

L'angle d'inclinaison de l'électrode varie en fonction du nombre de passes, le mouvement de l'électrode est normalement exécuté par oscillations et arrêts sur les bords du cordon de façon à éviter une accumulation excessive de dépôt au centre.

Nettoyage des scories

Le soudage par électrodes enrobées implique obligatoirement le prélèvement des scories après chaque passe. Le nettoyage se fait à l'aide d'un petit marteau ou d'une brosse métallique en cas de scories friables.

10.2 Soudage TIG (arc en soudure continue)

Description

Les principes du mode de soudage TIG (Tungsten Inert Gas) est basé sur un arc électrique qui jaillit entre une électrode infusible (tungstène pur ou alliage, température de fusion à environ 3370°C) et la pièce. Une atmosphère de gaz inerte (argon) protège le bain.

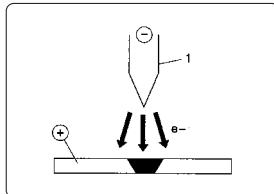
Afin d'éviter des inclusions de tungstène dangereuses dans la soudure, l'électrode ne doit jamais toucher la pièce à souder, et c'est pour cela qu'on génère une décharge à l'aide d'un générateur HF, ce qui permet d'amorcer l'arc électrique à distance.

Il existe un autre type d'amorçage, avec des inclusions de tungstène en faible quantité: l'amorçage au contact (lift arc) qui ne prévoit pas une haute fréquence mais seulement un court-circuit à faible intensité entre l'électrode et la pièce; en éloignant l'électrode l'arc s'amorcera et l'intensité augmentera jusqu'à atteindre la valeur de soudage programmée.

Pour améliorer la qualité de la fin du cordon de soudure, il est utile de pouvoir vérifier avec précision l'évanouissement de l'intensité. Le gaz doit continuer à sortir sur le bain de soudure pendant quelques secondes après l'extinction de l'arc.

Dans de nombreuses conditions opérationnelles, il est utile de disposer de 2 intensités de soudage préprogrammées et de pouvoir passer facilement de l'une à l'autre (BILEVEL, 4 temps à 2 niveaux).

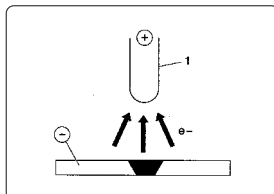
Polarité du soudage



D.C.S.P. (Direct Current Straight Polarity)

Il s'agit de la polarité la plus utilisée (polarité directe ou normale), permettant une usure limitée de l'électrode (1) du fait que 70% de la chaleur se concentre sur l'anode (pièce).

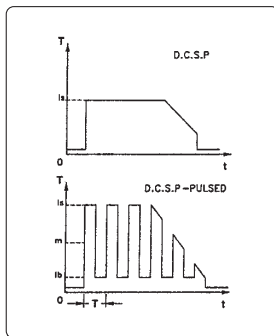
On obtient des bords étroits et profonds avec de grandes vitesses d'avance et donc un apport thermique peu élevé.



D.C.R.P. (Direct Current Reverse Polarity)

La polarité est inverse et cela permet de souder des alliages recouverts par une couche d'oxyde réfractaire avec une température de fusion supérieure à celle du métal.

On ne peut cependant pas employer des courants élevés car ils seraient la cause d'une usure importante de l'électrode.



D.C.S.P.-Pulsed (Direct Current Straight Polarity Pulsed)

L'adoption d'un courant continu pulsé permet de mieux contrôler le bain de soudure, en des conditions d'exploitation spéciales.

Le bain de soudure se forme suite aux impulsions de crête (I_p), tandis que le courant de base (I_b) maintient l'arc allumé. Ce procédé facilite le soudage des faibles épaisseurs en obtenant des résultats de soudure avec moindres déformations, un meilleur facteur de marche et par conséquent un danger de fissures chaudes et d'inclusions gazeuses réduit.

Quand on augmente la fréquence (moyenne fréquence), on obtient un arc plus étroit, plus concentré et plus stable, et par la suite une plus grande qualité de la soudure des épaisseurs faibles.

Caractéristiques du soudage TIG

Le procédé TIG est très efficace pour souder de l'acier au carbone ou des alliages, pour la première passe sur les tubes et pour les soudures qui doivent avoir un aspect esthétique parfait.

La polarité directe (D.C.S.P.) est nécessaire dans ce cas.

Préparation des bords

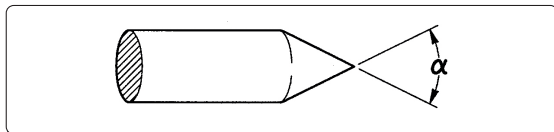
Le procédé impose un nettoyage parfait des bords et une préparation soignée.

Choix et préparation de l'électrode

Il est conseillé d'utiliser des électrodes au cérium ou au lanthane, bien des électrodes d'oxydes de terres rares mixtes avec les diamètres suivants:

Gamme de courant			Électrode	
(DC-)	(DC+)	(AC)	Ø	α
3-20 A	-	3-20 A	0,5 mm	30°
15-80 A	-	20-30 A	1,0 mm	30-60°
70-150 A	10-20 A	30-80 A	1,6 mm	60-90°
150-250 A	15-30 A	60-130 A	2,4 mm	90-120°
250-400 A	25-40 A	100-180 A	3,2 mm	120-150°
400-500 A	40-55 A	160-240 A	4,0 mm	150-180°
500-750 A	55-80 A	190-300 A	4,8 mm	150-180°
750-1100 A	80-125 A	325-450 A	6,4 mm	150-180°

L'électrode doit être affûtée comme indiqué sur le schéma.



Métal d'apport

Les baguettes d'apport doivent avoir des propriétés mécaniques identiques à celles du matériau de base.

Il est déconseillé d'utiliser des chutes provenant pièce à souder car elles peuvent contenir des impuretés dues à la manipulation et compromettre le soudage.

Gaz de protection

On utilise presque toujours l'Argon pur (99,99%).

Gamme de courant			Gaz	
(DC-)	(DC+)	(AC)	Buse	Flux
3-20 A	-	3-20 A	n° 4	5-6 l/min
15-80 A	-	20-30 A	n° 5	6-8 l/min
70-150 A	10-20 A	30-80 A	n° 6	7-10 l/min
150-250 A	15-30 A	60-130 A	n° 7	8-12 l/min
250-400 A	25-40 A	100-180 A	n° 8	10-14 l/min
400-500 A	40-55 A	160-240 A	n° 8	12-16 l/min
500-750 A	55-80 A	190-300 A	n° 10	15-20 l/min
750-1100 A	80-125 A	325-450 A	n° 12	20-25 l/min

11. CARACTÉRISTIQUES TECHNIQUES


Caractéristiques électriques			U.M.
CORE 185 MMA			
Tension d'alimentation U1 (50/60 Hz)	1x115 (±15%)	1x230 (±15%)	Vac
Zmax (@PCC) *	658	658	mΩ
Fusible retardé (MMA)	30	30	A
Fusible retardé (TIG)	30	30	A
Communication bus	DIGITAL	DIGITAL	
Puissance maximum absorbée (MMA)	3.24	6.44	kVA
Puissance maximum absorbée (MMA)	2.68	5.1	kW
Puissance maximum absorbée (TIG)	3.24	6.44	kVA
Puissance maximum absorbée (TIG)	2.68	5.1	kW
Puissance absorbée à l'état inactif	30	30	W
Facteur de puissance (PF) (MMA)	0.99	0.99	
Facteur de puissance (PF) (TIG)	0.99	0.99	
Rendement (μ) (MMA)	87.2	90.3	%
Rendement (μ) (TIG)	83.8	86.6	%
Cos φ	0.99	0.99	
Courant maximum absorbé I1max (MMA)	27	27	A
Courant maximum absorbé I1max (TIG)	18	24.5	A
Courant effectif I1eff (MMA)	13.5	13.5	A
Gamme de réglage (MMA)	20-110	20-185	A
Gamme de réglage (TIG)	10-140	10-185	A
Tension du moteur de dévidoir Uo (MMA)	76	76	Vdc
Tension du moteur de dévidoir Uo (TIG)	76	76	Vdc
Tension à vide Ur (MMA)	15	15	Vdc
Tension à vide Ur (TIG)	15	15	Vdc
Facteur de marche			
CORE 185 MMA			U.M.
	1x115	1x230	
Facteur de marche TIG (40°C)			
(X=25%)	140	185	A
(X=60%)	90	120	A
(X=100%)	70	93	A
Facteur de marche MMA (40°C)			
(X=25%)	110	185	A
(X=60%)	71	120	A
(X=100%)	55	93	A

Caractéristiques physiques CORE 185 MMA		U.M.
Degré de protection IP	IP23S	
Classe d'isolation	H	
Dimensions (lxdxh)	429x172x316	mm
Poids	9.5	Kg
Section câble d'alimentation	3x2.5	mm ²
Longueur du câble d'alimentation	3	m
Type de prise d'alimentation	16A 250V Type F	
Débit d'air	oui	
Normes de construction	EN IEC 60974-1/A1:2019 EN 60974-10/A1:2015	

** Ce matériel répond aux normes EN / IEC 61000-3-11 si l'impédance maximum possible du réseau au point d'interface du réseau public (point commun de couplage, PCC) est inférieure ou égale à la valeur donnée "Zmax". S'il est connecté à un réseau public basse tension, il est de la responsabilité de l'installateur ou de l'utilisateur de s'assurer, en consultant l'opérateur de réseau de distribution si nécessaire, que l'appareil peut être connecté.*

** Cet appareil pas conforme à la norme EN / IEC 61000-3-12.*

12. PLAQUE DONNÉES



voestalpine Böhler Welding
 Arc Technology s.r.l.
 Via Palladio 19
 Onara (PD), Italy
 www.voestalpine.com/welding

CORE 185^{MMA}
 Ser. no:

Designed in EU
 Assembled in PRC
 Par. no:




EVIDENCE OF TAMPERING VOIDS WARRANTY

	EN IEC 60974-1
	EN IEC 60974-10 Class A




20A/20.8V - 185A (110A) / 27.4V (24.4V)				
	X	25%	60%	100%
S	I_2	185A (110A)	120A (71A)	93A (55A)
	U_2	27.4V (24.4V)	24.8V (22.8V)	23.7V (22.2V)

10A/10.4V - 185A (140A) / 17.4V (15.6V)				
	X	25%	60%	100%
S	I_2	185A (140A)	120A (90A)	93A (70A)
	U_2	17.4V (15.6V)	14.8V (13.6V)	13.7V (12.8V)

$f_{50}^{>}$	U_1 230V (115V)	I_{Tmax} 27A (27A)	I_{Tnom} 13.5A (13.5A)
--------------	-------------------	----------------------	--------------------------

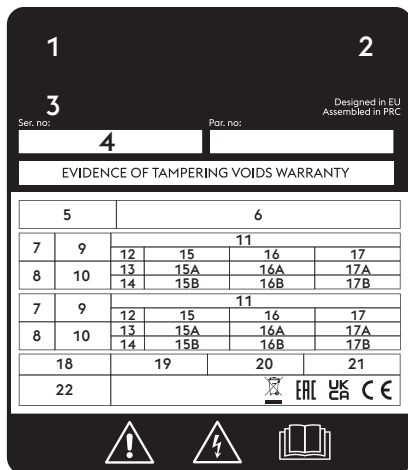
IP 23 S




03.08.544

FR

13. SIGNIFICATION DE LA PLAQUE DES DONNÉES

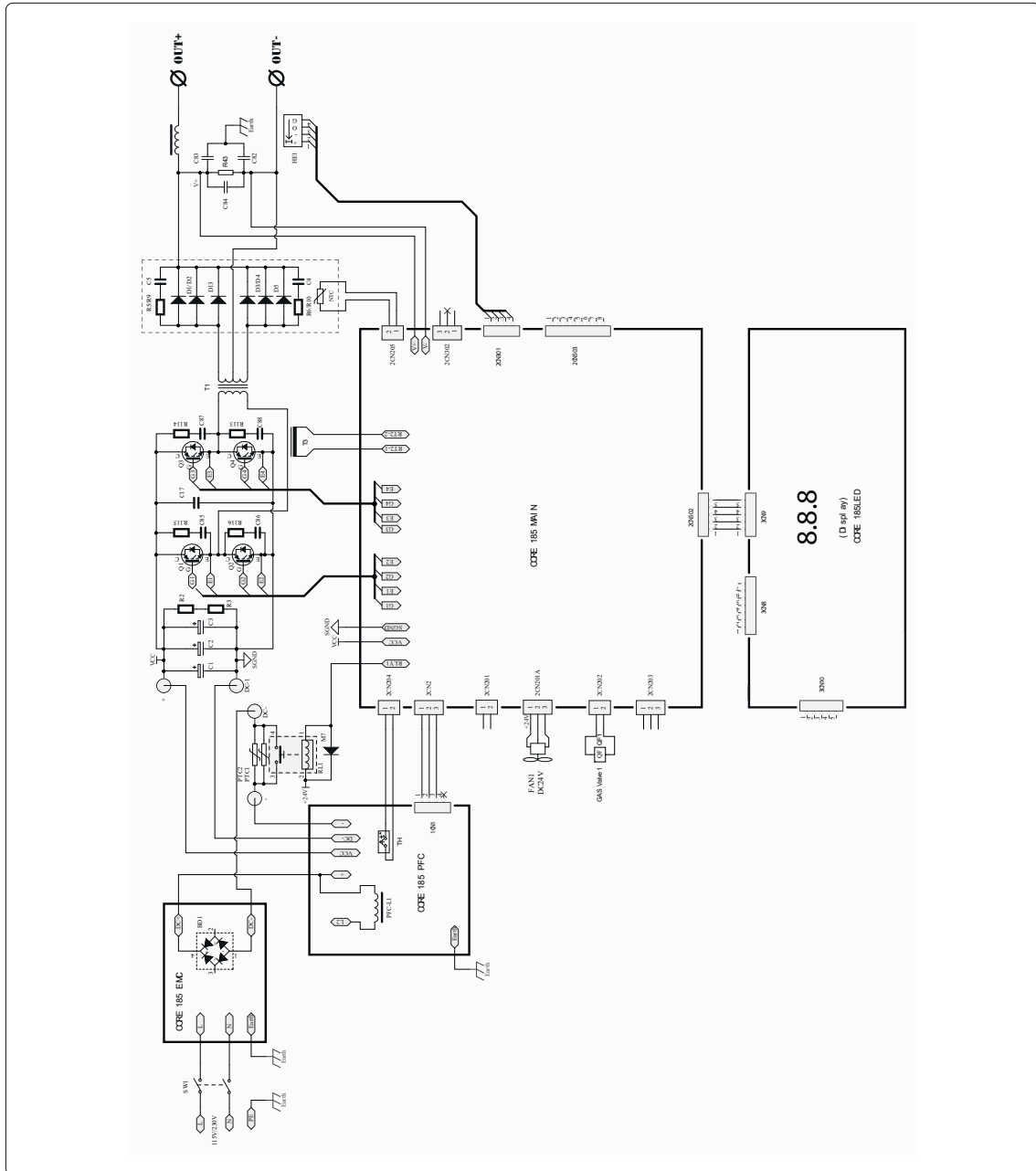


CE Déclaration de conformité UE
 EAC Déclaration de conformité EAC
 UKCA Déclaration de conformité UKCA

- 1 Marque de fabrique
- 2 Nom et adresse du constructeur
- 3 Modèle de l'appareil
- 4 N° de série
 XXXXXXXXXXXX Année de fabrication
- 5 Symbole du type de générateur
- 6 Référence aux normes de construction
- 7 Symbole du mode de soudage
- 8 Symbole pour les générateurs susceptibles d'être utilisés dans des locaux à fort risque de décharges électriques.l>
- 9 Symbole du courant de soudage
- 10 Tension nominale à vide
- 11 Gamme du courant maximum et minimum et de la tension conventionnelle de charge correspondante.
- 12 Symbole du cycle de travail
- 13 Symbole du courant nominal de soudage
- 14 Symbole de la tension nominale de soudage
- 15 Valeurs du cycle de travail
- 16 Valeurs du cycle de travail
- 17 Valeurs du cycle de travail
- 15A Valeurs du courant nominal de soudage
- 16A Valeurs du courant nominal de soudage
- 17A Valeurs du courant nominal de soudage
- 15B Valeurs de la tension conventionnelle de charge
- 16B Valeurs de la tension conventionnelle de charge
- 17B Valeurs de la tension conventionnelle de charge
- 18 Symbole pour l'alimentation
- 19 Tension nominale d'alimentation
- 20 Courant maximum nominal d'alimentation
- 21 Courant maximum effectif d'alimentation
- 22 Degré de protection

14. SCHÉMA

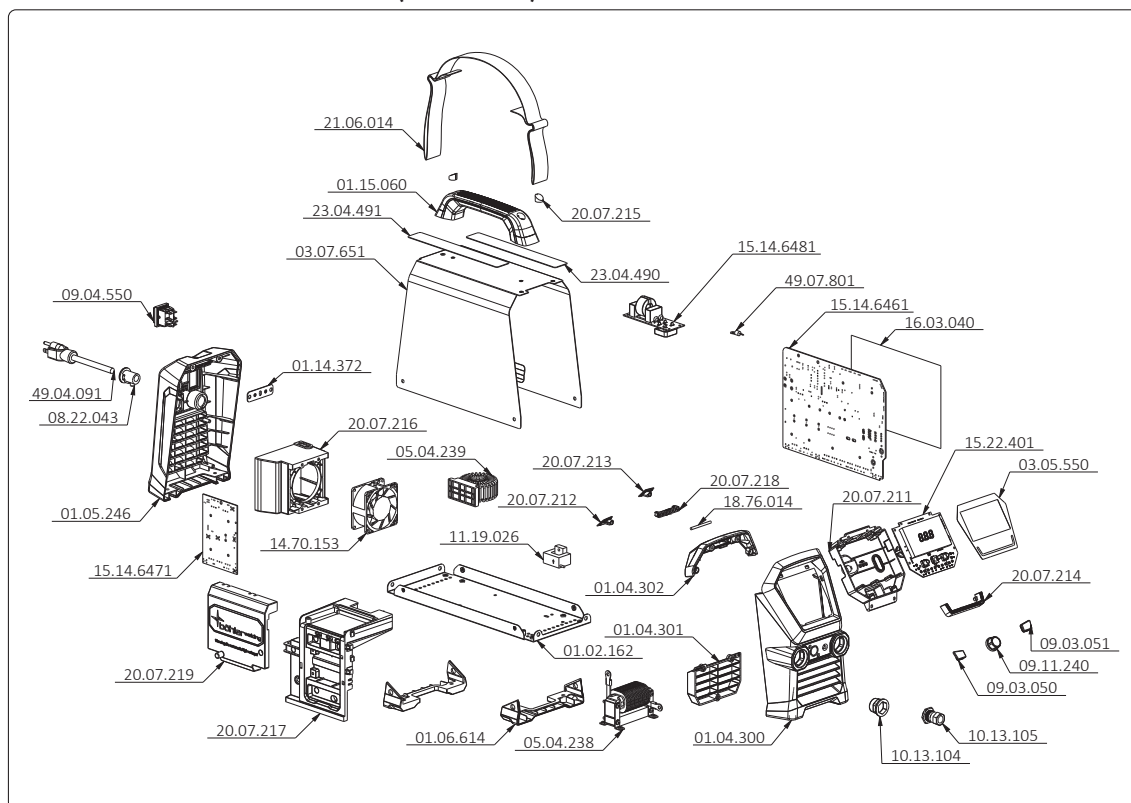
CORE 185 MMA 1x120V 1x230V (55.22.002)



FR

15. LISTE DE PIÈCES DÉTACHÉES

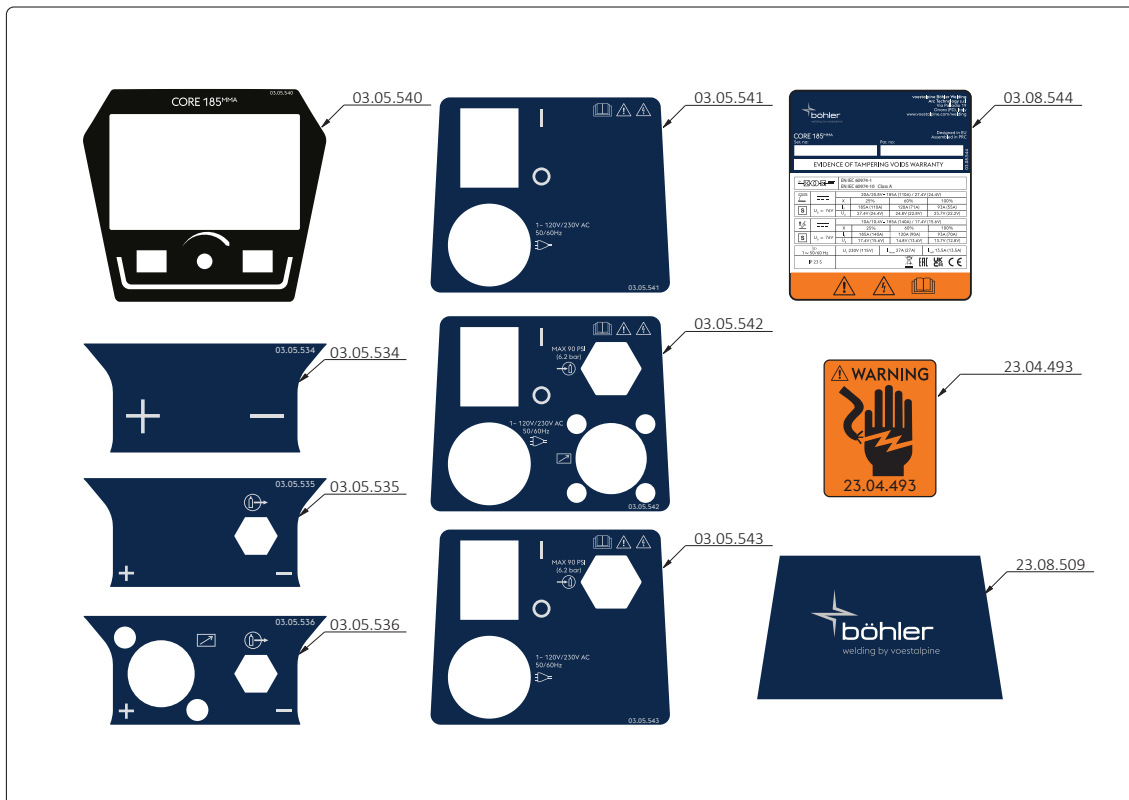
CORE 185 MMA 1x120V 1x230V (55.22.002)



RÉFÉRENCE	DESCRIPTION
01.02.162	Carter inférieur
01.04.300	Encadrement plastique frontal
01.04.301	Cheville plastique frontale
01.04.302	Cheville plastique frontale
01.05.246	Encadrement plastique arrière
01.06.614	Encadrement plastique inférieur
01.14.372	Barre de mise à la terre
01.15.060	Manche
03.05.550	Plaque commandes
03.07.651	Carter fixe
05.04.238	Inductance
05.04.239	Inductance
08.22.043	Serre-câble
09.03.050	Bouton
09.03.051	Bouton
09.04.550	Interrupteur
09.11.240	Bouton
10.13.104	Support prises
10.13.105	Prise fixe 50-70 mm ²
11.19.026	Capteur à effet hall
14.70.153	Ventilateur
15.14.6461	Platine électronique
15.14.6471	Platine électronique

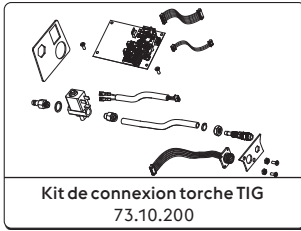
RÉFÉRENCE	DESCRIPTION
15.14.6481	Platine électronique
15.22.401	Panneau de commande
16.03.040	Feuille d'isolation
18.76.014	Goujon
20.07.211	Couvercle du panneau commande
20.07.212	Bouchon avant gauche
20.07.213	Bouchon avant droit
20.07.214	Cadre led frontal
20.07.215	Bouchon
20.07.216	Support hélice du ventilateur
20.07.217	Support platine
20.07.218	Support
20.07.219	Couverture pfc
21.06.014	Courroie
23.04.490	Étiquette paramètres électrode
23.04.491	Étiquette informatique
49.04.091	Cable d'alimentation 3.8m
49.07.801	Câblage

FR



RÉFÉRENCE	DESCRIPTION
03.08.544	Plaque données
03.05.534	Plaque frontale
03.05.535	Plaque frontale
03.05.536	Plaque frontale
03.05.540	Plaque frontale
03.05.541	Plaque arrière
03.05.542	Plaque arrière
03.05.543	Plaque arrière
23.04.493	Étiquette de signalisation
23.08.509	Étiquette latérale capot

16. ACCESSOIRES

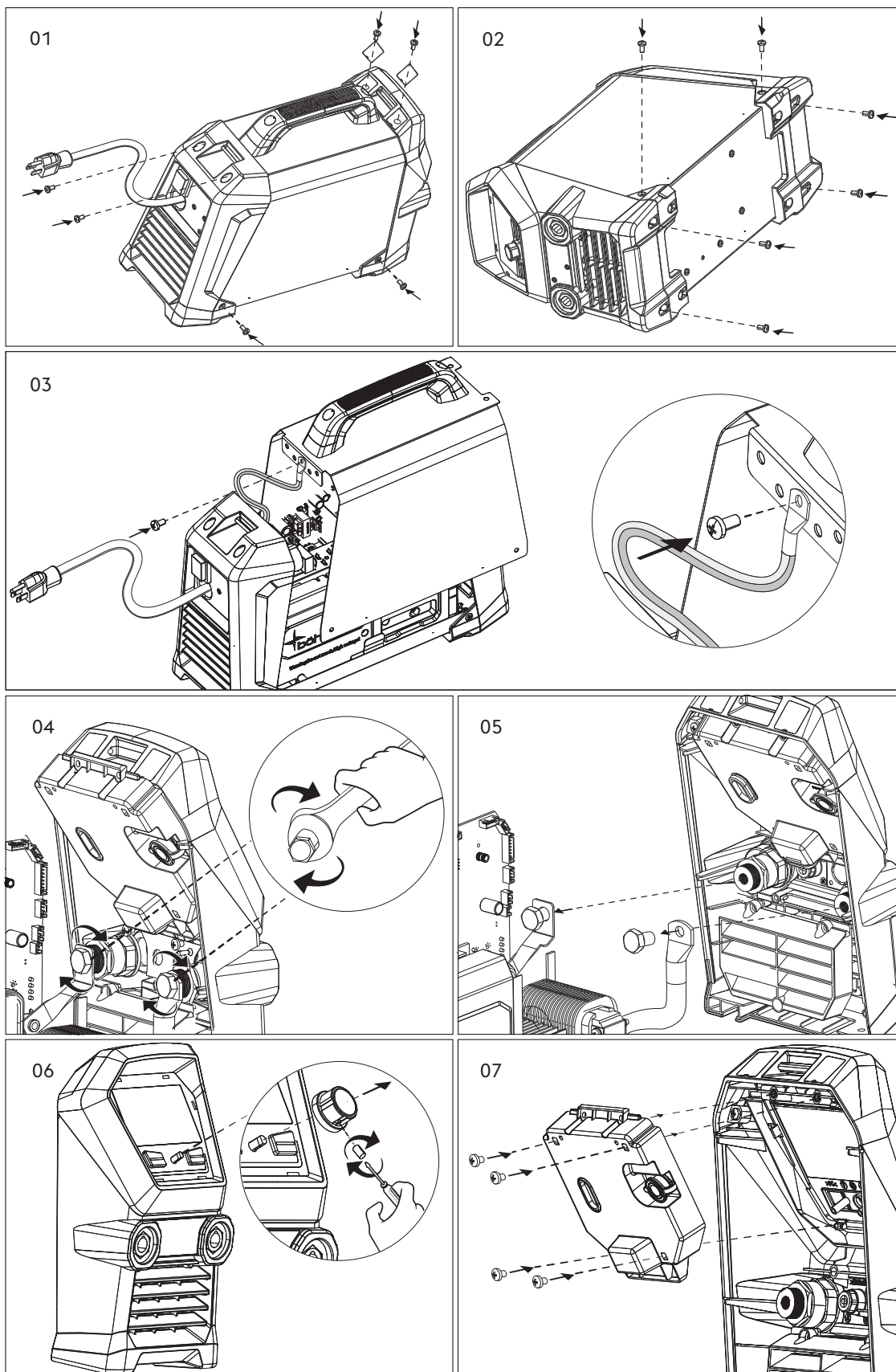


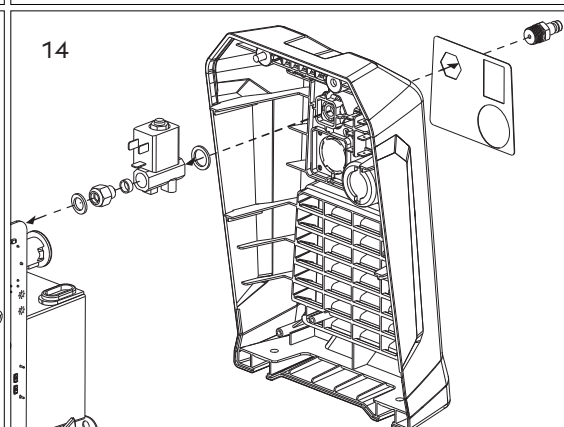
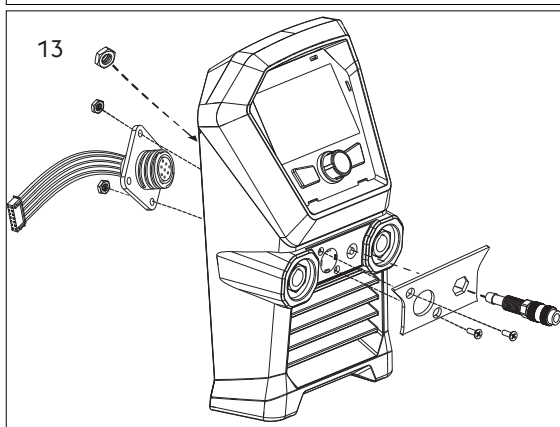
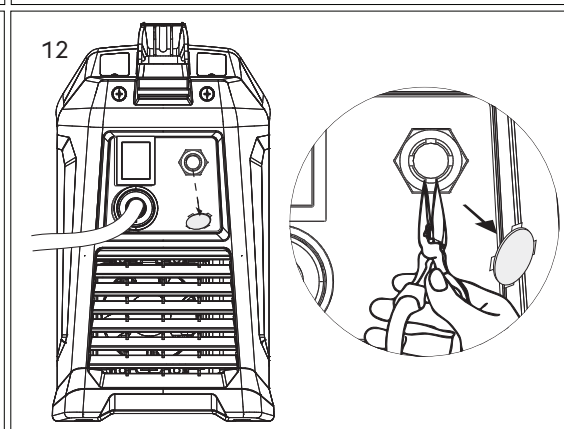
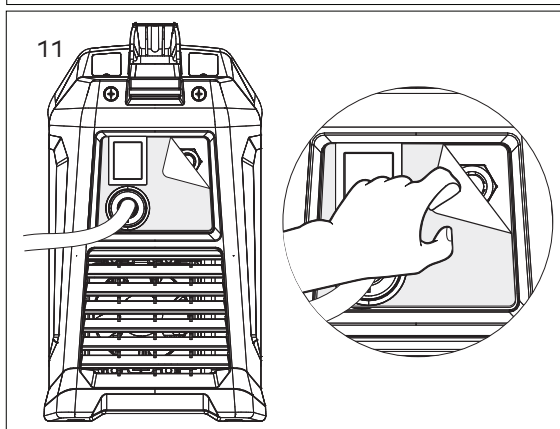
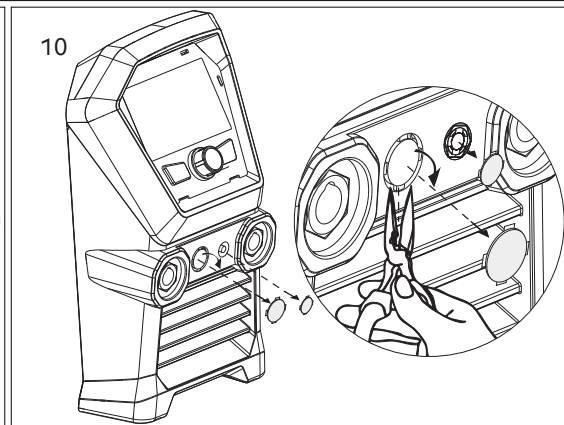
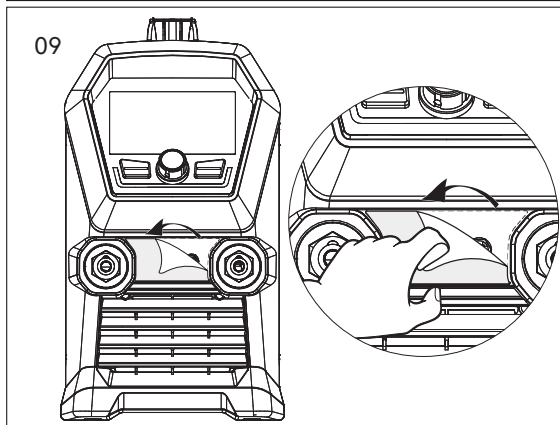
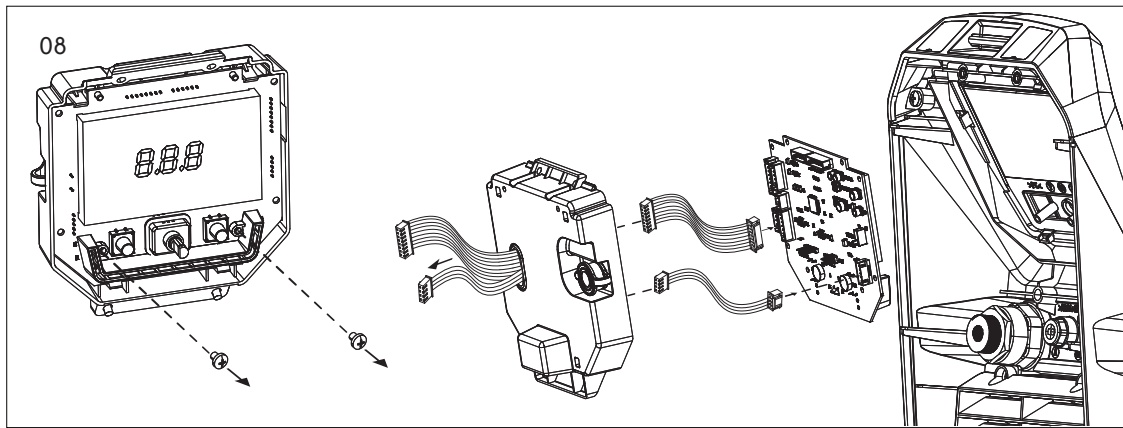
Consulter le paragraphe "Installation kit/accessoires".

17. INSTALLATION KIT/ACCESSOIRES

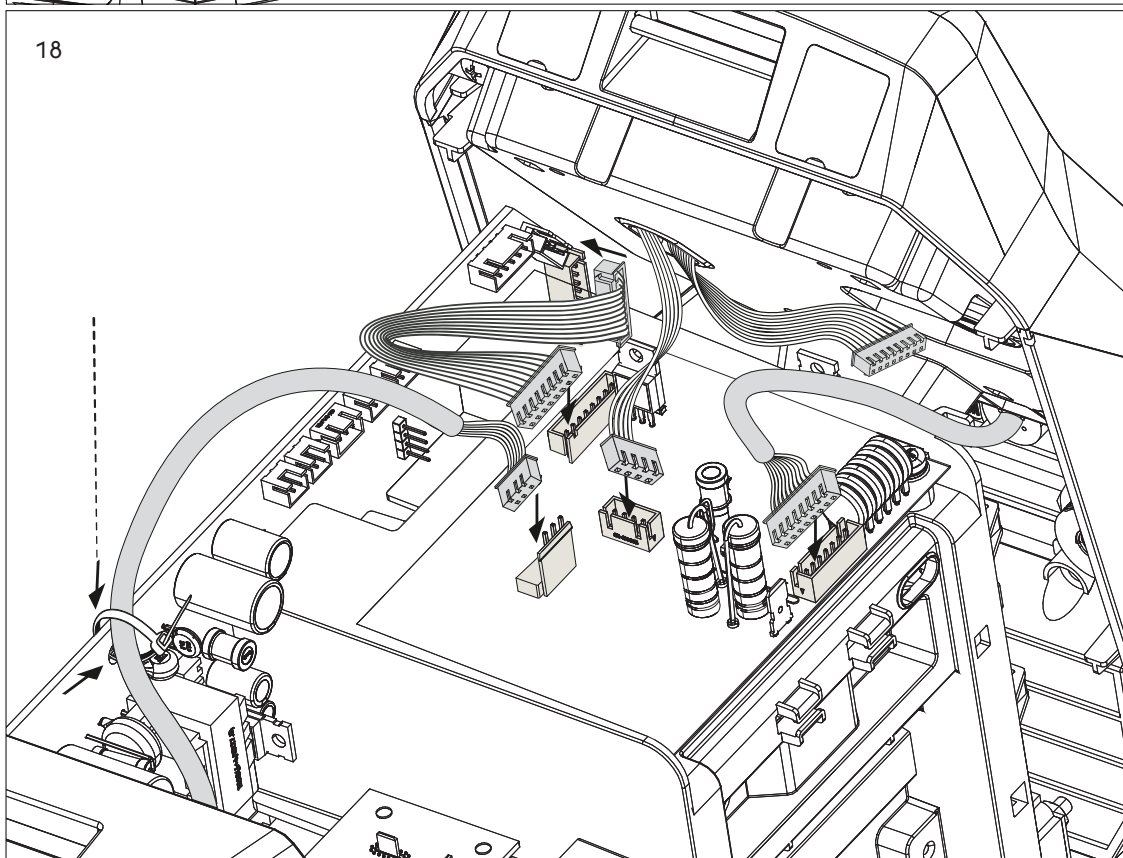
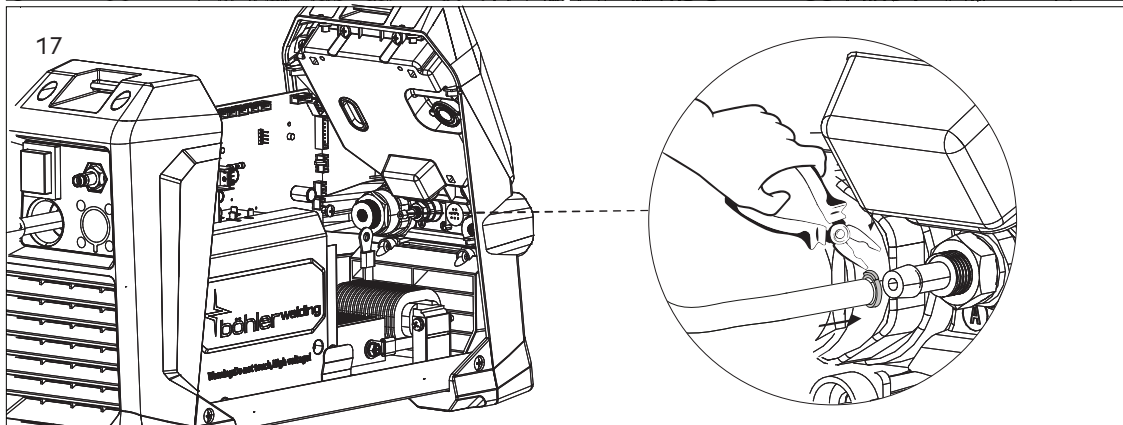
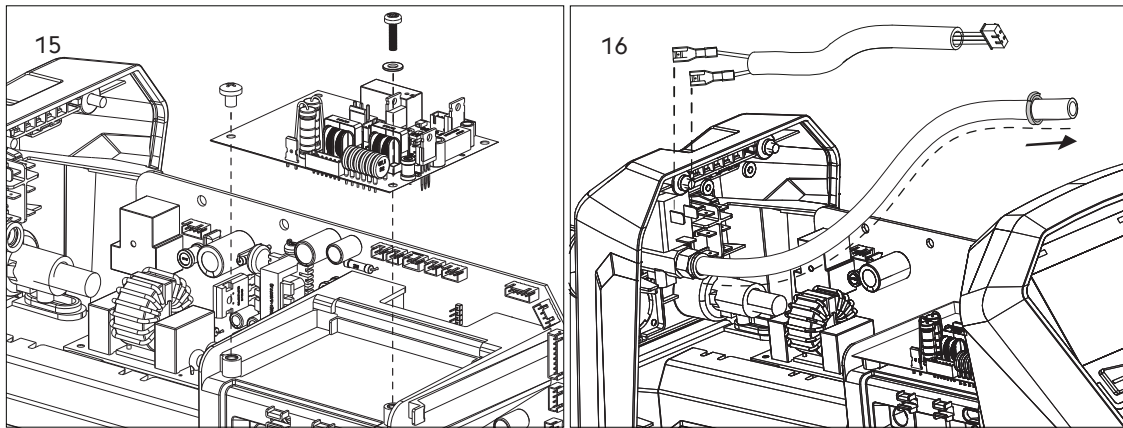
73.10.200 Kit de connexion torche TIG

FR





FR



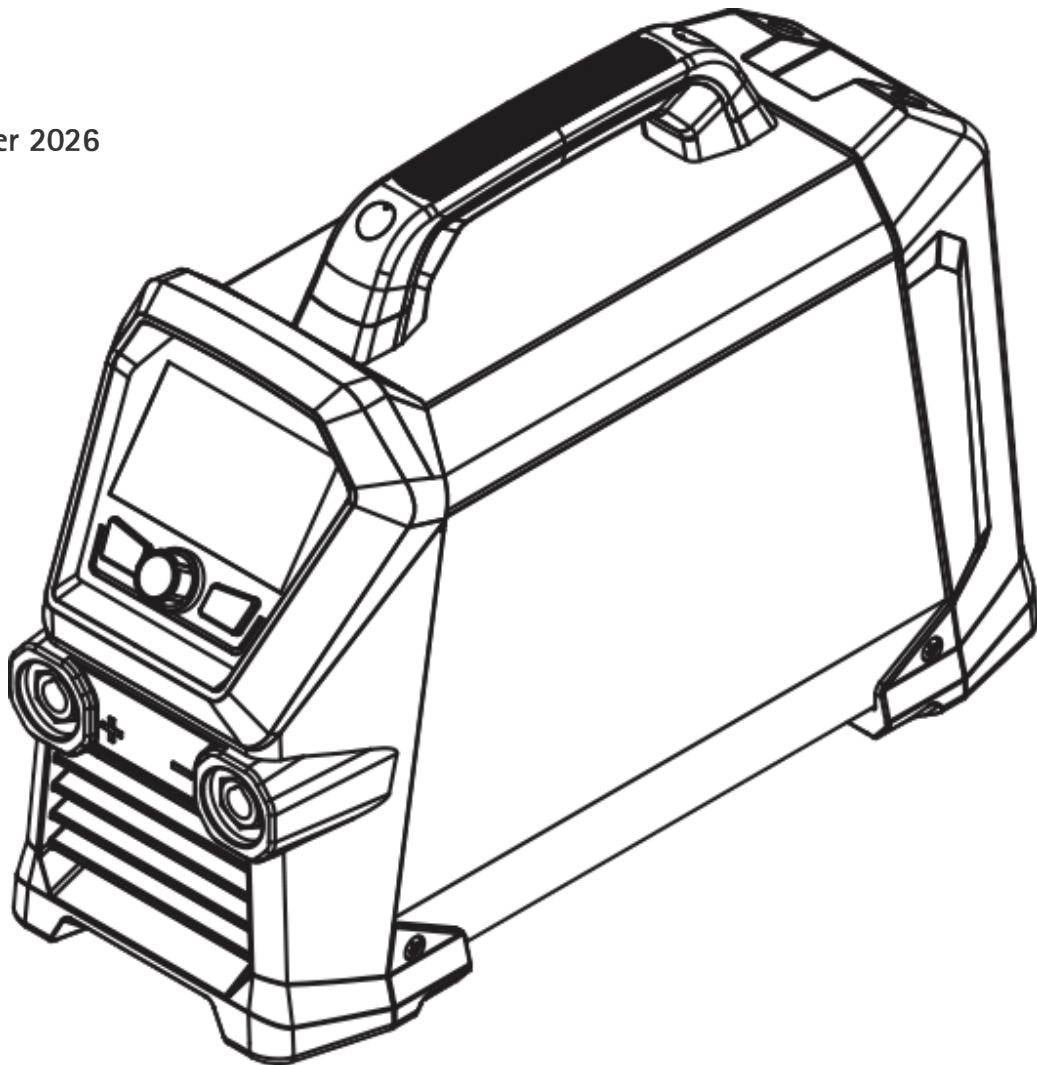
Lasting Connections

CORE 185 MMA

MANUAL DE USUARIO



reddot winner 2026





91.08.607
03/11/2025
Rev.A



CORE 185 MMA

DECLARACIÓN UE DE CONFORMIDAD

El constructor
voestalpine Böhler Welding Arc Technology S.r.l.
Via Palladio, 19 - 35019 Onara di Tombolo (PD) - ITALY
Tel. +39 049 9413/111 - Fax +39 049 9413/311 - www.voestalpine.com/welding

ES

declara bajo su exclusiva responsabilidad que el siguiente producto:

CORE 185 MMA 55.22.002

es conforme a las directivas EU:

2014/35/EU LOW VOLTAGE DIRECTIVE

2014/30/EU EMC DIRECTIVE

2011/65/EU RoHS DIRECTIVE

2019/1784/EU EcoDesign

2009/125/EU EcoDesign

y que se han aplicado las siguientes normas armonizadas:

EN IEC 60974-1/A1:2019 WELDING POWER SOURCE

EN 60974-10/A1:2015 ELECTROMAGNETIC COMPATIBILITY REQUIREMENTS

EN 50445:2008

EN IEC 63000:2018

La documentación que acredite el cumplimiento de las directivas se mantendrá disponible para inspecciones en el mencionado fabricante.

Toda reparación, o modificación, no autorizada por voestalpine Böhler Welding Arc Technology S.r.l. hará decaer la validez e invalidará esta declaración.

Onara di Tombolo, 03/11/2025

voestalpine Böhler Welding Arc Technology S.r.l.



Mirco Frasson **Pawel Dawid Lipinski**

Managing Directors

INDICE

1. ETIQUETA DE ADVERTENCIA	8
1.1 Protección contra descargas eléctricas	8
1.2 Protección contra los humos y gases	8
1.3 Protección personal y de terceros	9
1.4 Prevención durante el uso de las botellas de gas	9
1.5 Campos electromagnéticos y interferencias	9
1.6 Prevención contra incendios/explosiones	10
2. ADVERTENCIA	11
2.1 Entorno de utilización	11
2.2 Protección personal y de terceros	12
2.3 Protección contra los humos y gases	13
2.4 Prevención contra incendios/explosiones	13
2.5 Prevención durante el uso de las botellas de gas	13
2.6 Protección contra descargas eléctricas	14
2.7 Campos electromagnéticos y interferencias	14
2.8 Grado de protección IP	15
2.9 Eliminación	15
3. INSTALACIÓN	16
3.1 Elevación, transporte y descarga	16
3.2 Colocación del equipo	16
3.3 Conexión	16
3.4 Instalación	17
4. PRESENTACIÓN DEL SISTEMA	19
4.1 Panel posterior	19
4.2 Panel de las tomas	19
4.3 Panel de mandos frontal	20
5. UTILIZACIÓN DEL EQUIPO	22
5.1 Pantalla principal	22
5.2 Pantalla principal del proceso MMA	22
5.3 Selección de parámetros de sinergias	23
5.4 Pantalla principal del proceso MMA Pulsado	25
5.5 Pantalla principal del proceso TIG Lift	26
5.6 Pantalla principal del proceso por puntos TIG LIFT	26
5.7 Pantalla de programas (JOB POINT)	27
5.8 Barra led	28
5.9 Mantenimiento adaptativo	29
6. CONFIGURACIÓN	30
7. MANTENIMIENTO	35
7.1 Controles periódicos de la fuente de alimentación	35
7.2 Responsabilidad	35
8. CODIFICACIÓN DE ALARMAS	36
9. DIAGNÓSTICO Y SOLUCIÓN DE PROBLEMAS	37
10. INSTRUCCIONES DE USO	38
10.1 Soldaduras con electrodo recubierto (MMA)	38
10.2 Soldadura TIG (arco continuo)	39
11. CARACTERÍSTICAS TÉCNICAS	41
12. PLACA DE DATOS	43
13. SIGNIFICADO DE LA ETIQUETA DE LOS DATOS	44
14. ESQUEMA	45
15. LISTA DE REPUESTOS	46
16. ACCESORIOS	49
17. INSTALACIÓN KIT/ACCESORIOS	50

SÍMBOLOS



Advertencia



Prohibiciones



Obligaciones



Indicaciones generales

1. ETIQUETA DE ADVERTENCIA



1.1 Protección contra descargas eléctricas



Las descargas eléctricas suponen un peligro de muerte.

- No toque las piezas internas ni externas bajo tensión del equipo de soldadura mientras el equipo éste se encuentre activado (antorchas, pinzas, cables de masa, electrodos, alambres, rodillos y bobinas están conectados eléctricamente al circuito de soldadura).
- Compruebe el aislamiento eléctrico del equipo, utilizando superficies y bases secas y aisladas perfectamente del potencia de tierra y de masa de la tierra.
- Compruebe que el equipo esté conectado correctamente a una toma y a una fuente de alimentación dotada de conductor de protección de tierra.
- No toque simultáneamente dos antorchas, o dos pinzas portaelectrodos.
- Interrumpa inmediatamente la soldadura si nota una descarga eléctrica.



El dispositivo de inicio y estabilización del arco se proyecta para el funcionamiento con guía manual o mecánica.



El aumento de la longitud de la antorcha o de los cables de soldadura de más de 8 m aumentará el riesgo de descarga eléctrica.

1.2 Protección contra los humos y gases



Los humos, gases y polvos producidos por la soldadura pueden ser perjudiciales para la salud.

El humo producido durante la soldadura en determinadas circunstancias, puede provocar cáncer o daños al feto en las mujeres embarazadas.

- Mantenga la cabeza lejos de los gases y del humo de soldadura.
- Proporcione una ventilación adecuada, natural o forzada, en la zona de trabajo.
- En el caso de ventilación insuficiente, utilice mascarillas con respiradores.
- En el caso de soldaduras en lugares angostos, se aconseja que una persona controle al operador desde el exterior.
- No use oxígeno para la ventilación.
- Compruebe la eficacia de la aspiración, comparando periódicamente las emisiones de gases nocivos con los valores admitidos por las normas de seguridad.
- La cantidad y el peligro de los humos producidos dependen del material utilizado, del material de soldadura y de las sustancias utilizadas para la limpieza y el desengrase de las piezas a soldar. Respete escrupulosamente las indicaciones del fabricante y las fichas técnicas.
- No suelde en lugares donde se efectúen desengrases o donde se pinte.
- Coloque las botellas de gas en espacios abiertos, o con una buena circulación de aire.

1.3 Protección personal y de terceros



El proceso de soldadura es una fuente nociva de radiaciones, ruido, calor y emanaciones gaseosas. Coloque una pared divisoria ignífuga para proteger la zona de soldadura de los rayos, chispas y escorias incandescentes.

Advierta a las demás personas que se protejan de los rayos del arco, o del metal incandescente y que no los fijamente.



No toque las piezas recién soldadas, el calor excesivo podría provocar graves quemaduras. Tome todas las medidas de precaución anteriores incluso durante los trabajos de post-soldadura, puesto que de las piezas que se están enfriando podrían saltar escorias.



Use máscaras con protecciones laterales para la cara y filtro de protección adecuado para los ojos (al menos NR10 o mayor).

1.4 Prevención durante el uso de las botellas de gas



Las botellas de gas inerte contienen gas bajo presión y pueden explotar si no se respetan las condiciones mínimas de transporte, mantenimiento y uso.

- Las botellas deben estar sujetas verticalmente a paredes o a otros soportes con elementos adecuados para que no se caigan ni se choquen contra otros objetos.
- Enrosque la tapa de protección de la válvula durante el transporte, la puesta en servicio y cuando concluyan las operaciones de soldadura.
- No exponga las botellas directamente a los rayos solares, a cambios bruscos de temperatura, a temperaturas muy altas o muy bajas. No exponga las botellas a temperaturas muy rígidas ni demasiado altas o bajas.
- Las botellas no deben tener contacto con llamas libres, con arcos eléctricos, antorchas, pinzas portaelectrodos, ni con las proyecciones incandescentes producidas por la soldadura.
- Mantenga las botellas lejos de los circuitos de soldadura y de los circuitos de corriente eléctrica en general.
- Mantenga la cabeza lejos del punto de salida del gas cuando abra la válvula de la botella.
- Cierre la válvula de la botella cuando haya terminado de soldar.
- Nunca suelde sobre una botella de gas bajo presión.
- No conecte una botella de aire comprimido directamente con el reductor de la máquina! Si la presión sobrepasa la capacidad del reductor, éste podría estallar!

1.5 Campos electromagnéticos e interferencias



El paso de la corriente a través de los cables internos y externos del equipo crea un campo electromagnético cerca de los cables de soldadura y del mismo equipo.

- Los campos electromagnéticos pueden ser perjudiciales (desconocen los efectos exactos) para la salud de una persona expuesta durante mucho tiempo.
- Los campos electromagnéticos pueden interferir con otros equipos tales como marcapasos o aparatos acústicos.
- Las personas con aparatos electrónicos vitales (marcapasos) deberían consultar al médico antes de acercarse al área donde se están efectuando soldaduras por arco.

1.6 Prevención contra incendios/explosiones



El proceso de soldadura puede originar incendios y/o explosiones.

- Retire de la zona de trabajo y de aquella la circundante los materiales, o u objetos inflamables o combustibles.
- Los materiales inflamables deben estar a 11 metros (35 pies) como mínimo del local de soldadura o deben estar protegidos perfectamente.
- Las proyecciones de chispas y partículas incandescentes pueden llegar fácilmente a las zonas de circundantes, incluso a través de pequeñas aberturas. Observe escrupulosamente la seguridad de las personas y de los bienes.
- No suelde encima o cerca de recipientes bajo presión.
- No suelde recipientes o tubos cerrados. Tenga mucho cuidado durante la soldadura de tubos o recipientes, incluso si éstos están abiertos, vacíos y bien limpios. Los residuos de gas, combustible, aceite o similares podrían provocar explosiones.
- No suelde en lugares donde haya polvos, gas, o vapores explosivos.
- No corte en lugares donde haya polvos, gas, o vapores explosivos.
- Al final de la soldadura, compruebe que el circuito bajo tensión no puede tocar accidentalmente piezas conectadas al circuito de masa.
- Coloque en la cerca de la zona de trabajo un equipo o dispositivo antiincendio.

2. ADVERTENCIA



Antes de comenzar cualquier tipo de operación, tiene que haber comprendido el contenido del presente manual.

No efectúe modificaciones ni mantenimientos no descritos en este manual. El fabricante no es responsable por daños a personas o cosas causados por una lectura, o una puesta en aplicación negligente de cuanto escrito del contenido de este manual.

El manual de instrucciones debe permanecer guardado en el lugar de empleo del equipo. Complementariamente al manual de instrucciones, se deben tener en cuenta las reglas válidas a modo general, así como las reglas locales respecto a la prevención de accidentes y la protección medioambiental.

voestalpine Böhler Welding Arc Technology S.r.l. se reserva el derecho de efectuar modificaciones en cualquier momento y sin aviso previo.

Reservados todos los derechos de traducción, reproducción y adaptación total o parcial con cualquier medio (incluidas las copias foto-estáticas, películas y microfilms), sin la autorización escrita por parte de **voestalpine Böhler Welding Arc Technology S.r.l.**

Los temas tratados en este manual son de vital importancia, y por tanto imprescindibles para poder aplicar las garantías.

Si el operador no se atiende a lo descrito, el fabricante declina cualquier tipo de responsabilidad.



Todas las personas implicadas en la puesta en servicio, el manejo, el mantenimiento y la conservación del equipo deben:

- poseer la cualificación correspondiente
- Poseer conocimientos de soldadura
- Leer completamente y seguir escrupulosamente este manual de instrucciones

En caso de dudas o problemas sobre la utilización del equipo, aunque no se indiquen aquí, consulte con personal cualificado.

2.1 Entorno de utilización



El equipo debe utilizarse exclusivamente para las operaciones para las cuales ha sido diseñado, en los modos y dentro de los campos previstos en la placa de identificación y/o en este manual, según las directivas nacionales e internacionales sobre la seguridad. Un uso diferente del declarado por el fabricante se considera inadecuado y peligroso; en dicho caso, el fabricante no asumirá ninguna responsabilidad.



Este equipo tiene que utilizarse sólo para fines profesionales en un local industrial. El fabricante no responde de daños provocados por un uso del equipo en entornos domésticos.



El equipo debe utilizarse en locales con una temperatura comprendida entre -10°C y +40°C (entre +14°F y +104°F).

El equipo debe transportarse y almacenarse en locales con una temperatura comprendida entre -25°C y +55°C (entre -13°F y 131°F).

El equipo debe utilizarse en locales sin polvo, ácidos, gases ni otras sustancias corrosivas.

El equipo debe utilizarse en locales con una humedad relativa no superior al 50% a 40°C (104°F).

El equipo debe utilizarse en locales con una humedad relativa no superior al 90% a 20°C (68°F).

El equipo debe utilizarse a una altitud máxima sobre el nivel del mar de 2000 m (6500 pies).



No utilizar dicho aparato para descongelar tubos.

No utilice el equipo para cargar baterías ni acumuladores.

No utilice el equipo para hacer arrancar motores.

2.2 Protección personal y de terceros



El proceso de soldadura es una fuente nociva de radiaciones, ruido, calor y emanaciones gaseosas. Coloque una pared divisoria ignífuga para proteger la zona de soldadura de los rayos, chispas y escorias incandescentes. Advierta a las demás personas que se protejan de los rayos del arco, o del metal incandescente y que no los fijamente.



Póngase prendas de protección para proteger la piel de los rayos del arco y de las chispas, o del metal incandescente. La indumentaria utilizada debe cubrir todo el cuerpo y debe ser:

- íntegra y en buenas condiciones
- ignífuga
- aislante y seca
- ceñida al cuerpo y sin dobleces



Utilice siempre zapatos resistentes y herméticos al agua.



Utilice siempre guantes que garanticen el aislamiento eléctrico y térmico.



Use máscaras con protecciones laterales para la cara y filtro de protección adecuado para los ojos (al menos NR10 o mayor).



Utilice siempre gafas de seguridad con aletas laterales, especialmente cuando tenga que deba retirar manual o mecánicamente las escorias de soldadura.



¡No use lentes de contacto!



Use auriculares si el proceso de soldadura es muy ruidoso. Si el nivel de ruido supera los límites indicados por la ley, delimite la zona de trabajo y cerciórese de que las personas que entren en la misma estén protegidas con auriculares.



Mantenga siempre las tapas laterales cerradas durante los trabajos de soldadura. El equipo no debe ser modificado.



No toque las piezas recién soldadas, el calor excesivo podría provocar graves quemaduras.



Tome todas las medidas de precaución anteriores incluso durante los trabajos de post-soldadura, puesto que de las piezas que se están enfriando podrían saltar escorias.



Compruebe que la antorcha se haya enfriado antes de efectuar trabajos o mantenimientos.



Compruebe que el grupo de refrigeración esté apagado antes de desconectar los tubos de suministro y de retorno del líquido refrigerante. El líquido caliente que sale podría provocar graves quemaduras.



Tenga a mano un equipo de primeros auxilios.
No subestime quemaduras o heridas.



Antes de abandonar el puesto de trabajo, tome todas las medidas de seguridad para dejar la zona de trabajo segura y así impedir accidentes graves a personas o bienes.

2.3 Protección contra los humos y gases



Los humos, gases y polvos producidos por la soldadura pueden ser perjudiciales para la salud.

El humo producido durante la soldadura en determinadas circunstancias, puede provocar cáncer o daños al feto en las mujeres embarazadas.

- Mantenga la cabeza lejos de los gases y del humo de soldadura.
- Proporcione una ventilación adecuada, natural o forzada, en la zona de trabajo.
- En el caso de ventilación insuficiente, utilice mascarillas con respiradores.
- En el caso de soldaduras en lugares angostos, se aconseja que una persona controle al operador desde el exterior.
- No use oxígeno para la ventilación.
- Compruebe la eficacia de la aspiración, comparando periódicamente las emisiones de gases nocivos con los valores admitidos por las normas de seguridad.
- La cantidad y el peligro de los humos producidos dependen del material utilizado, del material de soldadura y de las sustancias utilizadas para la limpieza y el desengrase de las piezas a soldar. Respete escrupulosamente las indicaciones del fabricante y las fichas técnicas.
- No suelde en lugares donde se efectúen desengrases o donde se pinte.
- Coloque las botellas de gas en espacios abiertos, o con una buena circulación de aire.

2.4 Prevención contra incendios/explosiones



El proceso de soldadura puede originar incendios y/o explosiones.

- Retire de la zona de trabajo y de aquélla la circundante los materiales, o u objetos inflamables o combustibles.
- Los materiales inflamables deben estar a 11 metros (35 pies) como mínimo del local de soldadura o deben estar protegidos perfectamente.
- Las proyecciones de chispas y partículas incandescentes pueden llegar fácilmente a las zonas de circundantes, incluso a través de pequeñas aberturas. Observe escrupulosamente la seguridad de las personas y de los bienes.
- No suelde encima o cerca de recipientes bajo presión.
- No suelde recipientes o tubos cerrados. Tenga mucho cuidado durante la soldadura de tubos o recipientes, incluso si éstos están abiertos, vacíos y bien limpios. Los residuos de gas, combustible, aceite o similares podrían provocar explosiones.
- No suelde en lugares donde haya polvos, gas, o vapores explosivos.
- Al final de la soldadura, compruebe que el circuito bajo tensión no puede tocar accidentalmente piezas conectadas al circuito de masa.
- Coloque en la cerca de la zona de trabajo un equipo o dispositivo antiincendio.

2.5 Prevención durante el uso de las botellas de gas



Las botellas de gas inerte contienen gas bajo presión y pueden explotar si no se respetan las condiciones mínimas de transporte, mantenimiento y uso.

- Las botellas deben estar sujetas verticalmente a paredes o a otros soportes con elementos adecuados para que no se caigan ni se choquen contra otros objetos.
- Enrosque la tapa de protección de la válvula durante el transporte, la puesta en servicio y cuando concluyan las operaciones de soldadura.
- No exponga las botellas directamente a los rayos solares, a cambios bruscos de temperatura, a temperaturas muy altas o muy bajas. No exponga las botellas a temperaturas muy rígidas ni demasiado altas o bajas.
- Las botellas no deben tener contacto con llamas libres, con arcos eléctricos, antorchas, pinzas portaelectrodos, ni con las proyecciones incandescentes producidas por la soldadura.
- Mantenga las botellas lejos de los circuitos de soldadura y de los circuitos de corriente eléctrica en general.
- Mantenga la cabeza lejos del punto de salida del gas cuando abra la válvula de la botella.
- Cierre la válvula de la botella cuando haya terminado de soldar.
- Nunca suelde sobre una botella de gas bajo presión.
- No conecte una botella de aire comprimido directamente con el reductor de la máquina! Si la presión sobrepasa la capacidad del reductor, éste podría estallar!

2.6 Protección contra descargas eléctricas



Las descargas eléctricas suponen un peligro de muerte.

- No toque las piezas internas ni externas bajo tensión del equipo de soldadura mientras el equipo éste se encuentre activado (antorchas, pinzas, cables de masa, electrodos, alambres, rodillos y bobinas están conectados eléctricamente al circuito de soldadura).
- Compruebe el aislamiento eléctrico del equipo, utilizando superficies y bases secas y aisladas perfectamente de la potencia de tierra y de masa de la tierra.
- Compruebe que el equipo esté conectado correctamente a una toma y a una fuente de alimentación dotada de conductor de protección de tierra.
- No toque simultáneamente dos antorchas, o dos pinzas portaelectrodos.
- Interrumpa inmediatamente la soldadura si nota una descarga eléctrica.



El dispositivo de inicio y estabilización del arco se proyecta para el funcionamiento con guía manual o mecánica.

2.7 Campos electromagnéticos e interferencias



Las personas con aparatos electrónicos vitales (marcapasos) deberían consultar al médico antes de acercarse al área donde se están efectuando soldaduras por arco.



El paso de la corriente a través de los cables internos y externos del equipo crea un campo electromagnético cerca de los cables de soldadura y del mismo equipo.

- Los campos electromagnéticos pueden ser perjudiciales (desconocen los efectos exactos) para la salud de una persona expuesta durante mucho tiempo.
- Los campos electromagnéticos pueden interferir con otros equipos tales como marcapasos o aparatos acústicos.

2.7.1 Clasificación EMC in acuerdo con la Normativa: EN 60974-10/A1:2015.



Le matériel de classe B est conforme aux exigences de compatibilité électromagnétique en milieu industriel et résidentiel, y compris en environnement résidentiel où l'alimentation électrique est distribuée par un réseau public basse tension.



Le matériel de classe A n'est pas conçu pour être utilisé en environnement résidentiel où l'alimentation électrique est distribuée par un réseau public basse tension. Puede ser potencialmente difícil asegurar la compatibilidad electromagnética de los dispositivos de clase A en estas áreas, a causa de las perturbaciones irradiadas y conducidas.

Para más información, consulte el capítulo: PLACA DE DATOS o CARACTERÍSTICAS TÉCNICAS.

2.7.2 Instalación, uso y evaluación del área

Este equipo responde a las indicaciones especificaciones de la norma armonizada EN 60974-10/A1:2015 y se identifica como de "CLASE A". Este equipo tiene que debe utilizarse sólo para fines profesionales en un local industrial. El fabricante no responde de daños provocados por un uso del equipo en entornos domésticos.



El usuario debe ser un experto del sector y como tal es responsable de la instalación y del uso del aparato según las indicaciones del fabricante. Si se detectasen perturbaciones electromagnéticas, el usuario del equipo tendrá que resolver la situación sirviéndose de la asistencia técnica del fabricante.



Debe procurar reducir las perturbaciones electromagnéticas hasta un nivel que no resulte molesto.



Antes de instalar este equipo, el usuario tiene que evaluar los potenciales problemas electromagnéticos que podrían producirse en la zona circundante y, en particular, la salud de las personas expuestas, por ejemplo: personas con marcapasos y aparatos acústicos.

2.7.3 Requisitos de alimentación de red

Los dispositivos de elevada potencia pueden influir en la calidad de la energía de la red de distribución a causa de la corriente absorbida. Consiguientemente, para algunos tipos de dispositivos (consulte los datos técnicos) pueden aplicarse algunas restricciones de conexión o algunos requisitos en relación con la máxima impedancia de red admitida (Z_{max}) o la mínima potencia de instalación (S_{sc}) disponible en el punto de interacción con la red pública (punto de acoplamiento común - "Point of Common Coupling" PCC). En este caso, es responsabilidad del instalador o del usuario, consultando al gestor de la red si es necesario, asegurarse de que el dispositivo se puede conectar. En caso de interferencia, podría ser necesario tomar adicionales, como por ejemplo colocar filtros en la alimentación de la red.

Además, considere la posibilidad de blindar el cable de alimentación.

Para más información, consulte el capítulo: CARACTERÍSTICAS TÉCNICAS.

2.7.4 Precauciones en el uso de los cables

Para minimizar los efectos de los campos electromagnéticos, respete las siguientes reglas:

- No se enrolle los cables alrededor del cuerpo.
- No se coloque entre el cable de masa y el cable de potencia (mantenga ambos cables del mismo lado).
- Los cables tienen que ser lo más cortos posible, estar situarse cerca el uno del otro y pasar por encima o cerca del nivel del suelo.
- Coloque el equipo a una cierta distancia de la zona de soldadura.
- Los cables deben estar apartados de otros cables.

2.7.5 Conexión equipotencial

Tenga en cuenta que todos los componentes metálicos de la instalación del equipo de soldadura (corte) y aquéllos los que se encuentran cerca tienen que estar conectados a tierra. Respete las normativas nacionales referentes a la conexión equipotencial.

2.7.6 Puesta a tierra de la pieza de trabajo

Cuando la pieza de trabajo no está conectada a tierra por motivos de seguridad eléctrica, o a debido a sus dimensiones y posición, la conexión a tierra entre la pieza y la tierra de la pieza podría reducir las emisiones. Es importante procurar en que la conexión a tierra de la pieza de trabajo no aumente el riesgo de accidente de los operadores, y que no dañe otros aparatos eléctricos. Respete las normativas nacionales referentes a la conexión a tierra.

2.7.7 Blindaje

El blindaje selectivo de otros cables y aparatos presentes en la zona circundante puede reducir los problemas de interferencia.

En caso de aplicaciones especiales, también puede considerarse el blindaje de todo el equipo de soldadura.

2.8 Grado de protección IP



IP23S

- Para evitar el contacto de los dedos con partes peligrosas y la entrada de cuerpos sólidos extraños de diámetro mayor/igual a 12.5 mm.
- Envoltura protegida contra la lluvia a 60° sobre la vertical.
- Envoltura protegida contra los efectos perjudiciales debidos a la entrada de agua, cuando las partes móviles del aparato no están en movimiento.

2.9 Eliminación



¡No arroje nunca el equipo eléctrico entre los residuos comunes!

Con arreglo a la Directiva Europea 2012/19/UE sobre Residuos de Aparatos Eléctricos y Electrónicos y su implementación de acuerdo con las leyes nacionales, los aparatos eléctricos que hayan llegado al final de su ciclo de vida deben recogerse por separado y enviarse a un centro de recuperación y eliminación. El propietario del aparato debe identificar los centros de recogida autorizados consultando con las Administraciones Locales. La aplicación de la Directiva Europea permitirá mejorar el medio ambiente y la salud humana.

» Para más información, consulte el sitio web.

3. INSTALACIÓN



La instalación debe efectuarla solamente personal experto y habilitado por el fabricante.



Durante la instalación compruebe que el la fuente de alimentación esté desconectada de la toma de corriente.



La conexión de los fuentes de alimentación en serie o en paralelo está prohibida.

3.1 Elevación, transporte y descarga

- La fuente de alimentación dispone de una correa extensible que permite trasladar el equipo en la mano o encima del hombro.
- El equipo no incorpora elementos específicos para la elevación.
- Utilice una carretilla elevadora de horquillas, desplazándose con cuidado a fin de evitar que el generador pueda volcarse.



No subestime el peso del equipo, consulte las características técnicas.

No traslade ni detenga la carga encima de personas u objetos.

No aplique una presión excesiva sobre el equipo.

3.2 Colocación del equipo



Observe las siguientes normas:

- El acceso a los mandos y conexiones tiene que ser fácil.
 - No coloque el equipo en lugares estrechos.
 - No coloque nunca el equipo sobre una superficie con una inclinación superior a 10° respecto del plano horizontal.
 - Coloque el equipo en un lugar seco, limpio y con ventilación apropiada.
 - Proteja la instalación de la lluvia y del sol.
- » Consulte la sección "Prevención durante el uso de las botellas de gas".

3.3 Conexión



El equipo incluye un cable de alimentación para la conexión a la red.

El equipo puede alimentarse con:

- 115V monofásica
- 230V monofásica

El funcionamiento del equipo está garantizado para tensiones que se alejan de hasta el $\pm 15\%$ del valor nominal.



Para evitar daños a las personas o a la instalación, es necesario controlar la tensión de red seleccionada y los fusibles ANTES de conectar la máquina a la red. Compruebe también que el cable esté conectado a una toma con contacto de tierra.



Es posible alimentar el equipo mediante un grupo electrógeno, siempre que garantice una tensión de alimentación estable entre el $\pm 15\%$ respecto del valor de la tensión nominal declarado por el fabricante, en todas las condiciones de funcionamiento posibles y con la máxima potencia suministrable por el generador nominal. Por lo general, se aconseja utilizar grupos electrógenos de potencia con el doble de potencia de la fuente de alimentación si es monofásica, y equivalente a 1,5 veces si es trifásica. Se aconseja la utilización de grupos electrógenos con controlador electrónico.



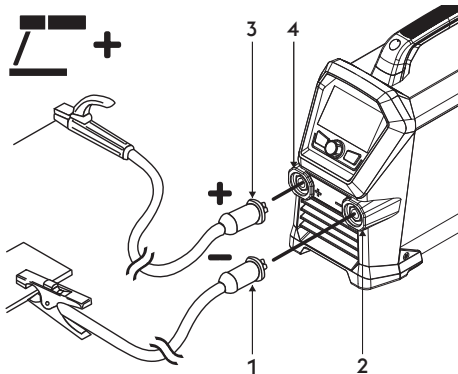
Para la protección de los usuarios, el equipo debe estar correctamente conectado a tierra. El cable de alimentación cuenta con un conductor (amarillo - verde) para la puesta a tierra, que debe ser conectarse a una clavija con contacto de tierra. NUNCA use el cable amarillo/verde junto con otro cable para tomar la corriente. Compruebe que el equipo disponga de conexión a tierra y que las tomas de corriente estén en buenas condiciones. Instale sólo enchufes homologados de acuerdo con las normativas de seguridad.



La instalación eléctrica debe efectuarla personal técnico con requisitos técnico profesionales específicos y de conformidad con las leyes del país en el cual se efectúa la instalación.

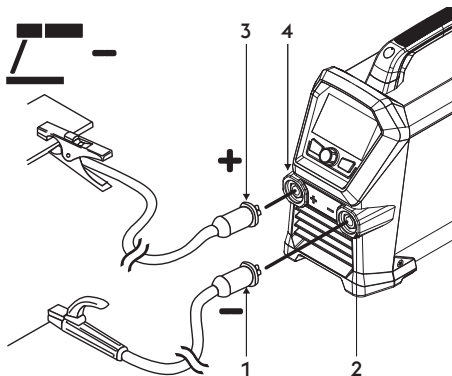
3.4 Instalación

3.4.1 Conexión para la soldadura MMA



- 1 Conector de la pinza de masa
- 2 Toma negativa de potencia (-)
- 3 Conector de la pinza portaelectrodos
- 4 Toma positiva de potencia (+)

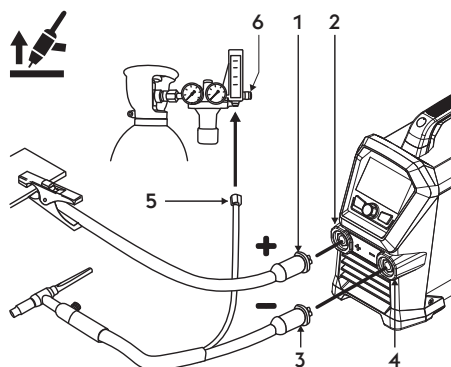
- ▶ Conecte el conector del cable de la pinza de masa a la toma negativa (-) del generador. Inserte la clavija y gire hacia la derecha que todas las piezas queden fijadas.
- ▶ Conecte el conector del cable de la pinza portaelectrodo a la toma positiva (+) del generador. Inserte la clavija y gire hacia la derecha que todas las piezas queden fijadas.



- 1 Conector de la pinza portaelectrodos
- 2 Toma negativa de potencia (-)
- 3 Conector de la pinza de masa
- 4 Toma positiva de potencia (+)

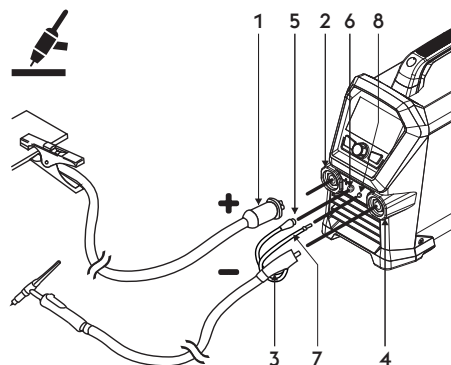
- ▶ Conecte el conector del cable de la pinza portaelectrodos a la toma negativa (-) del generador. Inserte la clavija y gire hacia la derecha que todas las piezas queden fijadas.
- ▶ Conecte el conector del cable de la pinza de masa a la toma positiva (+) del generador. Inserte la clavija y gire hacia la derecha que todas las piezas queden fijadas.

3.4.2 Conexión para la soldadura TIG



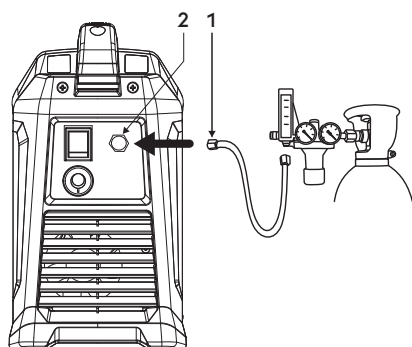
- 1 Conector de la pinza de masa
- 2 Toma positiva de potencia (+)
- 3 Conexión de la antorcha TIG
- 4 Toma negativa de potencia (-)
- 5 Conector de tubería de gas
- 6 Reductor de presión

- ▶ Conecte el conector del cable de la pinza de masa a la toma positiva (+) del generador. Inserte la clavija y gire hacia la derecha que todas las piezas queden fijadas.
- ▶ Conecte la unión de la antorcha TIG a la toma de la antorcha del generador. Inserte la clavija y gire hacia la derecha que todas las piezas queden fijadas.
- ☞ Puede ajustar el flujo de gas de protección con la llave situada normalmente sobre la antorcha.
- ▶ Conecte por separado el conector del tubo de gas de la antorcha a la distribución del gas.



- 1 Conector de la pinza de masa
- 2 Toma positiva de potencia (+)
- 3 Conexión de la antorcha TIG
- 4 Toma de antorcha
- 5 Cable de señal de antorcha
- 6 Conectore
- 7 Tubo de gas antorcha
- 8 Conexión-uni6n

- ▶ Conecte el conector del cable de la pinza de masa a la toma positiva (+) del generador. Inserte la clavija y gire hacia la derecha que todas las piezas queden fijadas.
- ▶ Conecte el conector de la antorcha TIG a la toma negativa (-) del generador. Inserte la clavija y gire hacia la derecha que todas las piezas queden fijadas.
- ▶ Conecte el cable de se1al de la antorcha al conector apropiado.
- ▶ Connecter le tuyau gaz de la torche à la connexion appropriée.

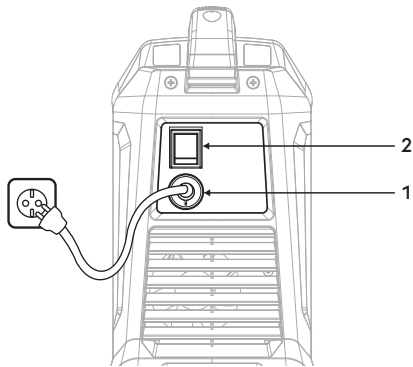


- 1 Tubo de gas
- 2 Racor de gas posterior

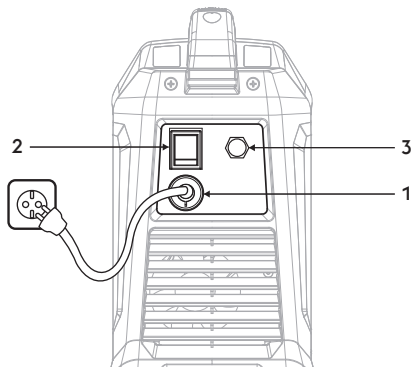
- ▶ Conecte el tubo de gas que proviene de la botella al racor de gas posterior. Ajuste el flujo de gas de 5 a 15 l/min.

4. PRESENTACIÓN DEL SISTEMA

4.1 Panel posterior

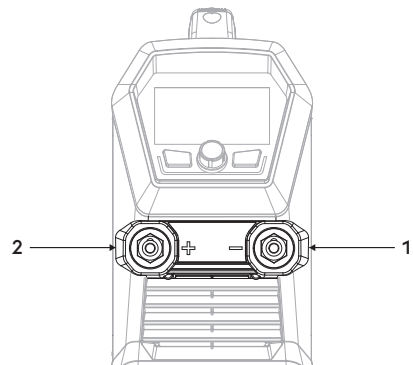


- 1 **Cable de alimentación.**
Conecta el sistema a la red.
- 2 **Conmutador de activación**
Acciona el encendido eléctrico del equipo.
Tiene dos posiciones "O" desactivado; "I" activado.

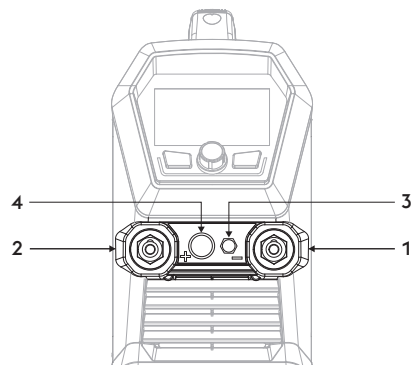


- 1 **Cable de alimentación.**
Conecta el sistema a la red.
- 2 **Conmutador de activación**
Acciona el encendido eléctrico del equipo.
Tiene dos posiciones "O" desactivado; "I" activado.
- 3 **Conexión de gas**

4.2 Panel de las tomas



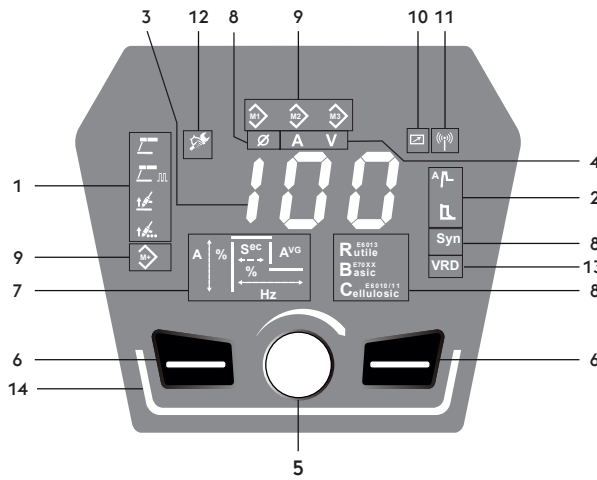
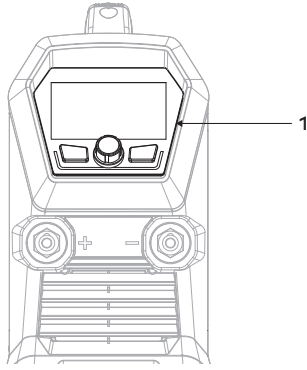
- 1 **Toma negativa de potencia (-)**
Proceso MMA: Conexión cable de tierra
Proceso TIG: Conexión de la antorcha
- 2 **Toma positiva de potencia (+)**
Proceso MMA: Conexión antorcha de electrodos
Proceso TIG: Conexión cable de tierra



- 1 **Toma negativa de potencia (-)**
Proceso MMA: Conexión cable de tierra
Proceso TIG: Conexión de la antorcha
- 2 **Toma positiva de potencia (+)**
Proceso MMA: Conexión antorcha de electrodos
Proceso TIG: Conexión cable de tierra
- 3 **Conexión de gas**
- 4 **Conexión botón de la antorcha**

4.3 Panel de mandos frontal

1 Panel de mandos frontal



1 **Sélecteur du procédé de soudage**
Permite la selección del procedimiento de soldadura.

- Proceso de soldadura MMA
- Proceso de soldadura MMA Pulsado
- Proceso de soldadura TIG LIFT
- Proceso de soldadura por puntos TIG LIFT

2 **Funciones**
Permiten seleccionar las diferentes funciones del equipo:

- Hot start
- Arc force

3 **888 Pantalla de 7 segmentos**
Permite que se visualicen los parámetros generales de soldadura de la máquina durante el arranque, los ajustes, las lecturas de corriente y tensión, durante la soldadura, y en la codificación de las alarmas.

4 **Sélecteur de mesures**
Permite ver la corriente o voltaje de soldadura real en la pantalla.

- A** Amperios
- V** Volts

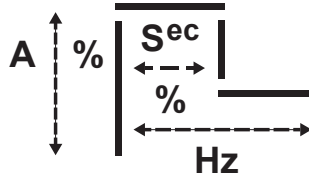
5 **Encoder**
Permite ajustar la corriente de soldadura de forma continua.

6  **Botones de función**

Permiten seleccionar las diferentes funciones del equipo:

7 **Parámetros de soldadura**

El gráfico del panel permite la selección y ajuste de los parámetros de soldadura.



ES

8 **Syn** Sinergia tipo de material


Permite seleccionar el modo de soldadura deseado.

 Sinergia del diámetro del electrodo


R^{E6013}
Rutile

B^{E70XX}
Basic

C^{E6010/11}
Cellulosic

9  **Memorizar programas**

Permite memorizar y gestionar 3 job personalizables por el usuario.

10  **Dispositivos externos (RC)**

11  **Dispositivos externos (wireless)**

12  **MIX AC/DC**

13 **VRD** VRD (Voltage Reduction Device)

Dispositivo de reducción de tensión

Permite reducir la tensión de salida dentro de los límites establecidos por la normativa para su uso en ambientes difíciles.

Función activa (Verde)

Por defecto: OFF (luz del icono apagada)

Comuníquese con el Departamento de Servicio para solicitar instrucciones de activación (eq-service@voestalpine.com).

14 **Barras LED**



Equipo encendido en espera (Blanco)

Equipo encendido y arco cebado (Verde)

Alarma de error en equipo (Rojo)

Alarma de advertencia en equipo (Naranja) (=25% ciclo de trabajo restante)

Equipo en configuración inalámbrica (Azul)

5. UTILIZACIÓN DEL EQUIPO

5.1 Pantalla principal



Pantalla principal

- Símbolo del proceso de soldadura
 - Proceso seleccionado (Verde).
 - Proceso disponible (Blanco).
- Símbolo de función
 - Función Activada (Blanco).
 - Selección y ajuste del parámetro deseado (Verde.)
- Sélecteur du procédé de soudage.
- Permiten ajustar los parámetros de soldadura. (pulse para desplazarse y seleccionar los parámetros que desea ajustar).
Permite ajustar la corriente de soldadura. (gire para cambiar el valor).

5.2 Pantalla principal del proceso MMA



Selección del proceso de soldadura

- Seleccione el proceso deseado pulsando el botón.
- Proceso seleccionado (Verde).
- Símbolo de función
 - Función Activada (Blanco).
 - Selección y ajuste del parámetro deseado (Verde.)
- Permiten ajustar los parámetros de soldadura. (pulse para desplazarse y seleccionar los parámetros que desea ajustar).
Permite ajustar la corriente de soldadura. (gire para cambiar el valor).

Corriente de soldadura

Mínimo	Máximo	Por defecto
20 A	I _{max}	100 A

Configuración de los parámetros: Hot start

- Seleccione el parámetro deseado pulsando la tecla encoder.
- Función seleccionada para el ajuste de parámetros (Verde).
- Regule el valor del parámetro seleccionado girando el encoder.

Parámetros de soldadura

- Iniciar corriente.
- Tiempo de inicio.

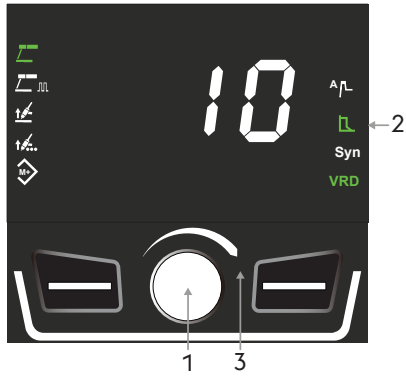
Iniciar corriente

Mínimo	Máximo	Por defecto
50%	200%	120%

Tiempo de inicio

Mínimo	Máximo	Por defecto
0s	3s	0.5s





Configuración de los parámetros: Arc force

1. Seleccione el parámetro deseado pulsando la tecla encoder.
2. Función seleccionada para el ajuste de parámetros (Verde).
3. Regule el valor del parámetro seleccionado girando el encoder.

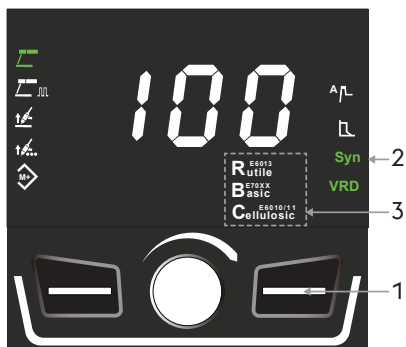
Parámetros de soldadura

Arc force

Mínimo	Máximo	Por defecto
-10	+10	0

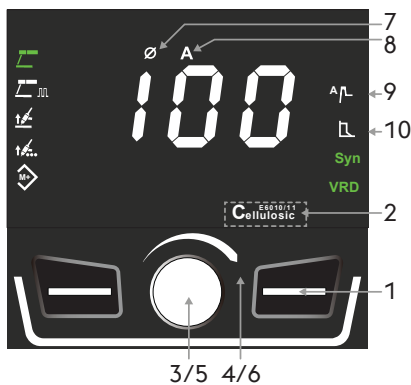
5.3 Selección de parámetros de sinergias

Función disponible solo con el proceso MMA.



Habilitación sinergia

1. Pulse y mantenga presionado el pulsador durante 3 segundos para activar las funciones de sinergia.
2. Función Activada (Verde).
3. Sinergia (Blanco).



Configuración de los parámetros

1. Seleccione el electrodo deseado mediante el pulsador
 - Ø: selección del diámetro activo.
 - Seleccione el diámetro deseado girando el encoder.
 - Transcurridos 3 segundos, vuelve a estar disponible el ajuste de la corriente de soldadura.
2. Seleccione el programa deseado pulsando la tecla..
3. Sinergia
4. Seleccione el parámetro del diámetro del electrodo pulsando el botón encoder.
5. Seleccione un valor de diámetro de electrodo girando el encoder.
 - Se cargará de forma automática una preselección de valores de parámetros de soldadura.

Los parámetros de soldadura pueden seguir regulándose:

6. Active el ajuste del parámetro deseado pulsando el botón encoder.
7. Regule el valor del parámetro seleccionado girando el encoder.

Parámetros de soldadura

8. Sinergia del diámetro del electrodo.
9. Corriente de soldadura.
10. Hot start.
11. Arc force.

ES

Electrodo de rutilo

Diámetro	Corriente de soldadura	Hot start	Arc force
2.0	40A	100% 0s	-5
2.5	60A	100% 0s	-5
3.2	100A	100% 0s	-5
4.0	135A	100% 0s	-5

Tabla de valores por defecto

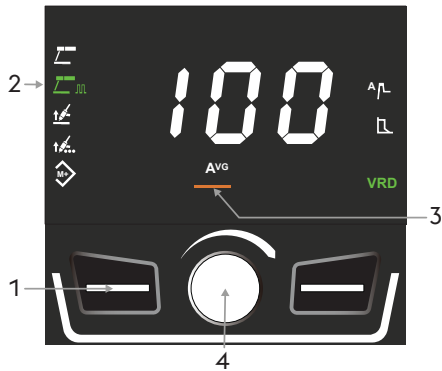
Electrodos básico

Diámetro	Corriente de soldadura	Hot start	Arc force
2.0	65A	120% 0,5s	3
2.5	90A	120% 0,5s	3
3.2	130A	120% 0,5s	3
4.0	160A	120% 0,5s	3

Electrodos celulósico

Diámetro	Corriente de soldadura	Hot start	Arc force
2.0	55A	120% 0,5s	7
2.5	75A	120% 0,5s	7
3.2	110A	120% 0,5s	7
4.0	130A	120% 0,5s	7

5.4 Pantalla principal del proceso MMA Pulsado

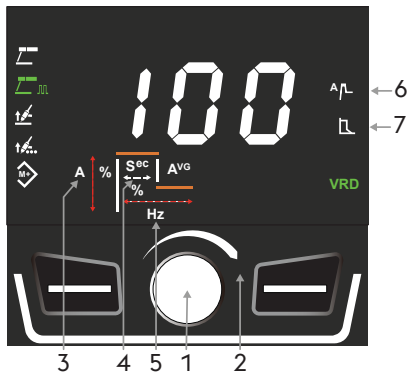


Selección del proceso de soldadura

1. Seleccione el proceso deseado pulsando el botón.
2. Proceso seleccionado (Verde).
3. Corriente de soldadura (valor medio).
4. Permite ajustar la corriente de soldadura.

Corriente de soldadura

Mínimo	Máximo	Por defecto
20 A	I _{max}	100 A



Configuración de los parámetros

1. Active la regulación del parámetro seleccionado pulsando la tecla encoder.
2. Regule el valor del parámetro seleccionado girando el encoder.

Parámetros de soldadura

3. Tipos de corriente.
4. Duty cycle.
5. Frecuencia de impulsos.
6. Hot start.
7. Arc force.

Tipos de corriente

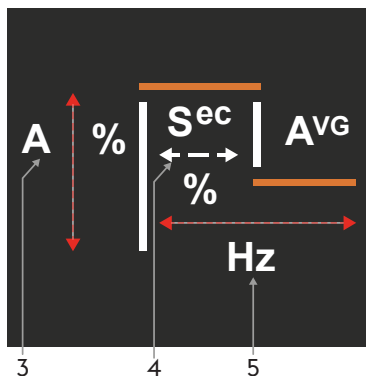
Mínimo	Máximo	Por defecto
100%	260%	140%

Duty cycle

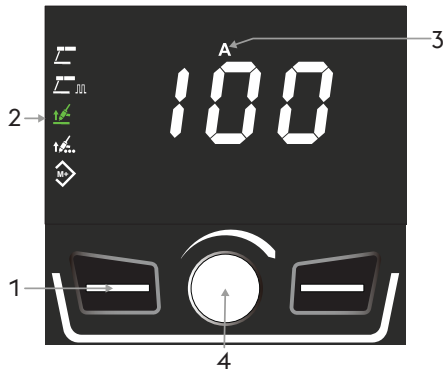
Mínimo	Máximo	Por defecto
10%	90%	50%

Frecuencia de impulsos

Mínimo	Máximo	Por defecto
0.2Hz	5Hz	0.2Hz



5.5 Pantalla principal del proceso TIG Lift



Selección del proceso de soldadura

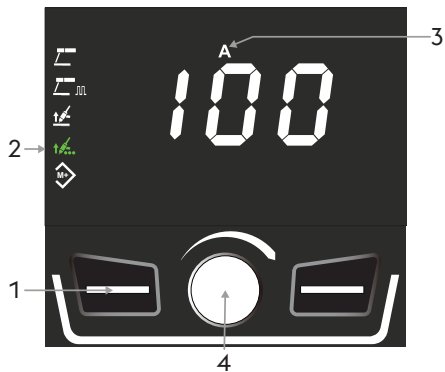
1. Seleccione el proceso deseado pulsando el botón.
2. Proceso seleccionado (Verde).
3. Corriente de soldadura.
4. Permite ajustar la corriente de soldadura.

Corriente de soldadura

Mínimo	Máximo	Por defecto
10 A	I _{max}	100 A

Para la configuración de los parámetros, consulte el capítulo configuración.

5.6 Pantalla principal del proceso por puntos TIG LIFT

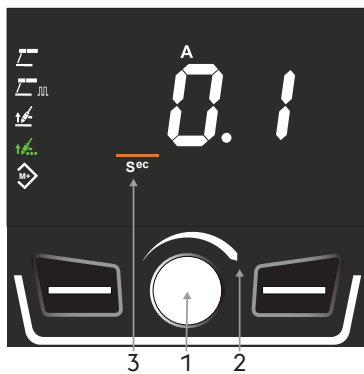


Selección del proceso de soldadura

1. Seleccione el proceso deseado pulsando el botón.
2. Proceso seleccionado (Verde).
3. Corriente de soldadura.
4. Permite ajustar la corriente de soldadura.

Corriente de soldadura

Mínimo	Máximo	Por defecto
10 A	I _{max}	100 A



Configuración de los parámetros

1. Active la regulación del parámetro seleccionado pulsando la tecla encoder.
2. Regule el valor del parámetro seleccionado girando el encoder.

Parámetros de soldadura

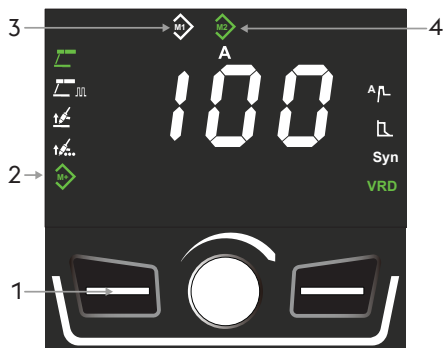
3. Tiempo de soldadura.

Tiempo de soldadura

Mínimo	Máximo	Por defecto
0s	60s	0,5s

Para la configuración de los parámetros, consulte el capítulo configuración.

5.7 Pantalla de programas (JOB POINT)



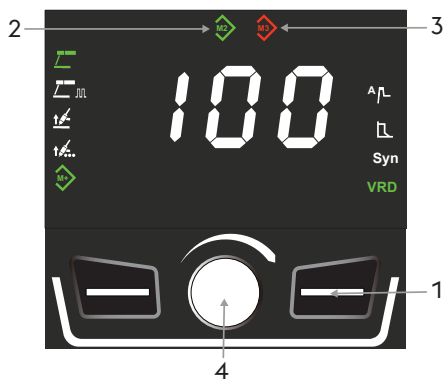
Pantalla principal

1. Pulse y mantenga presionado el pulsador durante 3 segundos.
2. Función Activada (Verde).
3. Memoria vacía (Blanco).
4. Programa memorizado (Verde).



Memorizar programas

1. Seleccione el slot de memoria deseado pulsando el botón.
2. Memoria vacía (Blanco).
3. Para almacenar los parámetros de soldadura, pulse el botón encoder (3 segundos). El color del icono del slot de memoria cambiará de blanco a verde.



Recuperar programas

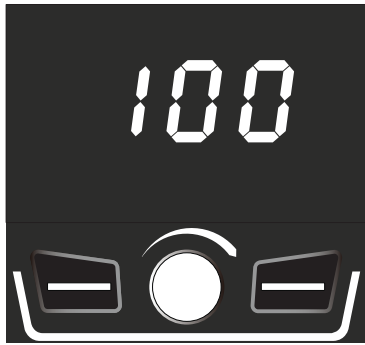
1. Seleccione el programa deseado pulsando la tecla..
2. Programa memorizado (Verde).
3. La modificación de los parámetros de soldadura o el cambio del proceso de soldadura se indica al cambiar a rojo el color del icono del slot de memoria.
4. Pulse el botón encoder hasta que el icono del slot vuelve a verde para restablecer los parámetros iniciales almacenados (3 segundos).



Eliminación de un programa

1. Seleccione el programa deseado pulsando la tecla..
2. Programa memorizado (Verde).
3. Elimine el trabajo pulsando el botón encoder hasta que el icono del slot se vuelve blanco (3 segundos.)

5.8 Barra led



Barra led luz blanca

- ▶ Indica la presencia de tensión en las tomas de salida del equipo.
- ▶ Equipo listo para soldar.



Barra led luz verde

- ▶ Indica equipo encendido y arco cebado.



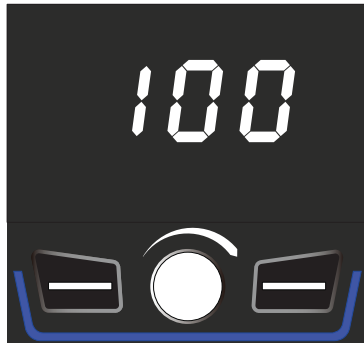
Barra led luz roja

- ▶ Indica la posible intervención de dispositivos de protección como la protección de temperatura..



Barra led luz naranja

- ▶ Indica que el equipo que está soldando ha alcanzado el 75% de su ciclo de trabajo.
- ☞ Se recomienda interrumpir momentáneamente la soldadura para que no se active la alarma térmica del equipo.



Barra led luz azul


- ▶ Indica que el equipo está conectado a un dispositivo inalámbrico.

5.9 Mantenimiento adaptativo



Mantenimiento adaptativo

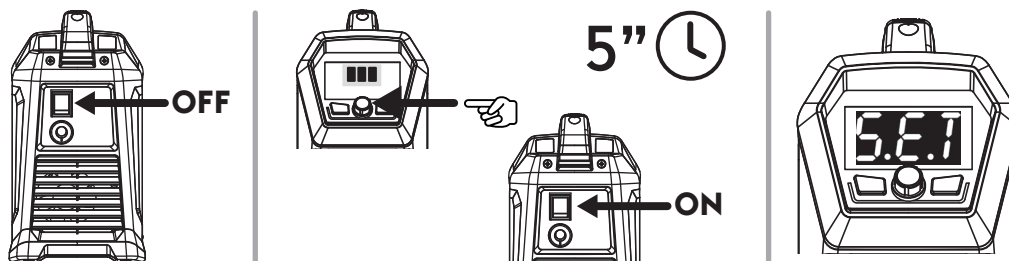
- ▶ Indica que el equipo ya ha funcionado con el arco encendido durante una cantidad congruente de horas.

 Se aconseja hacer el mantenimiento ordinario.
Consulte la sección "Configuración" en el manual de su generador.

6. CONFIGURACIÓN

Permite la configuración y el ajuste de una serie de parámetros adicionales para garantizar un mejor y más preciso control del sistema de soldadura.

Entrada a la configuración



- ▶ Apague el generador poniendo el interruptor en "0".
- ▶ Encienda el generador mientras mantiene pulsado el botón encoder.
- ▶ Mantenga pulsado el botón encoder durante 5 seg.
- ▶ La entrada será confirmada con un SET en la pantalla.

Selección y ajuste del parámetro deseado

- ▶ El parámetro se selecciona girando el encoder hasta visualizar el código numérico relativo al parámetro deseado.
- ▶ Si pulsa la tecla encoder en este momento, podrá ver y ajustar el valor definido para el parámetro seleccionado.

Salida de la "configuración"

- ▶ Para salir de la configuración, pulse el botón encoder durante 5 segundos.

6.9.1 Lista de los parámetros de configuración (TIG)

Pog Post-gas

Permite ajustar el flujo de gas al final de la soldadura.

Mínimo	Máximo	Por defecto
0 s	20.0 s	6.0 s

A1 Corriente inicial (%-A)

Permite regular la corriente de inicio de soldadura.

Permite obtener un baño de soldadura con algo de calor en las fases inmediatamente posteriores al inicio.

Mínimo	Máximo	Por defecto
10 %	200 %	25 %

t1 Tiempo de la corriente inicial

Permite ajustar el tiempo en el cual se mantiene la corriente inicial.

Mínimo	Máximo	Por defecto
0 s	10 s	0.2 s

t uP Rampa de subida

Permite configurar un paso gradual entre la corriente inicial y la corriente de soldadura.

Mínimo	Máximo	Por defecto
0 s	10.0 s	0.5 s

t dn Rampa bajada

Permite configurar un paso gradual entre la corriente de soldadura y la corriente final.

Mínimo	Máximo	Por defecto
0s	3s	0.5s

A2 Corriente final (%-A)

Permite ajustar la corriente final.

Mínimo	Máximo	Por defecto
10 %	200 %	25 %

t 2 Tiempo de la corriente final

Permite ajustar el tiempo en el cual se mantiene la corriente final.

Mínimo	Máximo	Por defecto
0 s	10.0 s	0.2 s

SPo Soldadura por puntos

Permite activar el proceso de "soldadura por puntos" y establecer el tiempo de soldadura.

Permite la temporización del proceso de soldadura.


AcT siempre activo

 Descripción del funcionamiento con electroválvula de gas.

Cuando utilice un modelo con llave de gas externa, la válvula de gas debe abrirse manualmente.

- ▶ Toque la pieza a soldar con el electrodo para iniciar la fase de pregas.
- ▶ Cebado del arco en modo lift. Al levantar la antorcha de la pieza se produce el cebado del arco.
- ▶ El arco permanece activo durante el tiempo predeterminado.

2T 2 Tiempos

 Descripción del funcionamiento con electroválvula de gas.

Cuando utilice un modelo con llave de gas externa, la válvula de gas debe abrirse manualmente.

- ▶ Toque la pieza a soldar con el electrodo.
- ▶ Cuando se presiona el pulsador de la antorcha, se produce el pregas.
- ▶ Cebado del arco en modo lift. Al levantar la antorcha de la pieza se produce el cebado del arco.
- ▶ El arco permanece activo durante el tiempo predeterminado.

Mínimo	Máximo	Por defecto
0.1 s	60.0 s	0.5 s

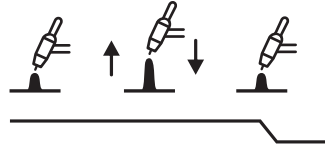
trt Trigger Tig

AcT siempre activo

 Descripción del funcionamiento con electroválvula de gas.

Cuando utilice un modelo con llave de gas externa, la válvula de gas debe abrirse manualmente.

- ▶ Toque la pieza a soldar con el electrodo para iniciar la fase de pregas.
- ▶ Cebado del arco en modo lift. Al levantar la antorcha de la pieza se produce el cebado del arco.
- ▶ Al hacer fluctuar la antorcha el arco se apaga mientras que el gas sigue saliendo durante el tiempo de posgas.



2T 2 Tiempos

 Descripción del funcionamiento con electroválvula de gas.

Cuando utilice un modelo con llave de gas externa, la válvula de gas debe abrirse manualmente.

- ▶ Toque la pieza a soldar con el electrodo.
- ▶ Cuando se presiona el pulsador de la antorcha, se produce el pregas.
- ▶ Cebado del arco en modo lift. Al levantar la antorcha de la pieza se produce el cebado del arco.
- ▶ Soltando el pulsador se obtiene el apagado del arco y el gas sigue fluyendo durante el tiempo de post-gas.

4T 4 Tiempos

 Descripción del funcionamiento con electroválvula de gas.

Cuando utilice un modelo con llave de gas externa, la válvula de gas debe abrirse manualmente.

- ▶ Toque la pieza a soldar con el electrodo.
- ▶ Presione el pulsador de la antorcha para iniciar la fase de pregas.
- ▶ Cebado del arco en modo lift. Al levantar la antorcha de la pieza se produce el cebado del arco con las dinámicas predeterminadas. Al soltar el pulsador de la antorcha, el arco se mantiene activo.
- ▶ Si se suelta al pulsador antes de que se complete la dinámica se provoca la extinción inmediata del arco.
- ▶ Al presionar el pulsador por segunda vez, el arco se apaga con la dinámica de apagado del arco, mientras que el gas sigue saliendo durante el tiempo posgas.
- ▶ Si se suelta al pulsador antes de que termine la secuencia de apagado se provoca la extinción inmediata del arco.

6.9.2 Lista de los parámetros de configuración (configuración del equipo)

di5 Tipo de medida

Permite configurar la lectura de la corriente o la tensión de soldadura en la pantalla.

Hod Hold Last Parameter

Si está activo, los valores de los últimos parámetros de soldadura se mostrarán en la pantalla durante cinco segundos después de apagar el arco.

Fn Menú de configuración del equipo

Permite acceder al menú de configuración del equipo.

- ▶ Pulse el botón encoder para acceder al submenú.
- ▶ Gire el encoder para seleccionar la configuración deseada.
- ▶ Pulse el botón encoder para confirmar.
- ▶ Estas son las configuraciones disponibles.

F1 Configuración del sistema

Configuración del sistema: F1

- Proceso de soldadura MMA
- Proceso de soldadura TIG LIFT
- Función Activada: Hot start
- Función Activada: Arc force

F2 Configuración del sistema

Configuración del sistema: F2

- Proceso de soldadura MMA
- Proceso de soldadura TIG LIFT
- Proceso de soldadura por puntos TIG LIFT
- Función Activada: Hot start
- Función Activada: Arc force

F3 Configuración del sistema

Configuración del sistema: F3

- Proceso de soldadura MMA
- Proceso de soldadura TIG LIFT
- Proceso de soldadura por puntos TIG LIFT
- Función Activada: Hot start
- Función Activada: Arc force
- Función Activada: Sinergia

F4 Configuración del sistema

Configuración del sistema: F4

- Proceso de soldadura MMA
- Proceso de soldadura MMA Pulsado
- Proceso de soldadura TIG LIFT
- Proceso de soldadura por puntos TIG LIFT
- Función Activada: Hot start
- Función Activada: Arc force
- Función Activada: Sinergia

F5 Configuración del sistema

Configuración del sistema: F5

- Proceso de soldadura MMA
- Proceso de soldadura MMA Pulsado
- Proceso de soldadura TIG LIFT
- Proceso de soldadura por puntos TIG LIFT
- Función Activada: Hot start
- Función Activada: Arc force
- Función Activada: Programas (JOB POINT)
- Función Activada: Sinergia

SLP Sleep

Si está activo, tras el tiempo seleccionado en segundos de inactividad, el equipo pasa al modo apagado.

Fije un valor de tiempo comprendido en el rango

Valeur	Tiempo de inactividad
OFF	No activo
180	180s
300	300s
600	600s
900	900s

Sei Mantenimiento adaptativo

Si está activo, al encenderse la luz del símbolo de mantenimiento en la pantalla indica que se recomienda hacer el mantenimiento.

Consulte la sección "Configuración" en el manual de su generador.

Valeur	Fonction
OFF	No activo
ON	Activo
RST	Reset

r5t Reset

Permite recuperar los valores por defecto de todos los parámetros.

- ▶ Pulse el botón encoder para iniciar el procedimiento.
- ▶ Gire el encoder hasta el valor: ON
- ▶ Pulse el botón de función derecho durante 5 segundos.

7. MANTENIMIENTO



Efectúe el mantenimiento ordinario del equipo según las indicaciones del fabricante. Cuando el equipo esté funcionando, todas las puertas de acceso y de servicio y las tapas tienen que estar cerradas y fijadas perfectamente. El equipo no debe ser modificado. Procure que no se forme polvo metálico en proximidad y cerca o encima de las aletas de ventilación.



El mantenimiento debe efectuarlo personal cualificado. La reparación o la sustitución de componentes del sistema por parte de personal no autorizado provoca la caducidad inmediata de la garantía del producto. La reparación o sustitución de componentes del equipo debe ser hecha realizarla personal técnico cualificado.



¡Antes de cada operación, desconecte el equipo!

7.1 Controles periódicos de la fuente de alimentación

7.1.1 Equipo



Limpie el interior con aire comprimido a baja presión y con pinceles de cerdas suaves. Compruebe las conexiones eléctricas y todos los cables de conexión.

7.1.2 Para el mantenimiento o la sustitución de los componentes de las antorchas, de la pinza portaelectrodo y/o de los cables de masa:



Controle la temperatura de los componentes y compruebe que no estén sobrecalentados.



Utilice siempre guantes conformes a las normativas.



Use llaves y herramientas adecuadas.

7.2 Responsabilidad



La carencia de este mantenimiento, provocará la caducidad de todas las garantías y el fabricante se considerará exento de toda responsabilidad. Si el operador no respetara las instrucciones descritas, el fabricante declina cualquier responsabilidad. Si tuviera dudas y/o problemas no dude en consultar al centro de asistencia técnica más cercano.

8. CODIFICACIÓN DE ALARMAS



ALARMA






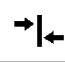



La activación de una alarma o la superación de un límite de seguridad crítico provoca una señal visual en el panel de mandos y el bloqueo inmediato de las operaciones de soldadura.



ATENCIÓN

Si se supera un límite de protección, se activa una señal visual en el panel de mandos, pero es posible continuar con las operaciones de soldadura.

A continuación se enumeran todas las alarmas y todos los límites de protección relativos al sistema.

 E01	Exceso de temperatura		 E05	Sobrecorriente	
 E13	Error de comunicación		 E36	Pulsador de la antorcha presionado durante el encendido del equipo	
 E50	Alambre pegado (Automatización y robótica)				

9. DIAGNÓSTICO Y SOLUCIÓN DE PROBLEMAS

El equipo no se enciende

Causa	Solución
» No hay tensión de red en la toma de alimentación.	» Compruebe y repare la instalación eléctrica. » Consulte con personal experto.
» Enchufe o cable de alimentación averiado.	» Sustituya el componente averiado. » Contacte con el centro de asistencia más cercano para la reparación del sistema.
» Fusible de línea quemado.	» Sustituya el componente averiado.
» Conmutador de alimentación averiado.	» Sustituya el componente averiado. » Contacte con el centro de asistencia más cercano para la reparación del sistema.
» Electrónica averiada.	» Contacte con el centro de asistencia más cercano para la reparación del sistema.

Falta de potencia de salida (el sistema no suelda)

Causa	Solución
» Botón de la antorcha averiado.	» Sustituya el componente averiado. » Contacte con el centro de asistencia más cercano para la reparación del sistema.
» Equipo sobrecalentado (alarma térmica - barra LED roja).	» Espere a que se enfríe el sistema desactivarlo.
» Conexión de masa incorrecta.	» Conecte correctamente la masa. » Consulte el párrafo "Instalación".
» Electrónica averiada. (Equipo en espera - barra LED blanca)	» Contacte con el centro de asistencia más cercano para la reparación del sistema.

Suministro de potencia incorrecto

Causa	Solución
» Selección incorrecta del proceso de soldadura o selector averiado.	» Seleccione correctamente el proceso de soldadura.
» Configuraciones incorrectas de los parámetros y de las funciones de la instalación.	» Reinicie el sistema y vuelva a configurar los parámetros de soldadura.
» Potenciómetro/encoder para el ajuste de la corriente de soldadura averiado.	» Sustituya el componente averiado. » Contacte con el centro de asistencia más cercano para la reparación del sistema.
» Tensión de red fuera de rango.	» Conecte correctamente el equipo. » Consulte el párrafo "Conexiones".
» Electrónica averiada.	» Contacte con el centro de asistencia más cercano para la reparación del sistema.

10. INSTRUCCIONES DE USO

10.1 Soldaduras con electrodo recubierto (MMA)

Preparación de los bordes

Para obtener buenas soldaduras es recomendable trabajar sobre piezas limpias, no oxidadas, sin herrumbre ni otros agentes contaminadores.

Elección del electrodo

El diámetro del electrodo que se ha de emplear depende del espesor del material, de la posición, del tipo de unión y del tipo de preparación de la pieza a soldar.

Los electrodos de mayor diámetro requieren corrientes muy elevadas y en consecuencia una mayor aportación térmica en la soldadura.

Tipo de revestimiento	Propiedades	Uso
Rútilo	Facilidad de uso	Todas las posiciones
Ácido	Alta velocidad de fusión	Plano
Básico	Alta calidad de la unión	Todas las posiciones
Celulosico	Mayor penetración	Todas las posiciones

Elección de la corriente de soldadura

La gama de la corriente de soldadura relativa al tipo de electrodo utilizado está especificada por el fabricante en el mismo embalaje de los electrodos.

Encendido y mantenimiento del arco

El arco eléctrico se produce al frotar la punta del electrodo sobre la pieza a soldar conectada al cable de masa y, una vez encendido el arco, retirando rápidamente el electrodo hasta situarlo en la distancia de soldadura normal.

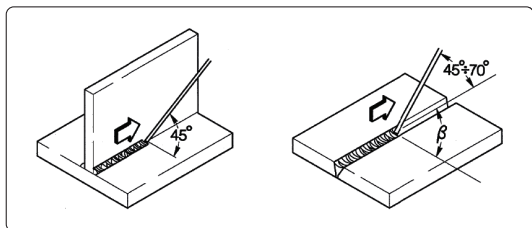
Para mejorar el encendido del arco es útil, en general, un incremento inicial de corriente respecto a la corriente base de soldadura (Hot Start).

Una vez que se ha producido el arco eléctrico, empieza la fusión de la parte central del electrodo que se deposita en forma de gotas en la pieza a soldar.

El revestimiento externo del electrodo se consume, suministrando así el gas de protección para la soldadura y garantizando su buena calidad.

Para evitar que las gotas de material fundido, apaguen el arco al provocar un cortocircuito y pegarse el electrodo al baño de soldadura, debido a su proximidad, se produce un aumento provisional de la corriente de soldadura para fundir el cortocircuito (Arc Force).

Si el electrodo quedara pegado a la pieza por a soldar es útil reducir al mínimo la corriente de cortocircuito (antisticking).



Ejecución de la soldadura

El ángulo de inclinación del electrodo cambia según el número de pasadas; el movimiento del electrodo se realiza normalmente con oscilaciones y paradas a los lados del cordón para evitar la excesiva acumulación del material de aportación en la parte central.

Retirar la escoria

La soldadura mediante electrodos recubiertos obliga a retirar la escoria tras cada pasada.

La limpieza se efectúa mediante un pequeño martillo o mediante cepillo en caso de escoria fría.

10.2 Soldadura TIG (arco continuo)

Descripción

El proceso de soldadura TIG (Tungsten Inert Gas) se basa en la presencia de un arco eléctrico que se forma entre un electrodo infusible (de tungsteno puro o en aleación, con una temperatura de fusión de aproximadamente 3370°C) y la pieza; una atmósfera de gas inerte (argón) asegura la protección del baño.

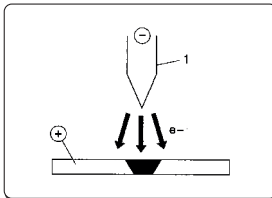
Para evitar inserciones peligrosas de tungsteno en la unión, el electrodo jamás tiene que entrar en contacto con la pieza a soldar; por ello, la fuente de alimentación de soldadura dispone normalmente de un dispositivo de encendido del arco que genera una descarga de alta frecuencia y alta tensión entre la punta del electrodo y la pieza a soldar. Así, gracias a la chispa eléctrica, al ionizarse la atmósfera del gas se enciende el arco de soldadura sin que haya contacto entre el electrodo y la pieza a soldar.

Existe también otro tipo de inicio, con menos inclusiones de tungsteno: el inicio en lift que no necesita alta frecuencia, sino sólo de una situación inicial de un cortocircuito de baja corriente entre el electrodo y la pieza; en el momento en que se levanta el electrodo se establece el arco, y la corriente aumenta hasta el valor de soldadura introducido.

Para mejorar la calidad de la parte final del cordón de soldadura es útil poder controlar con exactitud el descenso de la corriente de soldadura y es necesario que el gas fluya en el baño de soldadura durante unos segundos después de la extinción del arco.

En muchas condiciones de trabajo es útil poder disponer de 2 corrientes de soldadura programadas previamente y poder pasar fácilmente de una a otra (Bilevel).

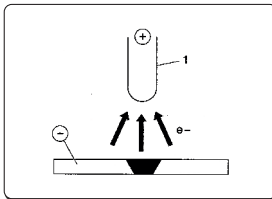
Polaridad de soldadura



D.C.S.P. (Direct Current Straight Polarity)

Es la polaridad más utilizada (polaridad directa), permite un reducido desgaste del electrodo (1) puesto que el 70% del calor se concentra sobre el ánodo (es decir, sobre la pieza).

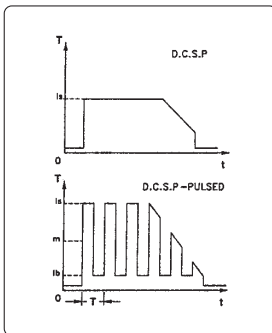
Se obtienen baños estrechos y hondos con elevada velocidad de avance y, en consecuencia, con baja aportación térmica.



D.C.R.P. (Direct Current Reverse Polarity)

La polaridad invertida permite la soldadura de aleaciones recubiertas por una capa de óxido refractario con temperatura de fusión superior a la del metal.

No se pueden utilizar corrientes elevadas, puesto que éstas producirían un elevado desgaste del electrodo.



D.C.S.P.-Pulsed (Direct Current Straight Polarity Pulsed)

La utilización de una corriente directa intermitente permite un mejor control del baño de soldadura en determinadas condiciones de trabajo.

El baño de soldadura se forma por los impulsos de punta (I_p), mientras que la corriente de base (I_b) mantiene el arco encendido. Esta solución facilita la soldadura de pequeños espesores con menores deformaciones, un mejor factor de forma y consiguiente menor peligro de agrietamiento en caliente y de inclusiones gaseosas.

Al aumentar la frecuencia (media frecuencia) se obtiene un arco más estrecho, más concentrado y más estable y una ulterior mejora de la calidad de la soldadura de espesores delgados.

Características de las soldaduras TIG

El procedimiento TIG es muy eficaz en la soldadura de aceros, tanto al carbono como aleaciones, para la primera pasada sobre tubos y en las soldaduras que deben presentar un aspecto estético excelente.

Se requiere la polaridad directa (D.C.S.P.).

Preparación de los bordes

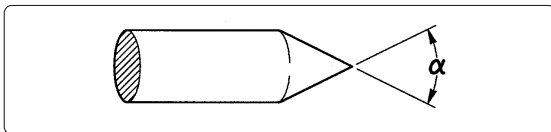
El procedimiento requiere una cuidadosa limpieza y preparación de los bordes.

Elección y preparación del electrodo

Se aconseja usar electrodos de cerio o de lantano, como alternativa, electrodos de óxidos mixtos de tierras raras con los siguientes diámetros:

Gama de corriente			Electrodo	
(DC-)	(DC+)	(AC)	Ø	α
3-20 A	-	3-20 A	0,5 mm	30°
15-80 A	-	20-30 A	1,0 mm	30-60°
70-150 A	10-20 A	30-80 A	1,6 mm	60-90°
150-250 A	15-30 A	60-130 A	2,4 mm	90-120°
250-400 A	25-40 A	100-180 A	3,2 mm	120-150°
400-500 A	40-55 A	160-240 A	4,0 mm	150-180°
500-750 A	55-80 A	190-300 A	4,8 mm	150-180°
750-1100 A	80-125 A	325-450 A	6,4 mm	150-180°

El electrodo debe estar afilado de la forma mostrada en la figura.



Material de aportación

Las varillas de aportación deben tener unas propiedades mecánicas similares a las del material de base.

No utilice trozos extraídos del material de base, puesto que pueden afectar negativamente a las soldaduras mismas.

Gas de protección

Prácticamente se utiliza siempre el argón puro (99.99%).

Gama de corriente			Gas	
(DC-)	(DC+)	(AC)	Boquilla	Flujo
3-20 A	-	3-20 A	n° 4	5-6 l/min
15-80 A	-	20-30 A	n° 5	6-8 l/min
70-150 A	10-20 A	30-80 A	n° 6	7-10 l/min
150-250 A	15-30 A	60-130 A	n° 7	8-12 l/min
250-400 A	25-40 A	100-180 A	n° 8	10-14 l/min
400-500 A	40-55 A	160-240 A	n° 8	12-16 l/min
500-750 A	55-80 A	190-300 A	n° 10	15-20 l/min
750-1100 A	80-125 A	325-450 A	n° 12	20-25 l/min

11. CARACTERÍSTICAS TÉCNICAS


Características eléctricas			
CORE 185 MMA			U.M.
Tensión de alimentación U1 (50/60 Hz)	1x115 (±15%)	1x230 (±15%)	Vac
Zmax (@PCC) *	658	658	mΩ
Fusible de línea retardado (MMA)	30	30	A
Fusible de línea retardado (TIG)	30	30	A
Tipo de comunicación	DIGITAL	DIGITAL	
Potencia máxima absorbida (MMA)	3.24	6.44	kVA
Potencia máxima absorbida (MMA)	2.68	5.1	kW
Potencia máxima absorbida (TIG)	3.24	6.44	kVA
Potencia máxima absorbida (TIG)	2.68	5.1	kW
Potencia absorbida en estado inactivo	30	30	W
Factor de potencia (PF) (MMA)	0.99	0.99	
Factor de potencia (PF) (TIG)	0.99	0.99	
Rendimiento (μ) (MMA)	87.2	90.3	%
Rendimiento (μ) (TIG)	83.8	86.6	%
Cos φ	0.99	0.99	
Corriente máxima absorbida I1max (MMA)	27	27	A
Corriente máxima absorbida I1max (TIG)	18	24.5	A
Corriente efectiva I1eff (MMA)	13.5	13.5	A
Gama de ajuste (MMA)	20-110	20-185	A
Gama de ajuste (TIG)	10-140	10-185	A
Tensión en vacío Uo (MMA)	76	76	Vdc
Tensión en vacío Uo (TIG)	76	76	Vdc
Tensión en vacío Ur (MMA)	15	15	Vdc
Tensión en vacío Ur (TIG)	15	15	Vdc
Ciclo de trabajo			
CORE 185 MMA			U.M.
Ciclo de trabajo TIG (40°C)	1x115	1x230	
(X=25%)	140	185	A
(X=60%)	90	120	A
(X=100%)	70	93	A
Ciclo de trabajo MMA (40°C)			
(X=25%)	110	185	A
(X=60%)	71	120	A
(X=100%)	55	93	A

Características físicas		U.M.
CORE 185 MMA		
Grado de protección IP	IP23S	
Clase de aislamiento	H	
Dimensiones (lxwxh)	429x172x316	mm
Peso	9.5	Kg
Sección cable de alimentación	3x2.5	mm ²
Longitud de cable de alimentación	3	m
Tipo de clavija	16A 250V Type F	
Ventilación	sí	
Normas de fabricación	EN IEC 60974-1/A1:2019 EN 60974-10/A1:2015	

** Este dispositivo cumple con los requisitos de la normativa EN / IEC 61000-3-11, si la máxima impedancia de red admitida en el punto de interacción con la red pública (punto de acoplamiento común - "point of common coupling", PCC) es inferior o igual al valor "Zmax" declarado. Si el dispositivo se conecta a la red pública de baja tensión, es responsabilidad del instalador o del usuario, consultando eventualmente al gestor de la red si es necesario, asegurarse de que el dispositivo se puede conectar.*

** Este dispositivo cumple con los requisitos de la Normativa EN / IEC 61000-3-12.*

12. PLACA DE DATOS



voestalpine Böhler Welding
 Arc Technology s.r.l.
 Via Palledio 19
 Onara (PD), Italy
 www.voestalpine.com/welding

CORE 185^{MMA}

Ser. no:

Designed in EU
Assembled in PRC

Par. no:


EVIDENCE OF TAMPERING VOIDS WARRANTY


	EN IEC 60974-1
	EN IEC 60974-10 Class A

20A/20.8V - 185A (110A) / 27.4V (24.4V)			
	X	25%	60%
S	$U_0 = 76V$	I_2	U_2
		185A (110A)	120A (71A) 93A (55A)
		27.4V (24.4V)	24.8V (22.8V) 23.7V (22.2V)

10A/10.4V - 185A (140A) / 17.4V (15.6V)			
	X	25%	60%
S	$U_0 = 76V$	I_2	U_2
		185A (140A)	120A (90A) 93A (70A)
		17.4V (15.6V)	14.8V (13.6V) 13.7V (12.8V)

$f_s >$	U, 230V (115V)	I _{max} , 27A (27A)	I _{cat} , 13.5A (13.5A)
1 ~ 50/60 Hz			
IP 23 S			

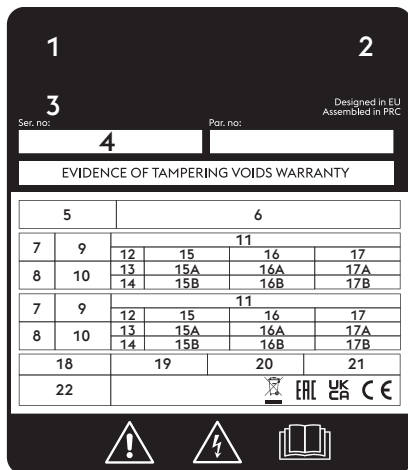




03.08.544

ES

13. SIGNIFICADO DE LA ETIQUETA DE LOS DATOS

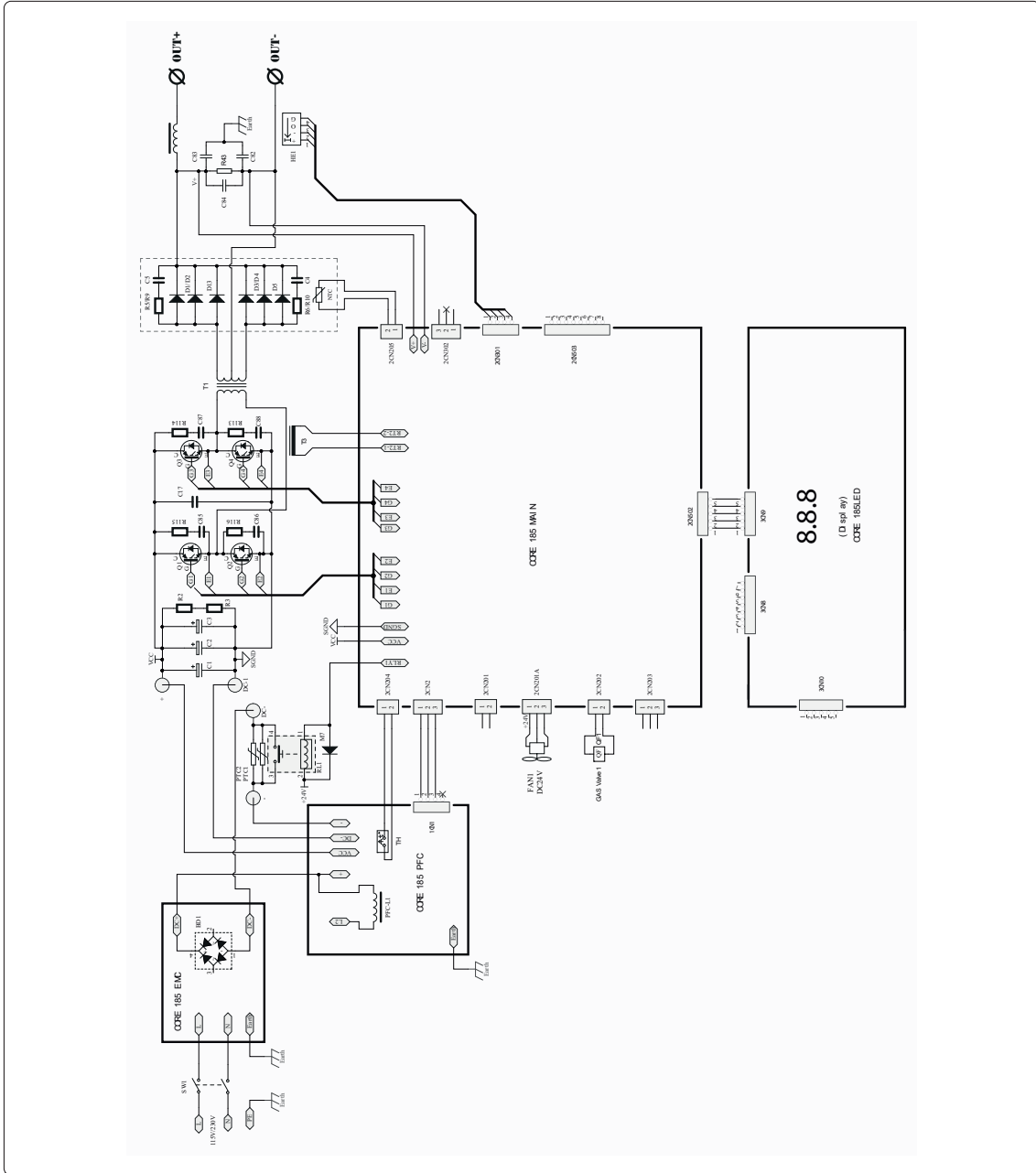


CE Declaración UE de conformidad
 EAC Declaración de conformidad EAC
 UKCA Declaración de conformidad UKCA

- 1 Marca de fabricación
- 2 Nombre y dirección del fabricante
- 3 Modelo del aparato
- 4 N° de serie
 XXXXXXXXXXXX Año de fabricación
- 5 Símbolo del tipo de la unidad de soldadura
- 6 Referencia a las normas de construcción
- 7 Símbolo del proceso de soldadura
- 8 Símbolo por las soldadoras para los equipos adecuados para trabajar en un entorno con riesgo elevado de descarga eléctrica
- 9 Símbolo de la corriente de soldadura
- 10 Tensión asignada a vacío
- 11 Gama de la corriente máxima y mínima, y de la correspondiente tensión convencional de carga
- 12 Símbolo del ciclo de trabajo
- 13 Símbolo de la corriente asignada de soldadura
- 14 Símbolo de la tensión asignada de soldadura
- 15 Valores del ciclo de trabajo
- 16 Valores del ciclo de trabajo
- 17 Valores del ciclo de trabajo
- 15A Valores de la corriente asignada de soldadura
- 16A Valores de la corriente asignada de soldadura
- 17A Valores de la corriente asignada de soldadura
- 15B Valores de la tensión convencional de carga
- 16B Valores de la tensión convencional de carga
- 17B Valores de la tensión convencional de carga
- 18 Símbolo de la alimentación
- 19 Tensión asignada de alimentación
- 20 Máxima corriente asignada de alimentación
- 21 Máxima corriente efectiva de alimentación
- 22 Grado de protección

14. ESQUEMA

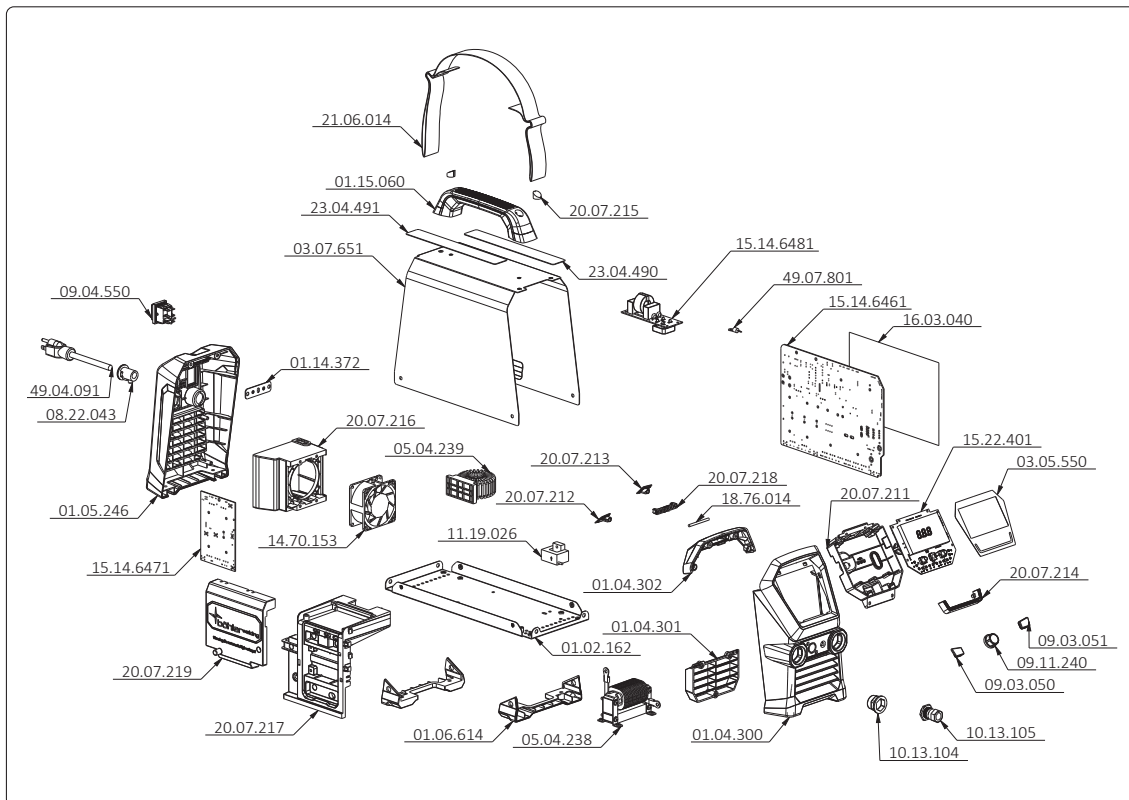
CORE 185 MMA 1x120V 1x230V (55.22.002)



ES

15. LISTA DE REPUESTOS

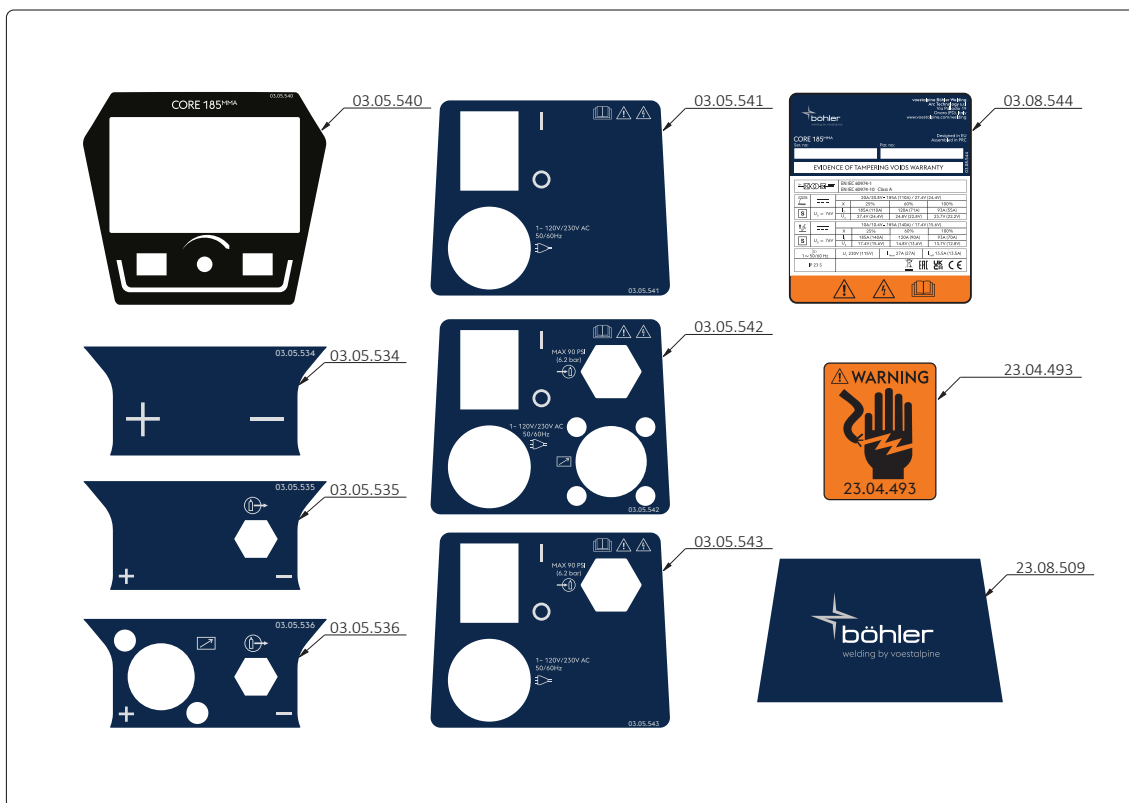
CORE 185 MMA 1x120V 1x230V (55.22.002)



CÓDIGO	DESCRIPCIÓN
01.02.162	Chapa inferior
01.04.300	Marco plástico frente
01.04.301	Taco plástico frontal
01.04.302	Taco plástico frontal
01.05.246	Marco plástico posterior
01.06.614	Marco plástico inferior
01.14.372	Barra de puesta a tierra
01.15.060	Mango
03.05.550	Placa mandos
03.07.651	Chapa fija
05.04.238	Inductancia
05.04.239	Inductancia
08.22.043	Racor para cable
09.03.050	Pulsador
09.03.051	Pulsador
09.04.550	Interruptor
09.11.240	Empuñadura
10.13.104	Soporte toma eléctrica
10.13.105	Base conector 50-70mm ²
11.19.026	Sensor hall
14.70.153	Ventilador
15.14.6461	Tarjeta electrónica
15.14.6471	Tarjeta electrónica

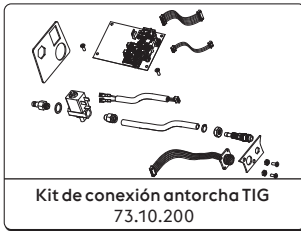
CÓDIGO	DESCRIPCIÓN
15.14.6481	Tarjeta electrónica
15.22.401	Panel de control
16.03.040	Hoja de aislamiento
18.76.014	Perno
20.07.211	Cubierta del panel mandos
20.07.212	Tapón frontal izquierdo
20.07.213	Tapón frontal derecho
20.07.214	Marco led frontal
20.07.215	Tapón
20.07.216	Soporte ventilador
20.07.217	Soporte tarjeta
20.07.218	Soporte
20.07.219	Cubierta pfc
21.06.014	Correa
23.04.490	Etiqueta parámetros electrodo
23.04.491	Etiqueta informativa
49.04.091	Cable alimentación 3.8m
49.07.801	Cableado

ES



CÓDIGO	DESCRIPCIÓN
03.08.544	Placa de características
03.05.534	Placa frontal
03.05.535	Placa frontal
03.05.536	Placa frontal
03.05.540	Placa frontal
03.05.541	Placa posterior
03.05.542	Placa posterior
03.05.543	Placa posterior
23.04.493	Etiqueta de señalización
23.08.509	Etiqueta lateral carcasa

16. ACCESORIOS



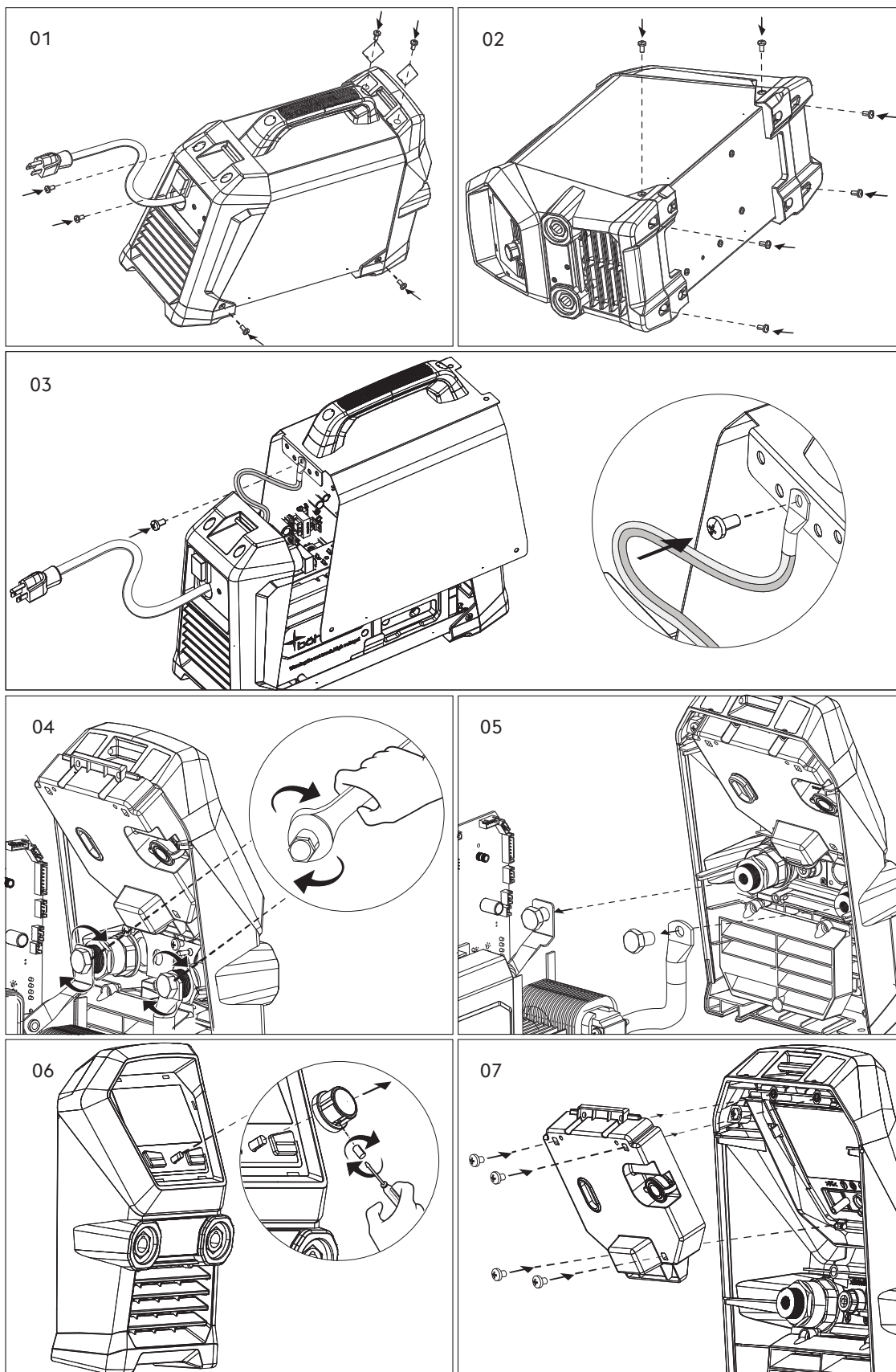
Consulte la sección "Instalación kit/accesorios".

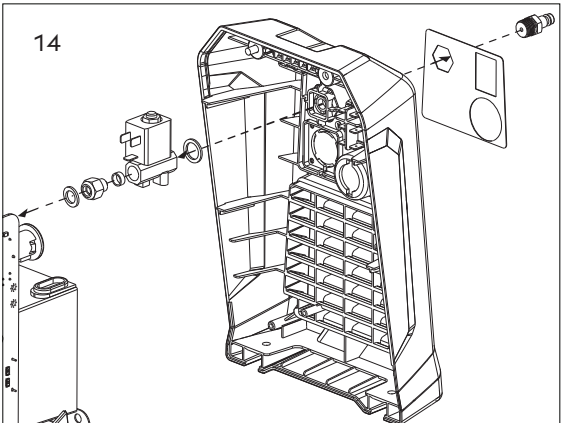
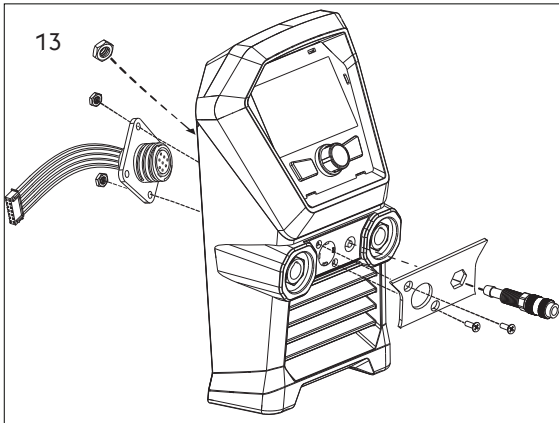
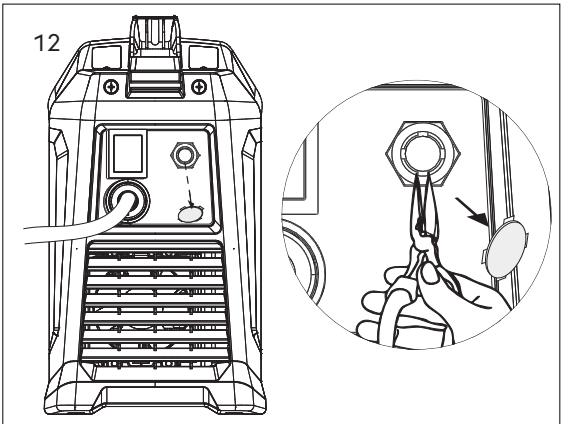
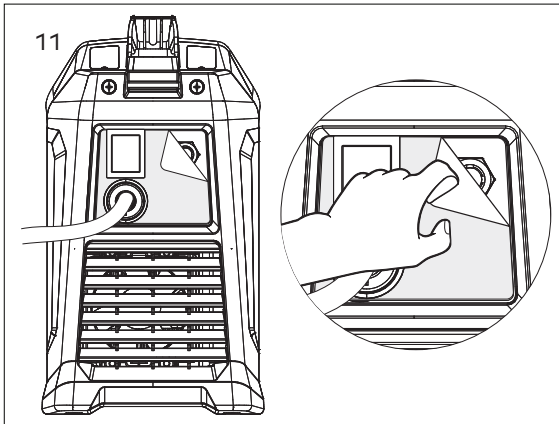
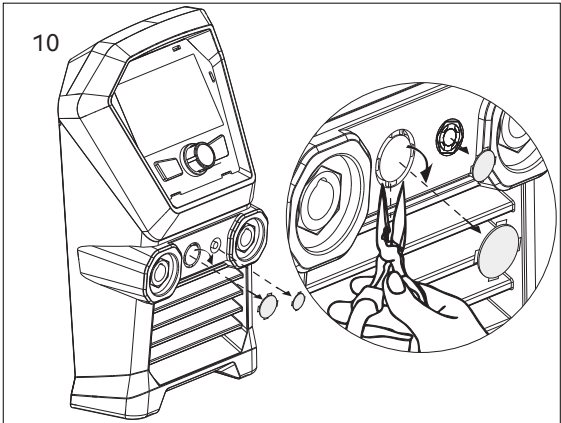
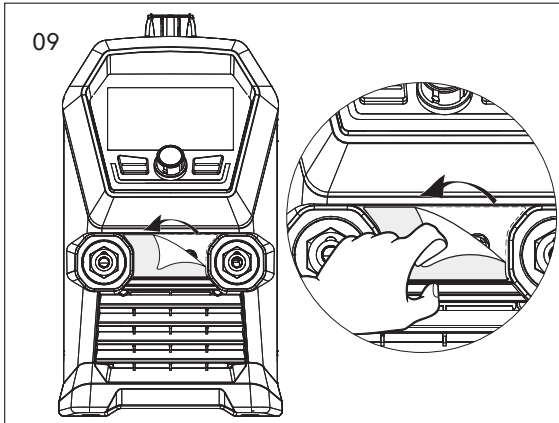
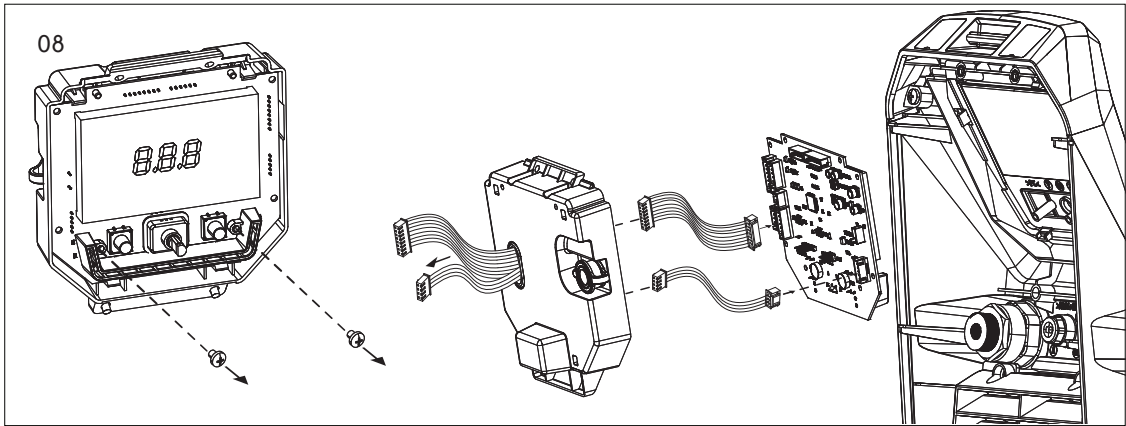
ES

17. INSTALACIÓN KIT/ACCESORIOS

73.10.200 Kit de conexión antorcha TIG

ES





ES

